

# ORECK<sup>®</sup> XL<sup>®</sup>

SIMPLY AMAZING<sup>®</sup>

## Service Parts List

### Upright Vacuum Cleaner Models



REV AK. Please disregard all earlier versions.

XL3600HH  
XL3600RH  
XL3610HH  
U3700HH  
U3710HH  
U3720HG  
U3720HR  
U3760HH  
XL3640HH  
U3640RH  
XL3800H2B  
XL3900H2B  
XL3910H2B  
U3980H2B  
U3990H2B

### SILVER SERIES UPRIGHTS

U3770HH  
U3771HH

Type 4, 5, 6 & 7

# Product Information

- Minimum water lift: 9 in. @ nozzle sealed suction
- Power consumption 120V/60Hz: 4.0 amps, 480 watts
- Weight: 8 lbs. without power cord
- Power cord rating - Domestic 18/2 SJT 105°C

# Data Label

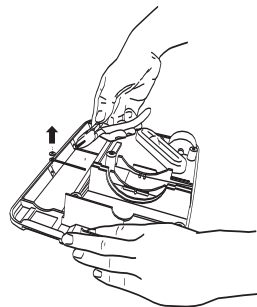


- Type Code:** Represents product service revision number.
- Type 4:** Initial production.
  - Type 5:** Improved lower tube.
  - Type 6:** Hardwire handle.
  - Type 7:** Improved baseplate with one-piece wireform.

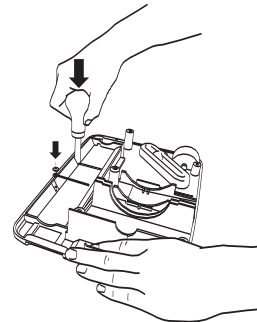
**Julian Date Code:**  
 Represents date of manufacture.  
 06 Represents the year.  
 095 Represents the day in that year.

# Service Information

- Component configuration on exploded view may differ in case of specific versions. However, the actual components are distinguished by means of item and part numbers.
- If a repair has been made, make sure that all functions of the appliance are working correctly.
- Spare parts have been standardized as much as possible and the part may not be the exact replacement part.
- Baseplate assemblies with one-piece wireform are interchangeable on Type 4-6 units.



To remove the retainer clips from the baseplate, using a pair of side cutting pliers, carefully cut the retainer clips away from the posts. Remove the retainer clips. Be careful not to damage the posts.



To replace the retainer clips, position the retainer clips on the posts with indentation facing downward. Use a 7/32" nut driver to force the retainer clips down. Retainer clip should fit firmly against wireform.

# TOOLS

Description	Order #			
Fan Housing Removal Tool (This tool is designed to assist in removing fan housing assembly from the motor.)	75377-01			
Strain Relief Pliers (This tool is designed to remove the cord retainer, part #33.)	75383-01			
Retainer Clip Tool ****Use 7/32" nut driver. (This tool is designed to assist in adding retainer clips, part #77, to baseplate.)	75485-01	NLA		

# STANDARD FASTENER HARDWARE LISTING

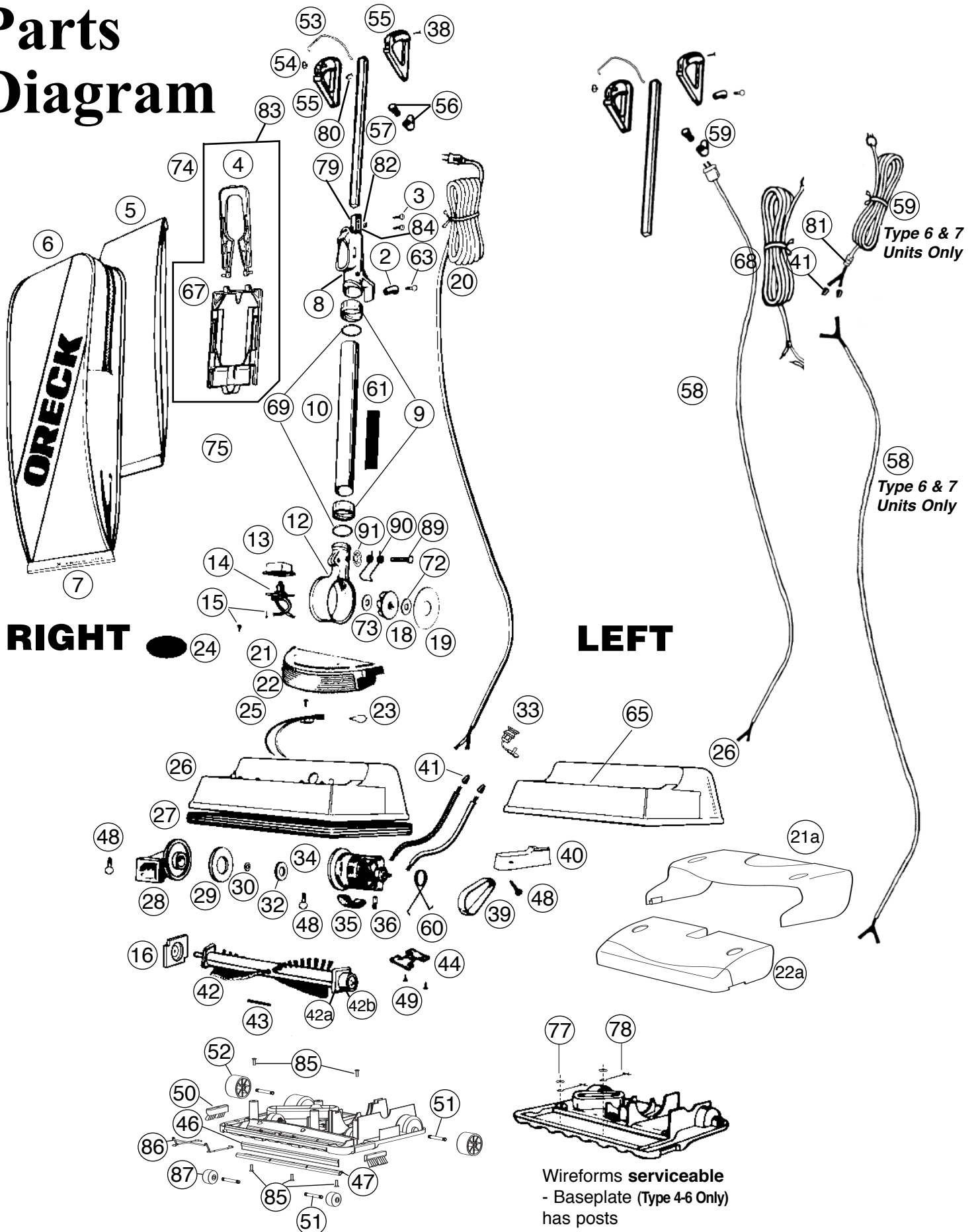
## Fasteners Fit Uprights Listed in Service Manual

#	FASTENER DESCRIPTION	FASTENER PART NO.	PART THAT FASTENER IS USED ON	QTY REQ'D	TORQUE RANGE (in/lb)	QTY PER PKG.
2	Cord Clamp	03-00619-01M		1	n/a	100
3	Screw, #8 - 32 x .440 Nylock Screw, #8 x .811 w/ Int Washer	03-00478-02M	Handle Tube	2	18 - 22	100
		03-00608-01M	Handle Tube w/Through Bolt	1	18 - 22	100
	Screw, #8-32 X .545 w/ Washer Screw, #8 - 32 x 29/32 w/ Washer	03-00504-02M	Handle Brace	2	18 - 22	100
		03-00605-01M	Handle Brace w/Through Bolt	1	18 - 22	100
15	Screw, #8 - 10 x 1.25 Plt 30	03751M	Headlight Cover			
15	Screw, #8 X .5 Phillips	03752-01M	Bulb Holder, Foot Switch, Cable Clamp	2/2 1	13 - 16	100
30	1/4 X 32 Yellow Chrome	03-00448-01M	Fan	1	18 - 20	100
38	Screw, #8 X .75 Phillips Screw, #8 x .75	03-00456-01M	D-Handle (small head)	4	17 - 20	100
		03-00476-01M	D-Handle <b>Type 6 Only</b>	6	17 - 20	100
41	Wire Nut	03-00599-01M		as req'd	35 - 55	100
48	Screw, #8 x .75 Phillips	03-00476-01M	Baseplate, Belt Door, Intake Pivot, Motor	5 / 1 / 1	13 - 16	100
				2	17 - 20	100
49	Screw, #7 X .38 Phillips	03-00475-01M	Edge Brush <b>Type 4-6 Only</b> , Detent Silver Series Fascia & Bulb Holder	2 / 2	5 - 8	100
				2 / 2	5 - 8	100
63	Screw, #10 x .5 Phillips	03-00450-01M	Cord Bracket	1	13 - 16	100
69	O-Ring	75191-02M	Collar	2	n/a	100
72	Washer, Thrust	03-00479-01M	Fan	1	n/a	100
73	Washer, Lock External Tooth	03-00480-01M	Fan	1	n/a	100
74	1" x 3", Loop Fastener	75304-01M	Bag Support	1	n/a	100
75	1" x 1", Hook Fastener	75303-01M	Bag Dock	2	n/a	100
77	Retainer Clip	03528M	Baseplate <b>Type 4-6 Serviceable</b>	2	n/a	100
78	Wireform	75194-03M	Baseplate <b>Type 4-6 Serviceable</b>	2	n/a	100
80	Steel Bushing Ring	03-00598-01M	D-Handle	1	n/a	100
84	Nut, Square	03-00606-01M	Connector	1	n/a	100
85	Screw, #6-20 x 7/16 Flat Undercut	03-00626-01M	Corner Brush, Channel <b>Type 7 Only</b>	2 / 3	6 - 8	100
86	Wireform, One-Piece	75698-01	Baseplate <b>Type 7 Only</b>	1	n/a	1
88	JST Insulator	75679-01M	Harness	1	n/a	100
89	Rivet	03-00453-01M	Fan Housing	1	n/a	100
90	Bag Spring	75015-01M	Fan Housing	1	n/a	100
91	Push Nut	03-00636-01M	Fan Housing	1	n/a	100

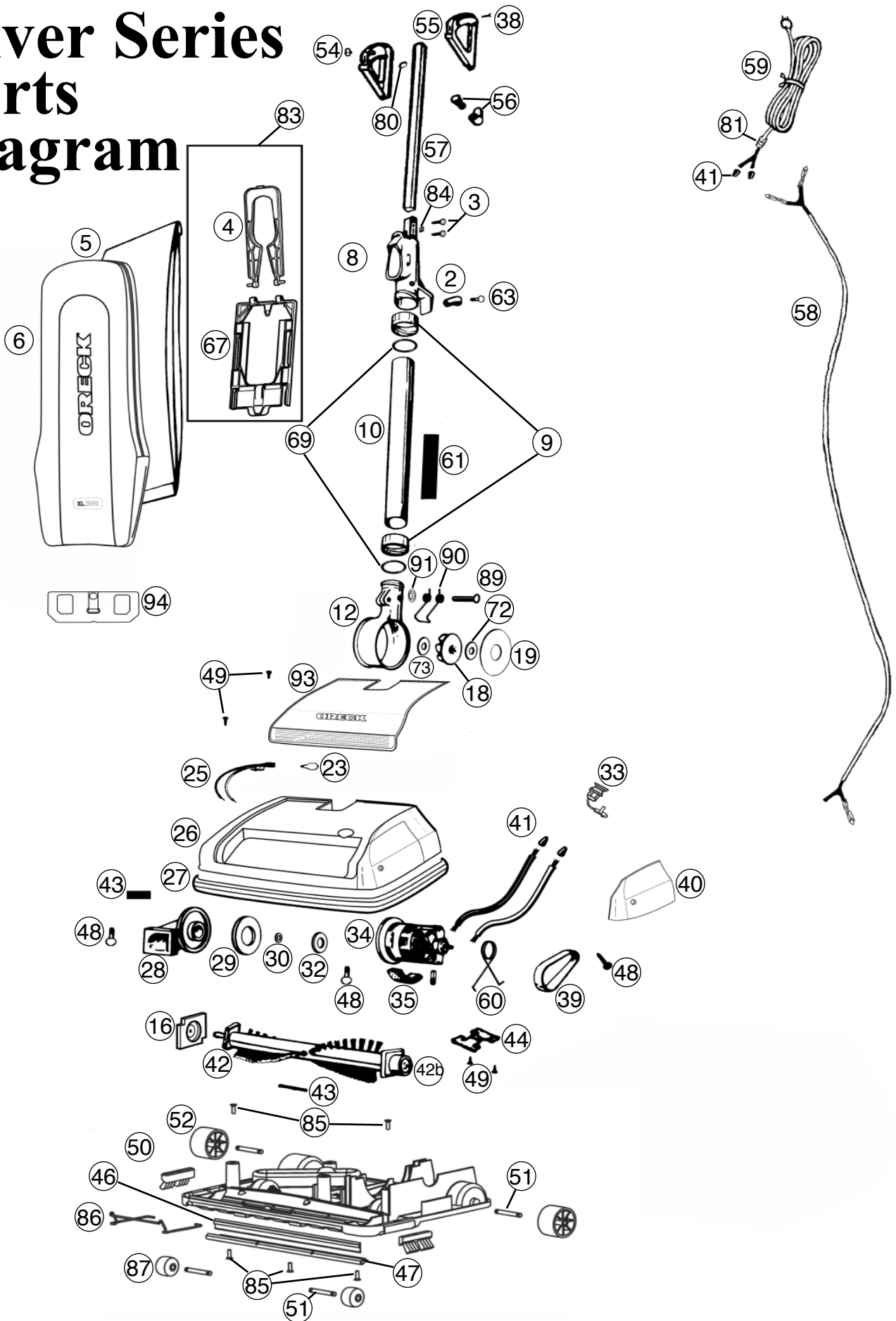
## STANDARD PARTS

Kit Number	Description			
09-75505-01	Kit, Motor			
75086-01	Leads, Red			
75086-02	Leads, White		NLA	NLA
75506-01	Leads, Green			
03-00474-01M	100pc. Edge Brush Axle Kit, Pin, .125 x .5			
75338-01	20pc. Edge Brush Wheel Kit			

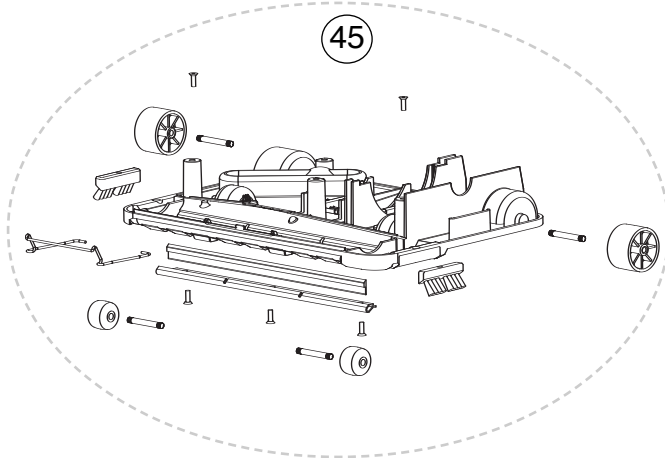
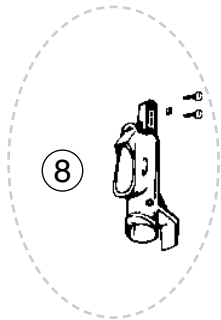
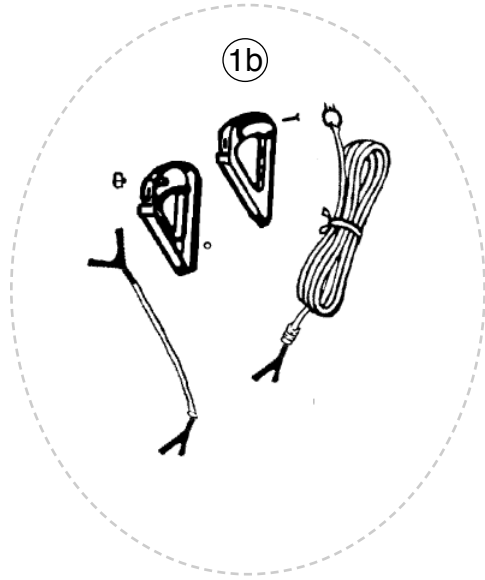
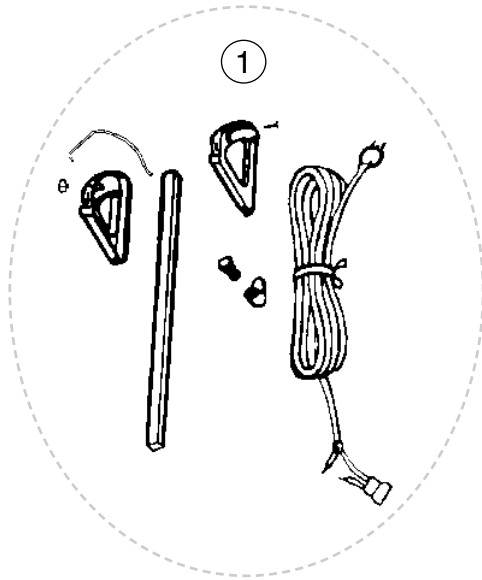
# Parts Diagram



# Silver Series Parts Diagram



# Parts Assemblies



**Part Numbers Listing: XL3600HH / XL3600RH / XL3610HH / U3700HH / U3710HH**

**Hypo Bag, Lights, Helping Hand Handle**

#	Item	Order #	Qty.	Pk.			
1	<b>XL3600HH / XL3600RH:</b> Handle Assembly, <i>includes items #38, #53, #54, #55, #56, #57, #59 Type 4 &amp; 5 Units Only</i>	09-75288-16	1	1			
	<b>XL3610HH:</b> Handle Assembly, <i>includes items #38, #53, #54, #55, #56, #57, #59 Type 4 &amp; 5 Units Only</i>	09-75288-17	1	1			
1b	Kit, Retro, Handle Assembly, Residential, White, <i>includes items #38, #54, #55, #58, #59, #80, #81 Type 4 &amp; 5 Units Only</i>	09-75612-01	1	1			
4	Docking Clip, Rear, Type CC (use w/#67 or order #83)	75583-03-0000	1	1			
5	Dust Bag, (8 Pk.) Hypo Allergenic	CCPK8DW	1	8			
	Dust Bag, (25 Pk.) Hypo Allergenic	CCPK25DW	1	25			
6	<b>XL3600HH / XL3610HH:</b> Outer Bag, Lt. Gray, Black, Dark Gray	75246-10	1	1			
	<b>XL3600RH:</b> Outer Bag, Dk Gray, Gold Anniversary	75246-29	1	1			
	<b>U3700HH / U3710HH:</b> Outer Bag, Lt Gray, Blue, Silver Plus	75645-03	1	1			
7	<b>XL3600HH / XL3600RH:</b> Bag Clip, White w/Gold	09-75078-17	1	1			
	<b>XL3610HH:</b> Bag Clip, White w/Black	09-75078-05	1	1			
	<b>U3700HH:</b> Bag Clip, White w/Blue	09-75078-21	1	1			
	<b>U3710HH:</b> Bag Clip, White w/Silver	09-75078-22	1	1			
8	Connector Assembly Kit, <i>includes items #3 &amp; #84</i>	09-75308-57	1	1			
9	Collar	75309-02-0327	2	1			
10	Tube Assembly <i>Type 4 Units Only</i>	75188-01	1	1			
	Tube Assembly <i>Type 5, 6 &amp; 7 Units Only</i>	75198-05	1	1			
12	Fan Housing Assembly <i>includes Rivet &amp; Spring</i>	09-75343-03	1	1			
16	<b>XL3600HH / XL3600RH / XL3610HH:</b> End Cap, Plastic Pulley Brush Roll	0134623	1	1			
	<b>U3700HH / U3710HH:</b> Endcard, Metal Pulley Brush, Rt	75704-01	1	1			
18	METAXALLOY™ Fan Kit w/Washers	09-75300-01	1	1			
19	Fan Cup Seal	75012-01	1	1			
20	Cord Set	<i>see #59</i>					
21	Lamp Housing, White	75521-01-0431	1	1			
22	Lens	75520-02-455	1	1			
23	Bulb	00965-0019	2	1			
24	<b>XL3600HH / XL3600RH / XL3610HH:</b> Badge Decal, Gold	73020-01	1	1			
	<b>U3700HH / U3710HH:</b> Badge Decal, Blue	73020-03	1	1			
25	Lamp Holder	75539-01	1	1			
26	Housing, White	09-75780-11	1	1			
27	Bumper, White	75181-03	1	1			
28	Intake Pivot Assembly, <i>with Felt Seal</i>	09-75066-02	1	1			
29	Felt Seal	75065-01	1	1			
32	Felt Seal, Motor	75117-01M	1	100			
33	Cord Retainer, Square	03-00655-01	1	1			
34	Motor Assembly Kit	09-75505-01	1	1			
35	Motor Seal	75095-01	2	1			
36	Kit, Motor Brush / Spring	09-75514-01	2	2			
39	Drive Belt, (3 Pk.)	0300604	1	3			
39a	Drive Belt, Single	75024-01	1	1			
40	Door Belt, White	75057-01-0431	1	1			

**Part Numbers Listing: XL3600HH / XL3600RH / XL3610HH / U3700HH / U3710HH cont.**  
Hypo Bag, Lights, Helping Hand Handle

#	Item	Order #	Qty.	Pk.			
42	<b>XL3600RH / XL3610HH:</b> Brush Roll, Plastic Pulley	75202-01	1	1			
	<b>XL3600HH / U3700HH / U3710HH:</b> Brush Roll, Metal Pulley	75104-02	1	1			
42a	<b>XL3600HH / U3700HH / U3710HH:</b> Endcard, Metal Pulley Side, Lft	75705-01	1	1			
42b	<b>XL3600HH / U3700HH / U3710HH:</b> Pulley, Metal (For Brushroll)	75706-01	1	1			
43	Seal, Baseplate	75008-01	1	1			
44	Plastic Detent, (uses 2 #49 screws)	75299-01	1	1			
45	Complete Baseplate Assembly <i>includes: #43, #46, #47, #50, #51, #52, #85, #86, #87</i>	09-75715-01	1	1			
46	MICRO SWEEP Blade <b>Type 4, 5 &amp; 6 Units Only</b>	75009-01	1	1			
	MICRO SWEEP Blade <b>Type 7 Units Only</b>	75700-02	1	1			
47	Channel <b>Type 4, 5 &amp; 6 Units Only</b>	75007-02	1	1			
	Channel <b>Type 7 Units Only</b>	75701-01	1	1			
50	Edge Brush w/Wheels, Left <b>Type 4, 5 &amp; 6 Units Only</b>	09-75249-02	1	1			
	Edge Brush w/Wheels, Right <b>Type 4, 5 &amp; 6 Units Only</b>	09-75250-02	1	1			
	Edge Brush w/o Wheels, Left & Right	75766-02	2	1			
51	Wheel Axle	03-00630-01M	2/4*	100			
52	Soft Rear Wheel, Black	75187-02-0327	2	1			
53	Static Wire <b>Type 4 &amp; 5 Units Only</b>	75037-01	1	1			
54	Lighted 2 position Switch Kit <b>Type 4 &amp; 5 Units Only</b>	09-75523-01	1	1			
	Switch, 2 Position Assembly, Lighted <b>Type 6 &amp; 7 Units Only</b>	75523-03	1	1			
55	Grips, White Set <b>Type 4 &amp; 5 Units Only</b>	09-75301-19	1	1			
	Grips, White Set <b>Type 6 &amp; 7 Units Only</b>	09-75576-19	1	1			
56	Cord Wrap Assembly w/Post and Cord Wrap	09-75185-05	1	1			
57	<b>XL3600HH / XL3600RH / U3700HH:</b> Handle Tube, Chrome	75190-03	1	1			
	<b>XL3610HH / U3710HH:</b> Handle Tube, Black	75190-04	1	1			
58	Cord, Harness Assembly, White <b>Type 4 &amp; 5 Units Only</b>	75081-01	1	1			
	Cord, Harness Assembly, White <b>Type 6 &amp; 7 Units Only</b>	75600-02-328	1	1			
59	Cord Set, White <b>Type 4 &amp; 5 Units Only</b>	75522-01-328	1	1			
	Cord Set, White w/ #81 <b>Type 6 &amp; 7 Units Only</b>	75556-02-328	1	1			
60	Motor Spring	75283-01	2	1			
61	Tube Label	75087-05	1	1			
67	Bag Dock Hinge, Type CC (use w/#4 or order #83)	75582-03-0000	1	1			
68	Receptacle <b>Type 4 &amp; 5 Units Only</b>	75524-01	1	1			
	User's Manual	75416-05	1	1			
	Magnet Clean Vacuum Protector	MC4BK	1	1			
79	Stiffener (uses same length screws, notched)	75189-02	1	1			
	Stiffener, Through Bolt Connector (uses different length screws)	75619-01	1	1			
81	Cord Flex Relief <b>Type 6 &amp; 7 Units Only</b>	03-00600-01	1	1			
83	Kit, Bag Dock, <i>includes items #4 &amp; #67</i>	09-75657-01	1	1			
87	Front Wheel <b>Type 7 Units Only</b>	75709-01	2	1			

**\*Type 7 Units**



## SILVER SERIES UPRIGHTS

### Part Numbers Listing: U3770HH, U3771HH

Hypo Bag, Lights, Helping Hand Handle, Antimicrobial Units

#	Item	Order #	Qty.	Pk.			
4	Bag Dock Type CC Antimicrobial	75582-02-0327	1	1			
5	Dust Bag, (8 Pk.) Hypo Allergenic	CCPK8DW	1	8			
	Dust Bag, (25 Pk.) Hypo Allergenic	CCPK25DW	1	25			
6	Outer Bag, Antimicrobial <b>U3771HH:</b> Outer Bag, Antimicrobial	76062-01 76062-07	1 1	1 1			
8	Connector Assembly Kit, <i>includes items #3 &amp; #84</i>	09-75308-57	1	1			
9	Collar Modified	75199-02-0327	2	1			
10	Tube Assembly	75198-05	1	1			
12	Fan Housing Assembly	09-75221-12	1	1			
16	Endcard, Metal Pulley Brush, Rt	75704-01	1	1			
18	METAXALLOY™ Fan Kit w/Washers	09-75300-01	1	1			
19	Fan Cup Seal	75012-01	1	1			
20	Cord Set	<i>see #59</i>					
23	Bulb Headlight	77051-01	2	1			
25	Lamp Holder	75539-01	1	1			
26	Top Cover, Belt Door Assembly, Antimicrobial <b>U3771HH:</b> Top Cover, Belt Door Assembly, Antimicrobial	09-76032-01 09-76032-04	1 1	1 1			
27	Bumper, Clear Antimicrobial	75765-01	1	1			
28	Intake Pivot Assembly, <i>with Felt Seal</i>	09-75066-02	1	1			
29	Felt Seal	75065-01	1	1			
32	Felt Seal, Motor	75117-01M	1	100			
33	Cord Retainer, Square	03-00655-01	1	1			
34	Motor Assembly Kit	09-75505-01	1	1			
35	Motor Seal	75095-01	2	1			
36	Kit, Motor Brush / Spring	09-75514-01	2	2			
39	Drive Belt, (3 Pk.)	0300604	1	3			
39a	Drive Belt, Single	75024-01	1	1			
40	Belt Door, Antimicrobial <b>U3771HH:</b> Belt Door, Antimicrobial	76002-01-470 76002-01-474	1 1	1 1			
42	Brushroll, Silver ION	75202-03	1	1			
42b	Pulley, Metal (For Brushroll)	75706-01	1	1			
43	Seal, Baseplate	75008-01	2	1			
44	Plastic Detent, (uses 2 #49 screws)	75299-01	1	1			
45	Complete Baseplate Assembly <i>includes: #43, #46, #47, #50, #51, #52, #85, #86, #87</i> Antimicrobial	09-75715-07	1	1			
46	MICRO SWEEP Blade	75700-02	1	1			
47	Channel	75701-01	1	1			
50	Edge Brush Silver	75766-03	2	1			
51	Wheel Axle	03-00630-01M	2/4*	100			
52	Soft Rear Wheel, Black	75187-02-0327	2	1			
54	Single Speed Switch	75559-01	1	1			
55	Grip Set, Lt Gray Antimicrobial <b>U3771HH:</b> Grip Set, Burnt Orange, Antimicrobial	09-75576-38 09-75576-40	1 1	1 1			

**SILVER SERIES UPRIGHTS**

**Part Numbers Listing: U3770HH, U3771HH**

Hypo Bag, Lights, Helping Hand Handle, Antimicrobial Units

#	Item	Order #	Qty.	Pk.			
56	Cord Wrap Assembly, Lt Gray <b>U3771HH:</b> Cord Wrap Assembly, Burnt Orange	09-75185-24 09-75185-25	1 1	1 1			
57	Handle Tube, Chrome	75190-03	1	1			
58	Cord, Harness Assembly, White	75600-02-328	1	1			
59	Cord Set	75556-02-328	1	1			
60	Motor Spring	75283-01	2	1			
61	Tube Label	75087-05	1	1			
67	Bag Dock Hinge, Black Antimicrobial	75582-02-0327	1	1			
	User's Manual	N/A	1	1			
81	Cord Flex Relief	03-00600-01	1	1			
83	Kit, Bag Dock, <i>includes items #4 &amp; #67 Antimicrobial</i>	09-75657-02	1	1			
87	Front Wheel	75709-01	2	1			
93	Fascia Delux w/ Logo <b>U3771HH:</b> Fascia Delux w/Logo	76001-01 76001-04	1 1	1 1			
94	Bag Stiffener with Strap	09-76034-01	1	1			

**Part Numbers Listing: U3760HH / U3720HG / U3720HR**  
Hypo Bag, Lights, Helping Hand Handle, Antimicrobial Units

#	Item	Order #	Qty.	Pk.			
4	Bag Dock Type CC Antimicrobial	75582-02-0327	1	1			
5	Dust Bag, (8 Pk.) Hypo Allergenic	CCPK8DW	1	8			
	Dust Bag, (25 Pk.) Hypo Allergenic	CCPK25DW	1	25			
6	Outer Bag, Blue Antimicrobial	75645-19	1	1			
	<b>U3720HG:</b> Outer Bag, Gray Antimicrobial	75645-26	1	1			
	<b>U3720HR:</b> Outer Bag, Red Antimicrobial	75645-27	1	1			
7	Bag Clip Curved Antimicrobial	09-75776-01	1	1			
	<b>U3720HG:</b> Bag clip curved gray	09-75594-11	1	1			
	<b>U3720HR:</b> Bag clip curved red	09-75594-06	1	1			
8	Connector Assembly Kit, <i>includes items #3 &amp; #84</i>	09-75308-57	1	1			
9	Collar Modified	75199-02-0327	2	1			
10	Tube Assembly	75198-05	1	1			
12	Fan Housing Assembly	09-75221-12	1	1			
16	Endcard, Metal Pulley Brush, Rt	75704-01	1	1			
18	METAXALLOY™ Fan Kit w/Washers	09-75300-01	1	1			
19	Fan Cup Seal	75012-01	1	1			
20	Cord Set	<i>see #59</i>					
21	<b>U3720HG:</b> Lamp Housing Gray Antimicrobial	75521-02-0384	1	1			
	<b>U3720HR:</b> Lamp Housing Red Antimicrobial	75521-02-444	1	1			
21a	Low Profile Lamp Housing Blue Antimicrobial	75763-01-466	1	1			
22	<b>U3720HG / U3720HG:</b> Lense clear blue	75520-02-455	1	1			
22a	Lens, Low Profile Light Antimicrobial	75762-01-0329	1	1			
23	Bulb Headlight	77051-01	2	1			
	<b>U3720HG / U3720HG:</b> Bulb Headlight	00965-0019	2	1			
24	Label, XL Dome Blue on Silver	75772-02	1	1			
	<b>U3720HG / U3720HG:</b> Label Badge Black on Silver	73020-04	1	1			
25	Lamp Holder	75539-01	1	1			
26	<b>U3760HH:</b> Top Cover, Blue, Antimicrobial	09-75780-30	1	1			
	<b>U3720HG:</b> Top Cover, Gray, Antimicrobial	09-75780-38	1	1			
	<b>U3720HR:</b> Top Cover, Red, Antimicrobial	09-75780-31	1	1			
27	Bumper, Clear Antimicrobial	75765-01	1	1			
	<b>U3720HG / U3720HG:</b> Bumper Clear with Blue Tint	75181-04	1	1			
28	Intake Pivot Assembly, <i>with Felt Seal</i>	09-75066-02	1	1			
29	Felt Seal	75065-01	1	1			
32	Felt Seal, Motor	75117-01M	1	100			
33	Cord Retainer, Square	03-00655-01	1	1			
34	Motor Assembly Kit	09-75505-01	1	1			
35	Motor Seal	75095-01	2	1			
36	Kit, Motor Brush / Spring	09-75514-01	2	2			
39	Drive Belt, (3 Pk.)	0300604	1	3			
39a	Drive Belt, Single	75024-01	1	1			
40	<b>U3760HH:</b> Belt Door Blue, Antimicrobial	75057-03-466	1	1			
	<b>U3720HG:</b> Belt Door, Gray, Antimicrobial	75057-03-0384	1	1			
	<b>U3720HR:</b> Belt Door, Red, Antimicrobial	75057-02-444	1	1			

**Part Numbers Listing: U3760HH / U3720HG / U3720HR**  
Hypo Bag, Lights, Helping Hand Handle, Antimicrobial Units

#	Item	Order #	Qty.	Pk.			
42	Brushroll, Silver ION	75202-03	1	1			
	<b>U3720HG / U3720HR:</b> Brushroll	75104-02	1	1			
42b	Pulley, Metal (For Brushroll)	75706-01	1	1			
43	Seal, Baseplate	75008-01	1	1			
44	Plastic Detent, (uses 2 #49 screws)	75299-01	1	1			
45	Complete Baseplate Assembly <i>includes: #43, #46, #47, #50, #51, #52, #85, #86, #87</i> Antimicrobial	09-75715-56	1	1			
46	MICRO SWEEP Blade	75700-02	1	1			
47	Channel	75701-01	1	1			
50	Edge Brush Silver ION	75766-01	2	1			
	<b>U3720HG / U3720HR:</b> Edge Brush	75766-02	2	1			
51	Wheel Axle	03-00630-01M	2/4*	100			
52	Soft Rear Wheel, Black	75187-02-0327	2	1			
54	Switch, 2 Position Assembly, Lighted	75523-03	1	1			
	<b>U3720HG / U3720HR:</b> Single Speed Switch	75559-01	1	1			
55	<b>U3760HH:</b> Grip Set, Blue Antimicrobial	09-75576-37	1	1			
	<b>U3720HG:</b> Grip Set Gray Antimicrobial	09-75562-62	1	1			
	<b>U3720HR:</b> Grip Set Red Antimicrobial	09-75562-63	1	1			
56	<b>U3760HH:</b> Cord Wrap Assembly, Black	09-75185-15	1	1			
	<b>U3720HG:</b> Cord Wrap Assembly, Gray	09-75185-21	1	1			
	<b>U3720HR:</b> Cord Wrap Assembly, Red	09-75185-18	1	1			
57	Handle Tube, Chrome	75190-03	1	1			
58	Cord, Harness Assembly, White	75600-02-328	1	1			
59	<b>U3760HH:</b> Cord Set, White w/ #81	75556-02-328	1	1			
	<b>U3720HG / U3720HR:</b> Cord, Harness Assembly, White	75556-03-328	1	1			
60	Motor Spring	75283-01	2	1			
61	Tube Label	75087-05	1	1			
67	Bag Dock Hinge, Black Antimicrobial	75582-02-0327	1	1			
	User's Manual	75416-05	1	1			
	Magnet Clean Vacuum Protector	MC4BK	1	1			
79	Stiffener, Through Bolt Connector (uses different length screws)	75619-01	1	1			
81	Cord Flex Relief	03-00600-01	1	1			
83	Kit, Bag Dock, <i>includes items #4 &amp; #67</i> Antimicrobial	09-75657-02	1	1			
87	Front Wheel	75709-01	2	1			
92	Odorfighter Patch 3 pack (not shown)	ODOR3PK	3	1			
	Odorfighter Patch 25 pack (not shown)	ODOR25PK	25	1			

**\*Type 7 Units**

**Part Numbers Listing: XL3640HH / U3640RH / XL3800H2B / XL3900H2B / XL3910H2B / U3980H2B / U3990H2B**  
Hypo Bag, Lights, Helping Hand Handle

#	Item	Order #	Qty.	Pk.			
1	Handle Assembly, <i>Includes items #38, #53, #54, #55, #56, #57, #59</i> <b>Type 4 &amp; 5 Units Only</b>	09-75288-02	1	1			
1b	Kit, Retro, Handle Assembly, Residential, White, includes items #38, #54, #55, #58, #59, #80, #81 <b>Type 4 &amp; 5 Units Only</b>	09-75612-01	1	1			
4	Docking Clip, Rear, Type CC (use w/#67 or order #83)	75583-03-0000	1	1			
5	Dust Bag, (8 Pk.) Hypo Allergenic	CCPK8DW	1	8			
	Dust Bag, (25 Pk.) Hypo Allergenic	CCPK25DW	1	25			
6	<b>XL3640HH / XL3910H2B / U3990H2B:</b> Outer Bag, Lt. Gray, Black, White Plus	75645-01	1	1			
	<b>U3640RH:</b> Outer Bag, Dark Gray, Black, Dark Gray	75246-11	1	1			
	<b>XL3800H2B:</b> Outer Bag, Lt. Gray, Blk, Dark Gray	75246-10	1	1			
	<b>XL3900H2B / U3980H2B:</b> Outer Bag, Lt. Gray, Gold XL <sup>2</sup> Ultra	75246-31	1	1			
7	<b>XL3640HH / U3640RH:</b> Bag Clip, Curved, Black w/White, Front	09-75594-02	1	1			
	<b>XL3800H2B:</b> Bag Clip, Black w/Silver	09-75078-06	1	1			
	<b>XL3900H2B / XL3910H2B / U3980H2B / U3990H2B:</b> Bag Clip, Black w/Gold	09-75078-19	1	1			
	<b>XL3900H2B / XL3910H2B / U3980H2B / U3990H2B:</b> Bag Clip, Curved, Black w/Gold, Front	09-75594-01	1	1			
	<b>XL3640HH / U3640RH / XL3900H2B / XL3910H2B / U3980H2B / U3990H2B:</b> Bag Clip, Curved, Black, Rear	75593-01-0327	1	1			
8	Connector Assembly Kit, <i>includes items #3 &amp; #84</i>	09-75308-57	1	1			
9	Collar	75309-02-0327	2	1			
10	Tube Assembly <b>Type 4 Units Only</b>	75188-01	1	1			
	Tube Assembly <b>Type 5, 6 &amp; 7 Units Only</b>	75198-05	1	1			
12	Fan Housing Assembly <i>includes Rivet &amp; Spring</i>	09-75343-03	1	1			
16	<b>XL3800H2B / XL3900H2B / U3980H2B:</b> End Cap, Plastic Pulley Brush Roll	0134623	1	1			
	<b>XL3640HH / U3640RH / XL3910H2B / U3990H2B:</b> Endcard, Metal Pulley Brush, Rt	75704-01	1	1			
18	METAXALLOY™ Fan Kit w/Washers	09-75300-01	1	1			
19	Fan Cup Seal	75012-01	1	1			
20	Cord Set	see #59					
21	Lamp Housing, Black	75521-01-0327	1	1			
22	Lens	75520-02-455	1	1			
23	Bulb	00965-0019	2	1			
24	<b>XL3640HH / U3640RH / XL3800H2B:</b> Badge Decal, Silver	73020-02	1	1			
	<b>XL3900H2B / XL3910H2B / U3980H2B / U3990H2B:</b> Badge Decal, Gold	73020-01	1	1			
25	Lamp Holder	75539-01	1	1			
26	Housing, Black	09-75780-17	1	1			
27	<b>XL3800H2B:</b> Bumper, White	75181-03	1	1			
	<b>XL3640HH / U3640RH / XL3900H2B / XL3910H2B / U3980H2B / U3990H2B:</b> Bumper, Clear	75181-04	1	1			
28	Intake Pivot Assembly <i>with Felt Seal</i>	09-75066-02	1	1			
29	Felt Seal	75065-01	1	1			
32	Felt Seal, Motor	75117-01M	1	100			
33	Cord Retainer, Square	03-00655-01	1	1			
34	Motor Assembly Kit	09-75505-01	1	1			
35	Motor Seal	75095-01	2	1			

**Part Numbers Listing: XL3640HH / U3640RH / XL3800H2B / XL3900H2B / XL3910H2B / U3980H2B / U3990H2B cont.**  
Hypo bag, lights, Helping Hand handle

#	Item	Order #	Qty.	Pk.			
36	Kit, Motor Brush / Spring	09-75514-01	2	2			
39	Drive Belt, (3 Pk.)	0300604	1	3			
39a	Drive Belt, Single	75024-01	1	1			
40	Door Belt, Black	75057-01-0327	1	1			
42	<b>XL3800H2B / XL3900H2B:</b> Brush Roll, Plastic Pulley	75202-01	1	1			
	<b>XL3640HH / U3640RH / XL3910H2B / U3980H2B / U3990H2B:</b> Brush Roll, Metal Pulley	75104-02	1	1			
42a	<b>XL3640HH / U3640RH / XL3910H2B / U3980H2B / U3990H2B:</b> Endcard, Metal Pulley Side, Lft	75705-01	1	1			
42b	<b>XL3640HH / U3640RH / XL3910H2B / U3980H2B / U3990H2B:</b> Brush Roll Pulley, Metal	75706-01	1	1			
43	Seal, Baseplate	75008-01	1	1			
44	Plastic Detent, (uses 2 #49 screws)	75299-01	1	1			
45	Complete Baseplate Assembly <i>includes: #43, #46, #47, #50, #51, #52, #85, #86, #87</i>	09-75715-01	1	1			
46	MICRO SWEEP Blade <b>Type 4, 5 &amp; 6 Units Only</b>	75009-01	1	1			
	MICRO SWEEP Blade <b>Type 7 Units Only</b>	75700-02	1	1			
47	Channel <b>Type 4, 5 &amp; 6 Units Only</b>	75007-02	1	1			
	Channel <b>Type 7 Units Only</b>	75701-01	1	1			
50	Edge Brush w/Wheels, Left <b>Type 4, 5 &amp; 6 Units Only</b>	09-75249-02	1	1			
	Edge Brush w/Wheels, Right <b>Type 4, 5 &amp; 6 Units Only</b>	09-75250-02	1	1			
	Edge Brush w/o Wheels, Left & Right	75766-02	2	1			
51	Wheel Axle	03-00630-01M	2/4*	100			
52	Soft Rear Wheel, Black	75187-02-0327	2	1			
53	Static Wire <b>Type 4 &amp; 5 Units Only</b>	75037-01	1	1			
54	<b>XL3640HH / U3640RH:</b> Switch, 2 Position Assembly, Lighted	75523-03	1	1			
	Switch, 3 Position Assembly w/Diode <b>Type 4 &amp; 5 Units Only</b>	75320-01	1	1			
	Switch, 3 Position Assembly w/Diode <b>Type 6 &amp; 7 Units Only</b>	75585-01	1	1			
55	Grips, Black Set <b>Type 4 &amp; 5 Units Only</b>	09-75301-02	1	1			
	Grips, Black Set <b>Type 6 &amp; 7 Units Only</b>	09-75576-02	1	1			
56	Cord Wrap Assembly w/Post and Cord Wrap	09-75185-01	1	1			
57	<b>XL3640HH / U3640RH / XL3800H2B / XL3900H2B / U3980H2B:</b> Handle Tube, Chrome	75190-03	1	1			
	<b>XL3910H2B / U3990H2B:</b> Handle Tube, Black	75190-04	1	1			
58	<b>XL3640HH / U3640RH:</b> Cord, Harness Assembly, Black	75600-02-327	1	1			
	Cord, Harness Assembly, Black <b>Type 4 &amp; 5 Units Only</b>	75081-02	1	1			
	Cord, Harness Assembly, Black <b>Type 6 &amp; 7 Units Only</b>	75552-02-327	1	1			
59	Cord Set, Black <b>Type 4 &amp; 5 Units Only</b>	75292-01-327	1	1			
	Cord Set, Black w/ #81 <b>Type 6 &amp; 7 Units Only</b>	75556-02-327	1	1			
60	Motor Spring	75283-01	2	1			
61	Tube Label	75087-05	1	1			
67	Bag Dock Hinge, Type CC (use w/#4 or order #83)	75582-03-0000	1	1			
	User's Manual	75416-05	1	1			
	Magnet Clean Vacuum Protector	MC4BK	1	1			
79	Stiffener (uses same length screws, notched)	75189-02	1	1			
	Stiffener, Through Bolt Connector (uses different length screws)	75619-01	1	1			
81	Cord Flex Relief <b>Type 6 &amp; 7 Units Only</b>	03-00600-01	1	1			
83	Kit, Bag Dock, <i>includes items #4 &amp; #67</i>	09-75657-01	1	1			
87	Front Wheel <b>Type 7 Units Only</b>	75709-01	2	1			

**\*Type 7 Units**

# WIRING DIAGRAM

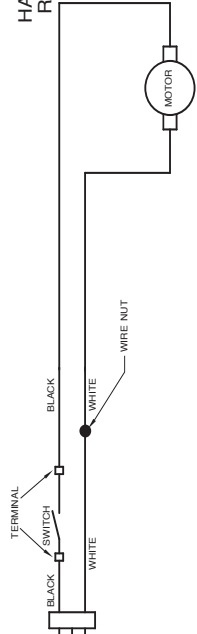
FOR ALL 120V UPRIGHTS

## IMPORTANT SAFETY NOTES:

- UNPLUG UNIT BEFORE SERVICING.
- REPLACEMENT OF MOTORS SHOULD ONLY BE DONE BY AN EXPERIENCED ELECTRICIAN OR AN AUTHORIZED ORECK SERVICE CENTER.

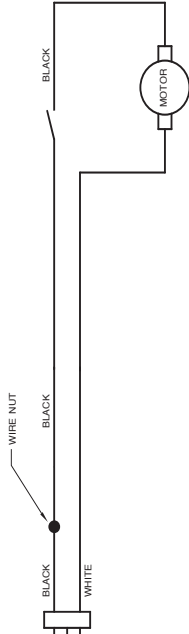
**75516-04 REV D 05/04 ECN# R-7618**

HARDWARE IN HANDLE  
RESIDENTIAL SWITCH  
W/O LIGHTS  
SEE MOTOR  
DETAIL A & B



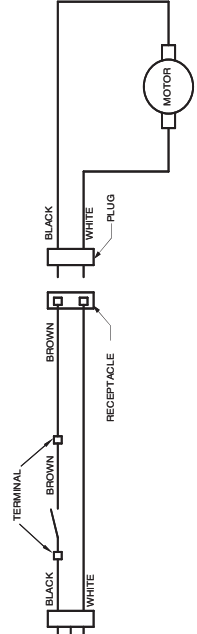
**1**

RESIDENTIAL SWITCH IN BASE  
W/O LIGHTS  
SEE MOTOR  
DETAIL A & B



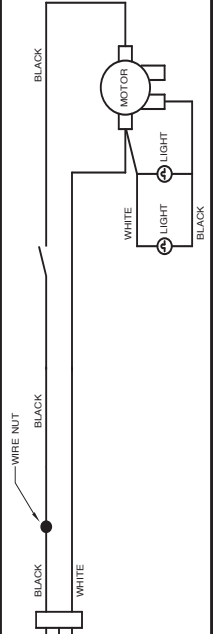
**2**

D-PLUG IN HANDLE  
RESIDENTIAL SWITCH  
W/O LIGHTS  
SEE MOTOR  
DETAIL A & B



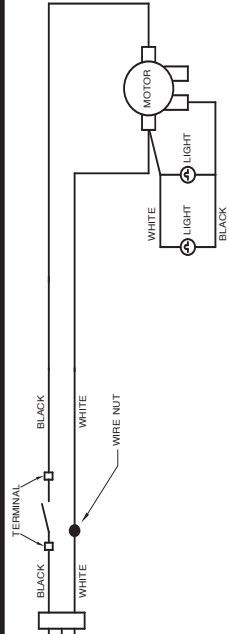
**3**

RESIDENTIAL SWITCH IN BASE  
W/LIGHTS  
1 PARALLEL LIGHT HARNESS  
SEE MOTOR  
DETAIL C & D

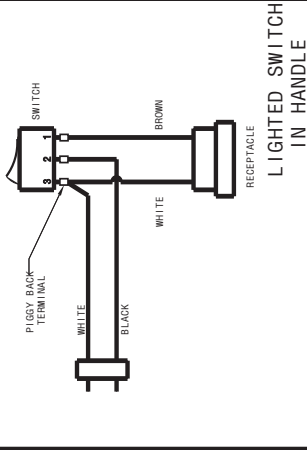


**4**

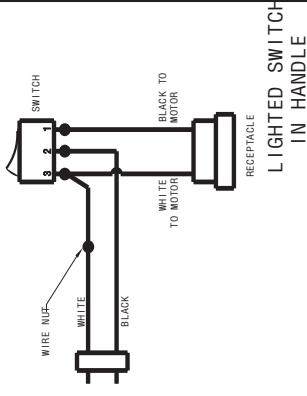
HARDWARE IN HANDLE  
RESIDENTIAL SWITCH  
W/LIGHTS  
1 PARALLEL LIGHT HARNESS  
SEE MOTOR  
DETAIL C & D



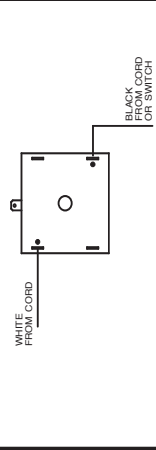
**5**



RECEPTACLE  
LIGHTE D SWITCH  
IN HANDLE

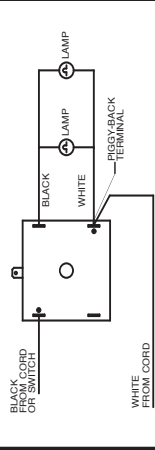


RECEPTACLE  
LIGHTE D SWITCH  
IN HANDLE



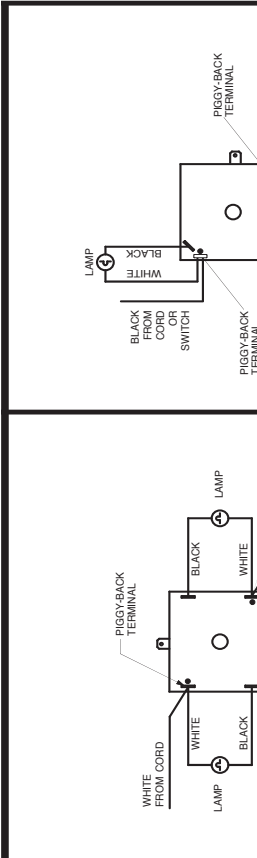
DETAIL A  
AMETEK MOTOR  
RESIDENTIAL  
W/O LIGHTS

DETAIL B  
JOHNSON MOTOR  
RESIDENTIAL  
W/O LIGHTS



DETAIL C  
AMETEK MOTOR  
RESIDENTIAL  
W/LIGHTS  
1 PARALLEL HARNESS

DETAIL D  
JOHNSON MOTOR  
RESIDENTIAL  
W/LIGHTS  
1 PARALLEL HARNESS



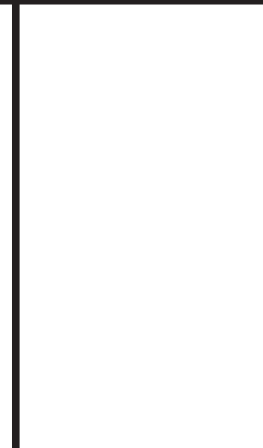
**DETAIL F**  
**JOHNSON MOTOR**  
**RESIDENTIAL**  
**W/LIGHTS**  
**2 LIGHT HARNESS**



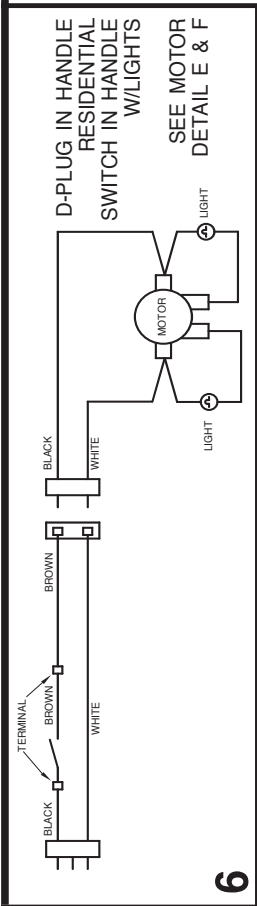
**DETAIL E**  
**AMETEK MOTOR**  
**RESIDENTIAL**  
**W/LIGHTS**  
**2 LIGHT HARNESS**



**DETAIL H**  
**JOHNSON MOTOR**  
**FOR COMMERCIAL**

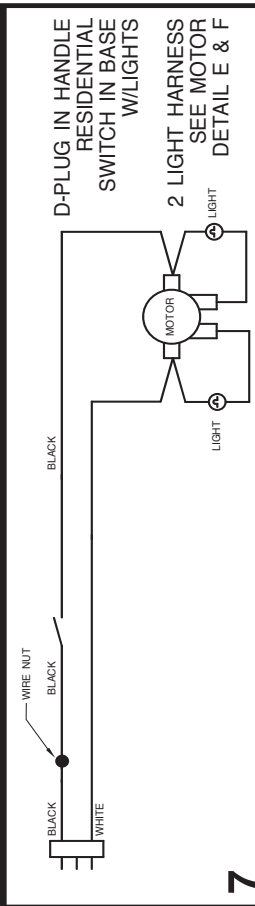


**DETAIL G**  
**AMETEK MOTOR**  
**FOR COMMERCIAL**



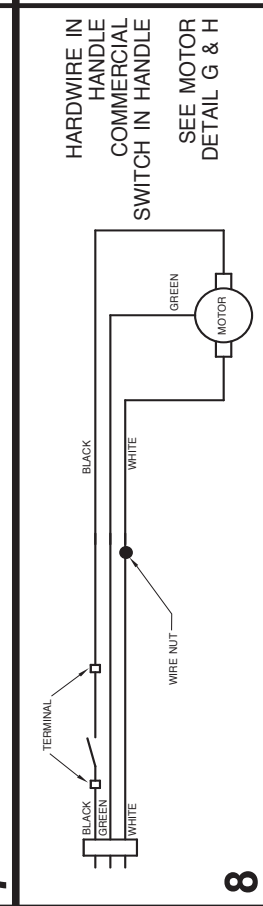
**D-PLUG IN HANDLE**  
**RESIDENTIAL**  
**SWITCH IN HANDLE**  
**W/LIGHTS**  
**SEE MOTOR**  
**DETAIL E & F**

**6**



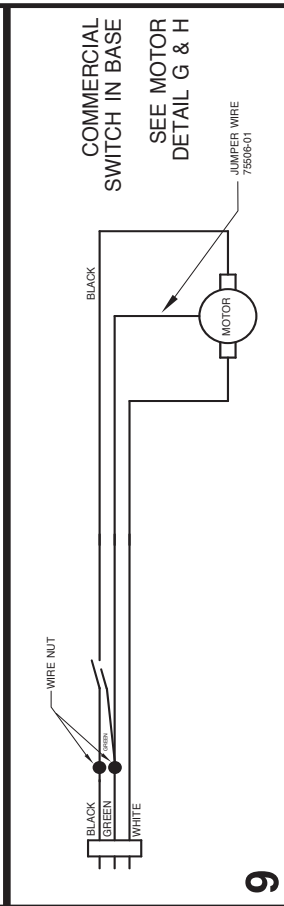
**D-PLUG IN HANDLE**  
**RESIDENTIAL**  
**SWITCH IN BASE**  
**W/LIGHTS**  
**2 LIGHT HARNESS**  
**SEE MOTOR**  
**DETAIL E & F**

**7**



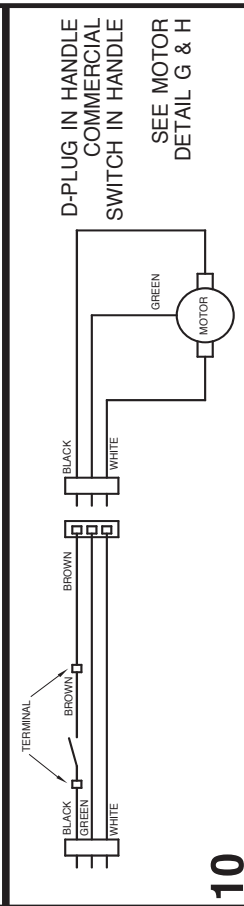
**HARDWIRE IN**  
**HANDLE**  
**COMMERCIAL**  
**SWITCH IN HANDLE**  
**SEE MOTOR**  
**DETAIL G & H**

**8**



**COMMERCIAL**  
**SWITCH IN BASE**  
**SEE MOTOR**  
**DETAIL G & H**

**9**



**D-PLUG IN HANDLE**  
**COMMERCIAL**  
**SWITCH IN HANDLE**  
**SEE MOTOR**  
**DETAIL G & H**

**10**

©2004 Oreck Holdings, LLC. All rights reserved. All trademarks are owned and used under the authority of Oreck Holdings, LLC.



# Troubleshooting

**Notice:** Make sure the unit is unplugged before removing any part off the unit.

1. <b>Problem Being Checked:</b>
----------------------------------

- |             |
|-------------|
| a. Solution |
|-------------|

1. **Dust Blowing from Bottom of Unit:**

- Change bag ensuring it's properly installed on connector deflector.
- Remove lower tube and check for clog. Remove any debris.
- Remove baseplate and check inlet for clog. Remove any debris.
- Check for cracked fan housing. Replace fan housing.

2. **Unit not picking up:**

- Remove lower tube and check for clog.
- Remove baseplate and check inlet for clog.
- Change bag ensuring it's properly installed on connector deflector.
- Make sure belt is installed properly.

3. **Brush Roll Not Spinning / Belt Breaks:**

- Belt is older than six months and slipping or may not be installed properly. Install new belt.
- Bearings in brush roll worn, change brush roll.

4. **Sparking from Plug to Handle (non-hardwire units):**

- Make sure plug fits firmly into handle.

5. **Unit Dead:**

- Make sure unit is plugged into working outlet.
- Check switch for failure. If bad, replace switch.
- Check to see if motor wires are plugged and not loose.
- Check motor brushes and motor brush springs to make sure they have good contact.
- Check motor for failure. If bad, replace motor.
- Check cord for failure. If bad, replace cord.

6. **Parts Falling off Baseplate:**

- If wheels come off, replace wheels.
- If channel, micro sweep blade, or wireform come off, replace baseplate.

7. **Noisy Unit:**

- Check to see if brush roll has bad bearings. If so replace brush roll.
- Check to see if an object is stuck in the fan housing.
- Check fan in fan housing. Make sure there are no broken blades. Replace if broken.

8. **Unit Will Not Stand Up:**

- Broken or missing detent.

**An Oreck Authorized Service Center should do all technical servicing.**

