

ORECK[®] XI[®]

S I M P L Y A M A Z I N G[®]

Service Parts List

Upright Vacuum Cleaner Models



U4070H2L
U4080H2B
U4080H2R
U4080H2Y
U4090H2B
U4090H2G
U4090H2T
U4090H2P
U4120H2B
U4120H2P
U4120H2R
U4490HH

Gold Series Uprights

U4150H2R
U4150H2P
U4151H2G

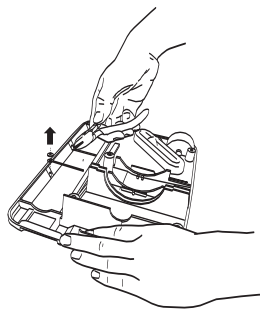
REV Y. Please disregard all previous versions.

Type 6 & 7

Service Information

- Component configuration on exploded view may differ in case of specific versions. However, the actual components are distinguished by means of item and part numbers.
- If a repair has been made, make sure that all functions of the appliance are working correctly.
- Spare parts have been standardized as much as possible and the part may not be the exact replacement part.
- Baseplate assemblies with one-piece wireform are interchangeable on Type 6 units.

To remove the retainer clips from the baseplate, using a pair of side cutting pliers, carefully cut the retainer clips away from the posts. Remove the retainer clips. Be careful not to damage the posts.



Data Label



Type Code: Represents product service revision number.

Type 6: Initial production.

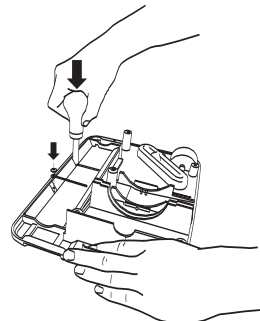
Type 7: Improved baseplate with one-piece wireform.

Julian Date Code:

Represents date of manufacture.

06 Represents the year.

095 Represents the day in that year.



To replace the retainer clips, position the retainer clips on the posts with indentation facing downward. Use a 7/32" nut driver to force the retainer clips down. Retainer clip should fit firmly against wireform.

TOOLS

Description	Order #			
Fan Housing Removal Tool (This tool is designed to assist in removing fan housing assembly from the motor.)	75377-01			
Strain Relief Pliers (This tool is designed to remove the cord retainer, part #33.)	75383-01			

STANDARD FASTENER HARDWARE LISTING

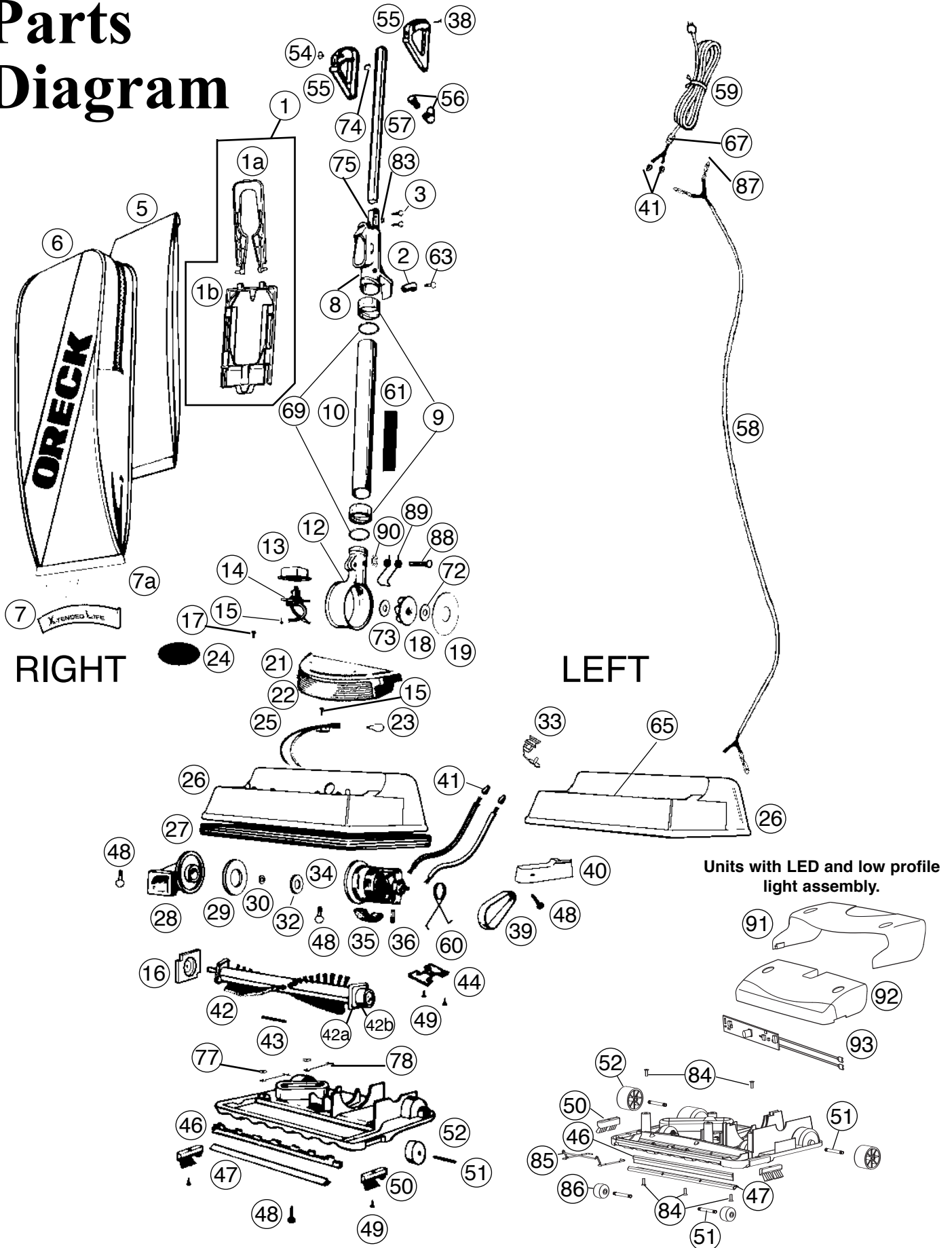
Fasteners Fit Uprights Listed in Service Manual

#	FASTENER DESCRIPTION	FASTENER PART NO.	PART THAT FASTENER IS USED ON	QTY REQ'D	TORQUE RANGE (in/lb)	QTY PER PKG.
2	Cord Clamp	03-00619-01M		1	n/a	100
3	Screw, #8 - 32 x .440 Nylock	03-00478-02M	Handle Tube	1	18 - 22	100
	Screw, #8 x .811 w/ Int Washer	03-00608-01M	Handle Tube w/Through Bolt	1	18 - 22	100
15	Screw, #8 X .5 Phillips	03752-01M	Bulb Holder, Cable Clamp	2/1	13 - 16	100
17	Screw, #8 - 10 x 1.25 Plt 30	03751M	Headlight Cover	2	13 - 16	100
30	1/4 X 32 Yellow Chrome	03-00448-01M	Fan	1	18 - 20	100
38	Screw, #8 x .75	03-00476-01M	D-Handle	6	17 - 20	100
41	Wire Nut	03-00599-01M		as req'd	35 - 55	100
48	Screw, #8 x .75 Phillips	03-00476-01M	Baseplate, Belt Door, Intake Pivot, Motor	5 / 1 / 1 2	13 - 16 17 - 20	100 100
49	Screw, #7 X .38 Phillips	03-00475-01M	Edge Brush <i>Type 6 Only</i> , Detent Gold Series Fascia / Detent	2 / 2	5 - 8	100
63	Screw, #10 x .5 Phillips	03-00450-01M	Cord Bracket	1	13 - 16	100
69	O-Ring	75191-02M	Collar	2	n/a	100
72	Washer, Thrust	03-00479-01M	Fan	1	n/a	100
73	Washer, Lock External Tooth	03-00480-01M	Fan	1	n/a	100
74	Steel Bushing Ring	03-00598-01M	D-Handle	1	n/a	100
77	Retainer Clip	03528M	Baseplate <i>Type 6 Only</i>	2	n/a	100
78	Wireform	75194-03M	Baseplate <i>Type 6 Only</i>	2	n/a	100
83	Nut, Square	03-00606-01M	Connector	1	n/a	100
84	Screw, #6-20 x 7/16 Flat Undercut	03-00626-01M	Edge Brush, Channel <i>Type 7 Only</i>	2 / 3	6 - 8	100
85	Wireform, One-Piece	75698-01	Baseplate <i>Type 7 Only</i>	1	n/a	1
87	JST Insulator	75679-01M	Harness	1	n/a	100
88	Rivet	03-00453-01M	Fan Housing	1	n/a	100
89	Bag Spring	75015-01M	Fan Housing	1	n/a	100
90	Push Nut	03-00636-01M	Fan Housing	1	n/a	100

STANDARD PARTS

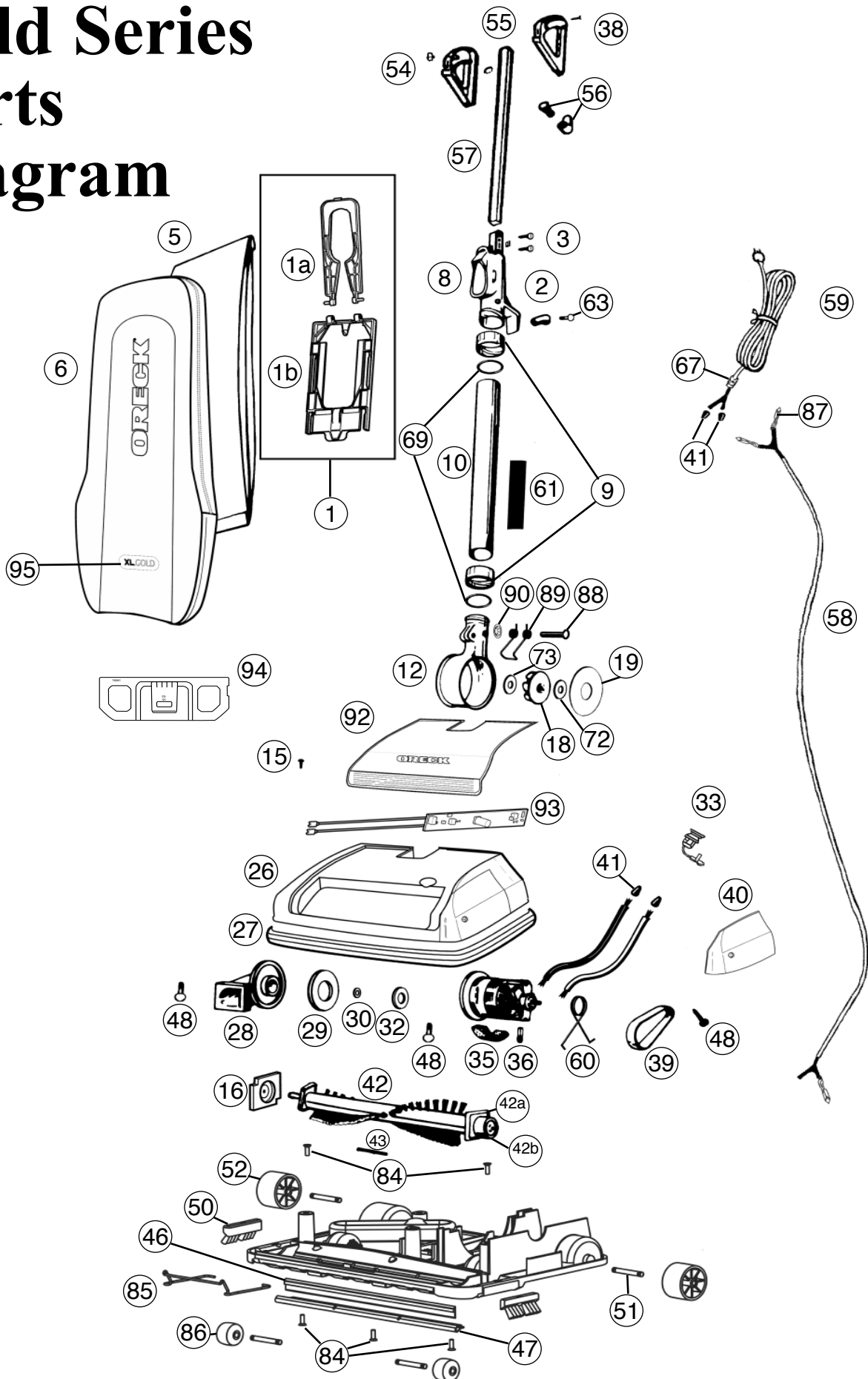
Kit Number	Description			
09-75505-01	Kit, Motor			
75086-01	Leads, Red			
75086-02	Leads, White	NLA	NLA	NLA
75506-01	Leads, Green			
03-00474-01M	100pc. Edge Brush Axle Kit, Pin, .125 x .5			
75338-01	20pc. Edge Brush Wheel Kit			

Parts Diagram

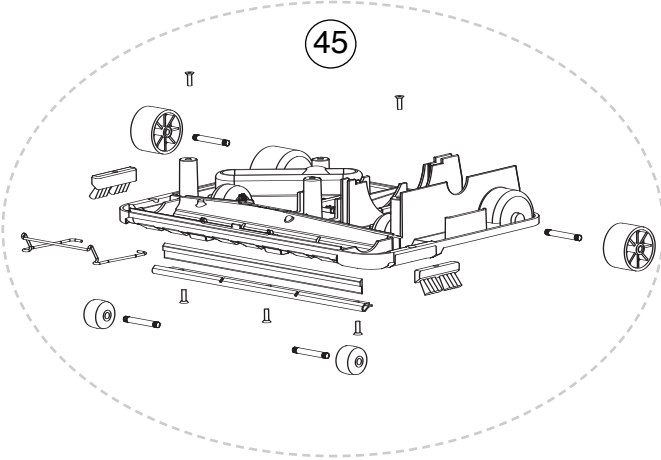
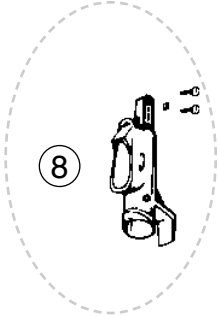


Units with LED and low profile light assembly.

Gold Series Parts Diagram



Parts Assemblies



Part Numbers Listing: U4080H2B / U4080H2R / U4080H2Y
Hypo Bag, Lights, Helping Hand Handle

#	Item	Order #	Qty.	Pk.			
1	Kit, Bag Dock, <i>includes 1a & 1b</i>	09-75657-01	1	1			
1a	Docking Clip, Rear, Type CC	75583-03-0000	1	1			
1b	Bag Dock Hinge, Type CC	75582-03-0000	1	1			
5	Dust Bag, (8 Pk.) Hypo Allergenic	CCPK8DW	1	8			
	Dust Bag, (25 Pk.) Hypo Allergenic	CCPK25DW	1	25			
6	U4080H2B: Outer Bag, Lt. Gray, Blue, Ultra, Antimicrobial	75645-10	1	1			
	U4080H2R: Outer Bag, Lt. Gray, Red, Ultra, Antimicrobial	75645-08	1	1			
	U4080H2Y: Outer Bag, Lt. Gray, Yellow, Ultra, Antimicrobial	75645-09	1	1			
7	U4080H2B: Bag Clip, Front, Black w/White	09-75594-02	1	1			
	U4080H2R: Bag Clip, Front, Red w/White	09-75594-06	1	1			
	U4080H2Y: Bag Clip, Front, Yellow w/Black	09-75594-04	1	1			
7a	U4080H2B: Bag Clip, Rear, Black	75593-01-0327	1	1			
	U4080H2R: Bag Clip, Rear, Red	75593-01-444	1	1			
	U4080H2Y: Bag Clip, Rear, Yellow	75593-01-449	1	1			
8	Connector Assembly Kit, <i>includes items #3 & #83</i>	09-75308-57	1	1			
9	Collar	75309-02-0327	2	1			
10	Tube Assembly	75198-05	1	1			
12	Fan Housing Assembly <i>includes Rivet & Spring</i>	09-75343-03	1	1			
16	Endcard, Metal Pulley Brush, Rt	75704-01	1	1			
18	METAXALLOY™ Fan Kit w/Washers	09-75300-01	1	1			
19	Fan Cup Seal	75012-01	1	1			
20	Cord Set	<i>see #59</i>					
21	U4080H2B: Lamp Housing, Curved, Black	75521-01-0327	1	1			
	U4080H2R: Lamp Housing, Curved, Red	75521-01-444	1	1			
	U4080H2Y: Lamp Housing, Curved, Yellow	75521-01-449	1	1			
22	Lens	75520-02-455	1	1			
23	Bulb	00965-0019	2	1			
24	Badge Decal, Black on Silver	73020-04	1	1			
25	Lamp Holder	75539-01	1	1			
26	U4080H2B: Housing, Black	09-75780-17	1	1			
	U4080H2R: Housing, Red	09-75780-21	1	1			
	U4080H2Y: Housing, Yellow	09-75780-22	1	1			
27	Bumper, Clear w/Blue Tint	75181-04	1	1			
28	Intake Pivot Assembly, <i>includes #29</i>	09-75066-02	1	1			
29	Felt Seal	75065-01	1	1			
32	Felt Seal, Motor	75117-01M	1	100			
33	Cord Retainer, Square	03-00494-01	1	1			
34	Motor Assembly Kit	09-75505-01	1	1			
35	Motor Seal	75095-01	2	1			
36	Kit, Motor Brush / Spring	09-75514-01	2	2			

Part Numbers Listing: U4080H2B / U4080H2R / U4080H2Y cont.
Hypo Bag, Lights, Helping Hand Handle

#	Item	Order #	Qty.	Pk.			
39	Drive Belt, (3 Pk.)	0300604	1	3			
39a	Drive Belt, Single	75024-01	1	1			
40	U4080H2B: Door, Belt, Black	75057-01-0327	1	1			
	U4080H2R: Door, Belt, Red	75057-01-444	1	1			
	U4080H2Y: Door, Belt, Yellow	75057-01-449	1	1			
42	Brush Roll, Metal Pulley	75104-02	1	1			
42a	Endcard, Metal Pulley Side, Lft	75705-01	1	1			
42b	Brush Roll Pulley, Metal	75706-01	1	1			
43	Seal, Baseplate	75008-01	1	1			
44	Plastic Detent, (uses 2 #49 screws)	75299-01	1	1			
45	Complete Baseplate Assembly <i>includes: #43, #46, #47, #50, #51, #52, #84, #85, #86</i>	09-75715-01	1	1			
46	MICRO SWEEP Blade Type 6 Units Only	75009-01	1	1			
	MICRO SWEEP Blade Type 7 Units Only	75700-02	1	1			
47	Channel Type 6 Units Only	75007-02	1	1			
	Channel Type 7 Units Only	75701-01	1	1			
50	Edge Brush w/Wheels, Left Type 6 Units Only	09-75249-02	1	1			
	Edge Brush w/Wheels, Right Type 6 Units Only	09-75250-02	1	1			
	Edge Brush w/o Wheels, Left & Right	75766-02	2	1			
51	Wheel Axle	03-00630-01M	2/4*	100			
52	Soft Rear Wheel, Black	75187-02-0327	2	1			
54	Switch, 2 Position Assembly	75585-01	1	1			
55	U4080H2B: Grips, Black, Set	09-75576-02	1	1			
	U4080H2R: Grips, Red, Set	09-75576-28	1	1			
	U4080H2Y: Grips, Yellow, Set	09-75576-17	1	1			
56	U4080H2B / U4080H2Y: Cord Wrap Assembly w/Post and Cord Wrap, Black	09-75185-01	1	1			
	U4080H2R: Cord Wrap Assembly w/Post and Cord Wrap, Red	09-75185-07	1	1			
57	Handle Tube, Chrome	75190-03	1	1			
58	U4080H2B: Cord, Harness Assembly, Black	75552-02-327	1	1			
	U4080H2R / U4080H2Y: Cord, Harness Assembly, White	75552-02-328	1	1			
59	U4080H2B: Cord Set, Black w/ #67	75556-02-327	1	1			
	U4080H2R / U4080H2Y: Cord Set, White w/ #67	75556-02-328	1	1			
60	Motor Spring	75283-01	2	1			
61	Tube Label	75087-05	1	1			
67	Cord Flex Relief	03-00600-01	1	1			
75	Stiffener, Through Bolt Connector	75619-01	1	1			
	User's Manual	75416-05	1	1			
	Magnet Clean Vacuum Protector	MC4BK	1	1			
86	Front Wheel Type 7 Units Only	75709-01	2	1			

* **Type 7 Units Only**

Part Numbers Listing: U4070H2L / U4090H2B / U4090H2G / U4090H2T / U4090H2P / U4490HH
Hypo Bag, Lights, Helping Hand Handle

#	Item	Order #	Qty.	Pk.			
1	Kit, Bag Dock, <i>includes 1a & 1b</i>	09-75657-01	1	1			
1a	Docking Clip, Rear, Type CC	75583-03-0000	1	1			
1b	Bag Dock Hinge, Type CC	75582-03-0000	1	1			
5	Dust Bag, (8 Pk.) Hypo Allergenic	CCPK8DW	1	8			
	Dust Bag, (25 Pk.) Hypo Allergenic	CCPK25DW	1	25			
6	U4090H2B: Outer Bag, Black, Polyester, Blue, Plus	75645-12	1	1			
	U4090H2G: Outer Bag, Black, Polyester, Lime Green, Plus	75645-13	1	1			
	U4090H2T: Outer Bag, Black, Polyester, Teal, Plus	75645-14	1	1			
	U4090H2P: Outer Bag, Light Gray, Pink, Plus	75645-15	1	1			
	U4070H2L / U4490HH: Outer Bag, Light Gray, Blue, Plus	75645-17	1	1			
7	U4090H2B: Bag Clip, Front, Black w/White	09-75594-02	1	1			
	U4090H2G: Bag Clip, Front, Lime Green w/White	09-75594-08	1	1			
	U4090H2T: Bag Clip, Front, Teal w/White	09-75594-07	1	1			
	U4090H2P: Bag Clip, Front, Pink w/White	09-75594-09	1	1			
	U4070H2L / U4490HH: Bag Clip Assembly, Blue / Silver	09-75078-24	1	1			
7a	U4090H2B: Bag Clip, Rear, Black	75593-01-0327	1	1			
	U4090H2G: Bag Clip, Rear, Lime Green	75593-01-461	1	1			
	U4090H2T: Bag Clip, Rear, Teal	75593-01-462	1	1			
	U4090H2P: Bag Clip, Rear, Pink	75593-01-468	1	1			
8	Connector Assembly Kit, <i>includes items #3 & #83</i>	09-75308-57	1	1			
9	Collar	75309-02-0327	2	1			
10	Tube Assembly	75198-05	1	1			
12	Fan Housing Assembly <i>includes Rivet & Spring</i>	09-75343-03	1	1			
16	Endcard, Metal Pulley Brush, Rt	75704-01	1	1			
18	METAXALLOY™ Fan Kit w/Washers	09-75300-01	1	1			
19	Fan Cup Seal	75012-01	1	1			
20	Cord Set	<i>see #59</i>					
21	U4090H2B: Lamp Housing, Curved, Black	75521-01-0327	1	1			
	U4090H2G: Lamp Housing, Curved, Lime Green	75521-01-461	1	1			
	U4090H2T: Lamp Housing, Curved, Teal	75521-01-462	1	1			
	U4090H2P: Lamp Housing, Curved, Pink	75521-01-468	1	1			
	U4070H2L / U4490HH: Lamp Housing, Curved, Blue	75521-01-442	1	1			
22	Lens	75520-02-455	1	1			
23	Bulb	00965-0019	2	1			
24	U4090H2B: Badge Decal, Black on Silver	73020-04	1	1			
	U4090H2G: Badge Decal, Lime Green on Silver	73020-06	1	1			
	U4090H2T: Badge Decal, Teal on Silver	73020-05	1	1			
	U4090H2P: Badge Decal, Pink on Silver	73020-07	1	1			
	U4490HH: Badge Decal, Silver on Blue	73020-03	1	1			
25	Lamp Holder	75539-01	1	1			
26	U4090H2B: Housing, Black	09-75780-17	1	1			
	U4090H2G: Housing, Lime Green	09-75780-27	1	1			
	U4090H2T: Housing, Teal	09-75780-26	1	1			
	U4090H2P: Housing, Pink	09-75780-28	1	1			
	U4070H2L / U4490HH: Housing, Blue	09-75780-35	1	1			
27	U4090H2B / U4090H2G / U4090H2T / U4090H2P: Bumper, Clear w/Blue Tint	75181-04	1	1			
	U4070H2L / U4490HH: Bumper, White	75181-03	1	1			
28	Intake Pivot Assembly, <i>includes #29</i>	09-75066-02	1	1			
29	Felt Seal	75065-01	1	1			
32	Felt Seal, Motor	75117-01M	1	100			

Part Numbers Listing: U4070H2L / U4090H2B / U4090H2G / U4090H2T / U4090H2P / U4490HH cont.
Hypo Bag, Lights, Helping Hand Handle

#	Item	Order #	Qty.	Pk.			
33	Cord Retainer, Square	03-00494-01	1	1			
34	Motor Assembly Kit	09-75505-01	1	1			
35	Motor Seal	75095-01	2	1			
36	Kit, Motor Brush / Spring	09-75514-01	2	2			
39	Drive Belt, (3 Pk.)	0300604	1	3			
39a	Drive Belt, Single	75024-01	1	1			
40	U4090H2B: Door, Belt, Black	75057-01-0327	1	1			
	U4090H2G: Door, Belt, Lime Green	75057-01-461	1	1			
	U4090H2T: Door, Belt, Teal	75057-01-462	1	1			
	U4090H2P: Door, Belt, Pink	75057-01-468	1	1			
	U4070H2L / U4490HH: Door, Belt, Blue	75057-01-442	1	1			
42	Brush Roll, Metal Pulley	75104-02	1	1			
42a	Endcard, Metal Pulley Side, Lft	75705-01	1	1			
42b	Brush Roll Pulley, Metal	75706-01	1	1			
43	Seal, Baseplate	75008-01	1	1			
44	Plastic Detent, (uses 2 #49 screws)	75299-01	1	1			
45	Complete Baseplate Assembly <i>includes: #43, #46, #47, #50, #51, #52, #84, #85, #86</i>	09-75715-01	1	1			
46	MICRO SWEEP Blade	75700-02	1	1			
47	Channel	75701-01	1	1			
50	Edge Brush w/o Wheels, Left & Right	75766-02	2	1			
51	Wheel Axle	03-00630-01M	4	100			
52	Soft Rear Wheel, Black	75187-02-0327	2	1			
54	U4070H2L / U4090H2B / U4090H2G / U4090H2T / U4090H2P: Switch, 2 Position Assembly	75585-01	1	1			
	U4490HH: Switch, Single Speed	75559-01	1	1			
55	U4090H2B: Grips, Black, Set	09-75576-02	1	1			
	U4090H2G: Grips, Lime Green, Set	09-75576-32	1	1			
	U4090H2T: Grips, Teal, Set	09-75576-31	1	1			
	U4090H2P: Grips, Pink, Set	09-75576-33	1	1			
	U4070H2L / U4490HH: Grips, Blue, Set	09-75576-30	1	1			
56	U4070H2L / U4090H2B / U4490HH: Cord Wrap Assembly w/Post & Cord Wrap, Black	09-75185-01	1	1			
	U4090H2G: Cord Wrap Assembly w/Post & Cord Wrap, Lime Green	09-75185-13	1	1			
	U4090H2T: Cord Wrap Assembly w/Post & Cord Wrap, Teal	09-75185-12	1	1			
	U4090H2P: Cord Wrap Assembly w/Post & Cord Wrap, Pink	09-75185-14	1	1			
57	Handle Tube, Chrome	75190-03	1	1			
58	U4090H2B: Cord, Harness Assembly, Black	75552-02-327	1	1			
	U4070H2L / U4090H2G / U4090H2T / U4090H2P / U4490HH: Cord, Harness Assembly, White	75552-02-328	1	1			
59	U4090H2B: Cord Set, Black w/ #67	75556-02-327	1	1			
	U4070H2L / U4090H2G / U4080H2T / U4090H2P / U4490HH: Cord Set, White w/ #67	75556-02-328	1	1			
60	Motor Spring	75283-01	2	1			
61	Tube Label	75087-05	1	1			
67	Cord Flex Relief	03-00600-01	1	1			
75	Stiffener, Through Bolt Connector	75619-01	1	1			
	User's Manual	75416-05	1	1			
	Magnet Clean Vacuum Protector	MC4BK	1	1			
86	Front Wheel	75709-01	2	1			

Part Numbers Listing: Intellashield™ U4120H2B, U4120H2P, U4120H2R
Hypo Bag, LED Lights, Helping Hand Handle, Antimicrobial

#	Item	Order #	Qty.	Pk.			
1	Kit, Bag Dock, <i>includes 1a & 1b</i>	09-75657-02	1	1			
1a	U4120H2B : Dock, Rear Bag Type CC, Black	75583-02-0327	1	1			
1b	U4120H2B : Bag Dock Type CC, Antimicrobial, Black	75582-02-0327	1	1			
5	Dust Bag, (8 Pk.) Hypo Allergenic	CCPK8DW	1	8			
	Dust Bag, (25 Pk.) Hypo Allergenic	CCPK25DW	1	25			
6	U4120H2B : Outer Bag Black	75645-21	1	1			
	U4120H2P : Outer Bag Pink	75645-22	1	1			
	U4120H2R : Outer Bag Red	75645-23	1	1			
7	U4120H2B : Bag Clip Curved Front, Black	09-75776-03	1	1			
	U4120H2P : Bag Clip Curved Front, Pink	09-75776-04	1	1			
	U4120H2R : Bag Clip Curved Front, Red	09-75776-02	1	1			
7a	U4120H2B : Bag Clip, Rear, Black	75593-01-0327	1	1			
	U4120H2P : Bag Clip, Rear, Pink	75593-01-468	1	1			
	U4120H2R : Bag Clip, Rear, Red	75593-01-444	1	1			
8	Connector Assembly Kit, <i>includes items #3 & #83</i>	09-75308-57	1	1			
9	Collar	75199-02-0327	2	1			
10	Tube Assembly	75198-05	1	1			
12	Fan Housing Assembly <i>includes Rivet & Spring</i>	09-75343-03	1	1			
16	Endcard, Metal Pulley Brush, Rt	75704-01	1	1			
18	METAXALLOY™ Fan Kit w/Washers	09-75300-01	1	1			
19	Fan Cup Seal	75012-01	1	1			
20	Cord Set	<i>see #59</i>					
24	U4120H2B, U4120H2P, U4120H2R : Label, XL Dome Black on Silver	75772-01	1	1			
26	U4120H2B : Top Cover, Black, Antimicrobial	09-75780-32	1	1			
	U4120H2P : Top Cover, Pink, Antimicrobial	09-75780-33	1	1			
	U4120H2R : Top Cover, Red, Antimicrobial	09-75780-31	1	1			
27	U4120H2B, U4120H2P, U4120H2R : Bumper, Clear w/Blue Tint Antimicrobial	75765-01	1	1			
28	Intake Pivot Assembly, <i>includes #29</i>	09-75066-02	1	1			
29	Felt Seal	75065-01	1	1			
32	Felt Seal, Motor	75117-01M	1	100			
33	Cord Retainer, Square	03-00494-01	1	1			
34	Motor Assembly Kit	09-75505-01	1	1			
35	Motor Seal	75095-01	2	1			
36	Kit, Motor Brush / Spring	09-75514-01	2	2			
39	Drive Belt, (3 Pk.)	0300604	1	3			
39a	Drive Belt, Single	75024-01	1	1			
40	U4120H2B : Door, Belt, Black Antimicrobial	75057-03-0327	1	1			
	U4120H2P : Door, Belt, Pink Antimicrobial	75057-03-468	1	1			
	U4120H2R : Door, Belt, Red Antimicrobial	75057-02-444	1	1			
42	Brush Roll, Silver ION	75202-03	1	1			
42a	Endcard, Metal Pulley Side, Lft	75705-01	1	1			
42b	Brush Roll Pulley, Metal	75706-01	1	1			
43	Seal, Baseplate	75008-01	1	1			
44	Plastic Detent, (uses 2 #49 screws)	75299-01	1	1			
45	Complete Baseplate Assembly <i>includes: #43, #46, #47, #50, #51, #52, #84, #85, #86 Antimicrobial</i>	09-75715-56	1	1			
46	MICRO SWEEP Blade	75700-02	1	1			
47	Channel	75701-01	1	1			
50	Edge Brush Silver ION	75766-01	2	1			

Part Numbers Listing: Intellashield™ U4120H2B, U4120H2P, U4120H2R
Hypo Bag, LED Lights, Helping Hand Handle, Antimicrobial

#	Item	Order #	Qty.	Pk.			
51	Wheel Axle	03-00630-01M	4	100			
52	Soft Rear Wheel, Black	75187-02-0327	2	1			
54	Switch, 2 Position Assembly	75585-01	1	1			
55	U4120H2B: Grips, Black, Set Antimicrobial	09-75576-34	1	1			
	U4120H2P: Grips, Pink, Set Antimicrobial	09-75576-35	1	1			
	U4120H2R: Grips, Red, Set Antimicrobial	09-75576-36	1	1			
56	U4120H2B: Cord Wrap Assembly w/Post & Cord Wrap, Black Antimicrobial	09-75185-15	1	1			
	U4120H2P: Cord Wrap Assembly w/Post & Cord Wrap, Pink Antimicrobial	09-75185-17	1	1			
	U4120H2R: Cord Wrap Assembly w/Post & Cord Wrap, Red Antimicrobial	09-75185-18	1	1			
57	Handle Tube, Chrome	75190-03	1	1			
58	U4120H2B / U4120H2P: Cord, Harness Assembly, Black	75552-02-327	1	1			
	U4120H2R: Cord, Harness Assembly, White	75552-02-328	1	1			
59	U4120H2B / U4120H2P: Cord Set, Black w/ #67 Antimicrobial	75556-03-327	1	1			
	U4120H2R: Cord Set, White w/ #67 Antimicrobial	75556-03-328	1	1			
60	Motor Spring	75283-01	2	1			
61	Tube Label	75087-05	1	1			
67	Cord Flex Relief	03-00600-01	1	1			
75	Stiffener, Through Bolt Connector	75619-01	1	1			
	User's Manual	75416-05	1	1			
	Magnet Clean Vacuum Protector	MC4BK	1	1			
86	Front Wheel	75709-01	2	1			
91	U4120H2B: Lamp Housing Low Profile, Antimicrobial Black	75763-01-0327	1	1			
	U4120H2P: Lamp Housing Low Profile, Antimicrobial Pink	75763-01-468	1	1			
	U4120H2R: Lamp Housing Low Profile, Antimicrobial Red	75763-01-444	1	1			
92	Lens Low Profile	75762-01-0329	1	1			
93	Light, LED	75770-01	1	1			

ORECK GOLD SERIES (Type 7 units)

Part Numbers Listing: Intellashield™ U4150H2R, U4150H2P, U4151H2G

Hypo Bag, LED Light, Helping Hand Handle, Antimicrobial

#	Item	Order #	Qty.	Pk.			
1	Kit, Bag Dock, <i>includes 1a & 1b</i>	09-75657-02	1	1			
1a	Dock, Rear Bag Type CC, Black	75583-02-0327	1	1			
1b	Bag Dock Type CC, Antimicrobial, Black	75582-02-0327	1	1			
5	Dust Bag, (8 Pk.) Hypo Allergenic	CCPK8DW	1	8			
	Dust Bag, (25 Pk.) Hypo Allergenic	CCPK25DW	1	25			
6	Outer Bag	76004-02	1	1			
	U4150H2P: Outer Bag, Komen	76004-05	1	1			
	U4151H2G: Outer Bag, JCP	76062-08	1	1			
8	Connector Assembly Kit, <i>includes items #3 & #83</i>	09-75308-57	1	1			
9	Collar	75199-02-0327	2	1			
10	Tube Assembly	75198-05	1	1			
12	Fan Housing Assembly <i>includes Rivet & Spring</i>	09-75343-03	1	1			
16	Endcard, Metal Pulley Brush, Rt	75704-01	1	1			
18	METAXALLOY™ Fan Kit w/Washers	09-75300-01	1	1			
19	Fan Cup Seal	75012-01	1	1			
20	Cord Set	<i>see #59</i>					
26	Top Cover/Belt Door Assembly Warm Red, Antimicrobial	09-76032-02	1	1			
	U4150H2P: Top Cover/Belt Door Assembly Black, Antimicrobial	09-76032-03	1	1			
	U4151H2G: Top Cover/Belt Door Assembly Green, Antimicrobial	09-76032-05	1	1			
27	Bumper, Clear w/Blue Tint,	75765-01	1	1			
28	Intake Pivot Assembly, <i>includes #29</i>	09-75066-02	1	1			
29	Felt Seal	75065-01	1	1			
32	Felt Seal, Motor	75117-01M	1	100			
33	Cord Retainer, Square	03-00494-01	1	1			
34	Motor Assembly Kit	09-75505-01	1	1			
35	Motor Seal	75095-01	2	1			
36	Kit, Motor Brush / Spring	09-75514-01	2	2			
39	Drive Belt, (3 Pk.)	0300604	1	3			
39a	Drive Belt, Single	75024-01	1	1			
40	Door, Belt, Warm Red Antimicrobial	76002-01-472	1	1			
	U4150H2P: Door, Belt, Black	76002-01-0327	1	1			
	U4151H2G: Door, Belt Green	76002-01-475	1	1			
42	Brush Roll, Silver ION	75202-03	1	1			
42a	Endcard, Metal Pulley Side, Lft	75705-01	1	1			
42b	Brush Roll Pulley, Metal	75706-01	1	1			
43	Seal, Baseplate	75008-01	2	1			
44	Plastic Detent, (uses 2 #49 screws)	75299-01	1	1			
45	Complete Baseplate Assembly <i>includes: #43, #46, #47, #50, #51, #52, #84, #85, #86 Antimicrobial</i>	09-75715-56	1	1			
46	MICRO SWEEP Blade	75700-02	1	1			
47	Channel	75701-01	1	1			
50	Edge Brush	75766-03	2	1			
51	Wheel Axle	03-00630-01M	4	100			
52	Soft Rear Wheel, Black	75187-02-0327	2	1			
54	Switch, 2 Position Assembly	75585-01	1	1			
55	Grips, Dark Cherry, Set Antimicrobial	09-75576-39	1	1			
	U4151H2G: Grips, Green, Set Antimicrobial	09-75576-41	1	1			

ORECK GOLD SERIES (Type 7 units)**Part Numbers Listing: Intellashield™ U4150H2R, U4150H2P, U4151H2G**

Hypo Bag, LED Light, Helping Hand Handle, Antimicrobial

#	Item	Order #	Qty.	Pk.			
56	Cord Wrap Assembly w/Post & Cord Wrap, Dk. Cherry Antimicrobial	09-75185-22	1	1			
	U4151H2G: Cord Wrap Assy w/Post & Cord Wrap, Green Antimicrobial	09-75185-26	1	1			
57	Handle Tube, Chrome	75190-03	1	1			
58	Cord, Harness Assembly, Black	75552-02-327	1	1			
59	Cord Set, Black w/ #67	75556-03-327	1	1			
60	Motor Spring	75283-01	2	1			
61	Tube Label	75087-05	1	1			
67	Cord Flex Relief	03-00600-01	1	1			
86	Front Wheel	75709-01	2	1			
92	Fascia	76001-02	1	1			
	U4150H2P: Fascia Komen	76001-03	1	1			
	U4151H2G: Fascia, JCP	76001-05	1	1			
93	Light, LED	75770-01	1	1			
94	Lower Bag Stiffener	76061-01	1	1			
95	U4150H2P: Bag Label, Komen	76023-02	1	1			

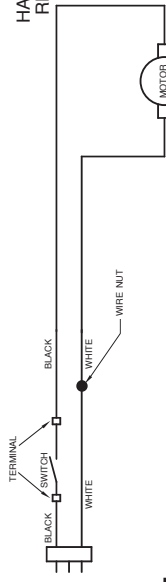
WIRING DIAGRAM

FOR ALL 120V UPRIGHTS

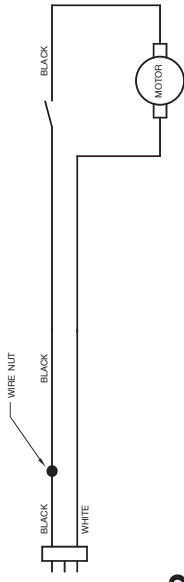
IMPORTANT SAFETY NOTES:

- UNPLUG UNIT BEFORE SERVICING.
- REPLACEMENT OF MOTORS SHOULD ONLY BE DONE BY AN EXPERIENCED ELECTRICIAN OR AN AUTHORIZED ORECK SERVICE CENTER.

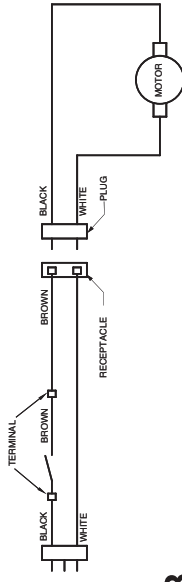
75516-04 REV D 05/04 ECN# R-7618



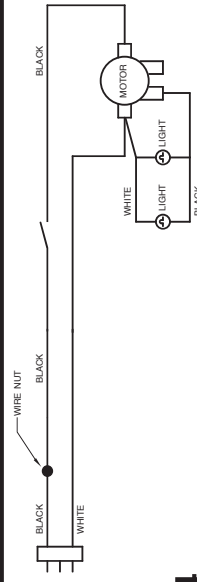
1



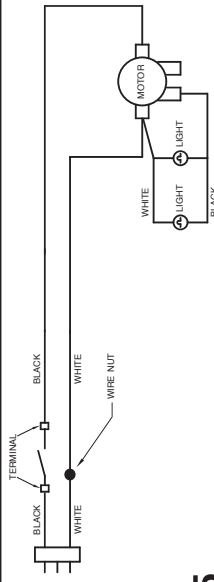
2



3



4



5

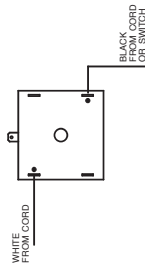
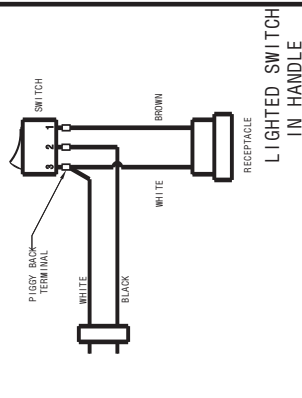
HARDWIRE IN HANDLE
RESIDENTIAL SWITCH
W/O LIGHTS
SEE MOTOR
DETAIL A & B

RESIDENTIAL
SWITCH IN BASE
W/O LIGHTS
SEE MOTOR
DETAIL A & B

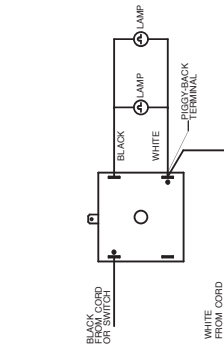
D-PLUG IN HANDLE
RESIDENTIAL
SWITCH IN HANDLE
W/O LIGHTS
SEE MOTOR
DETAIL A & B

RESIDENTIAL
SWITCH IN BASE
W/LIGHTS
1 PARALLEL
LIGHT HARNESS
SEE MOTOR
DETAIL C & D

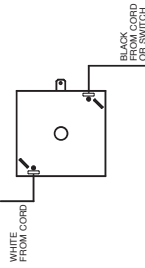
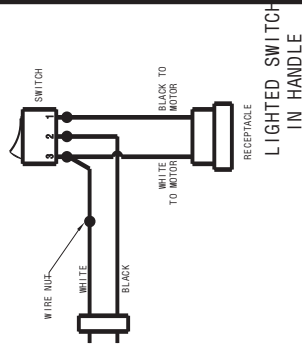
HARDWIRE
IN HANDLE
RESIDENTIAL
SWITCH IN HANDLE
W/LIGHTS
1 PARALLEL
LIGHT HARNESS
SEE MOTOR
DETAIL C & D



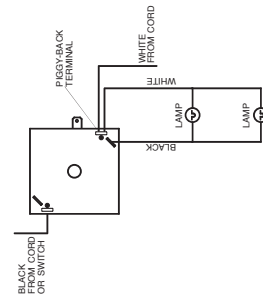
DETAIL A
AMETEK MOTOR
RESIDENTIAL
W/O LIGHTS



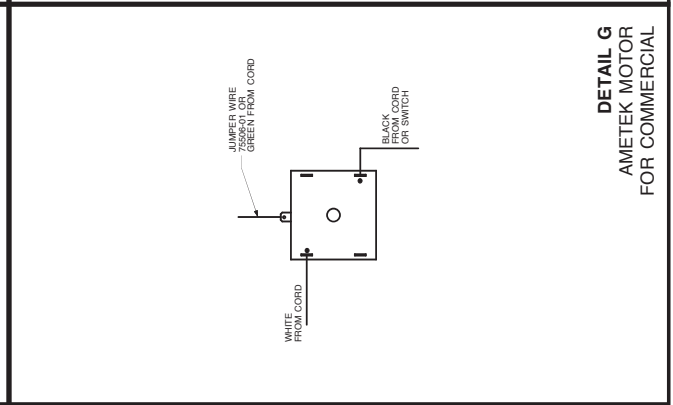
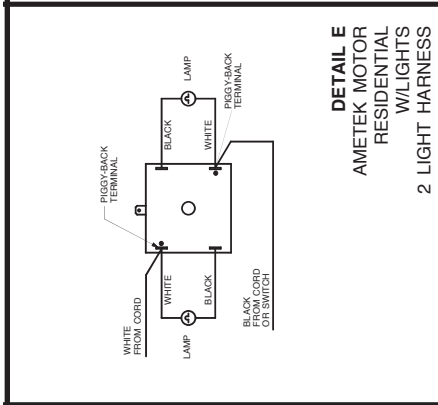
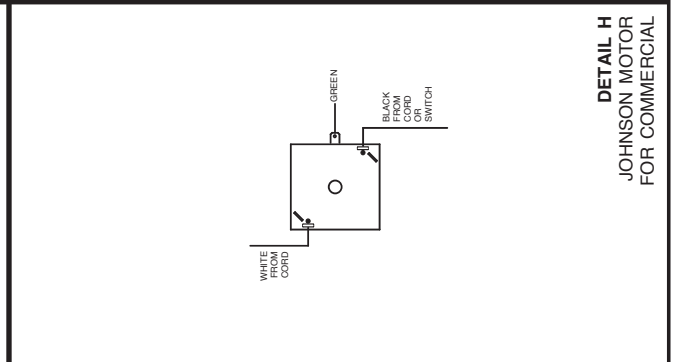
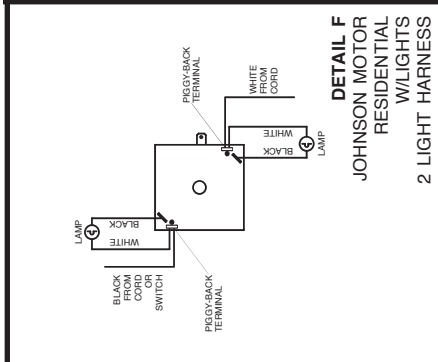
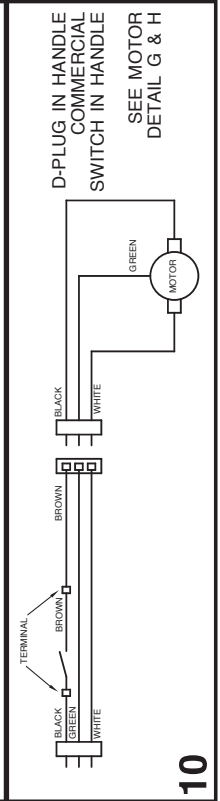
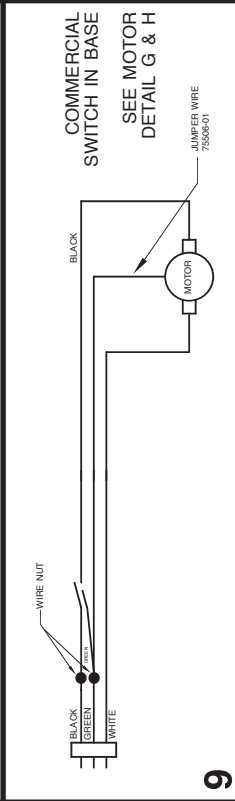
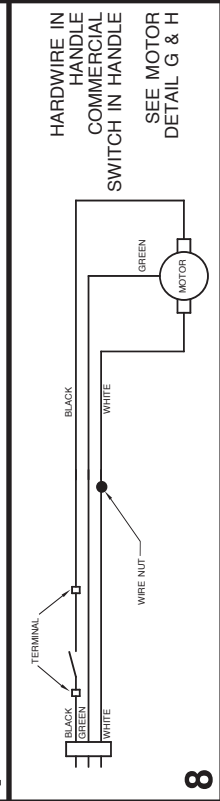
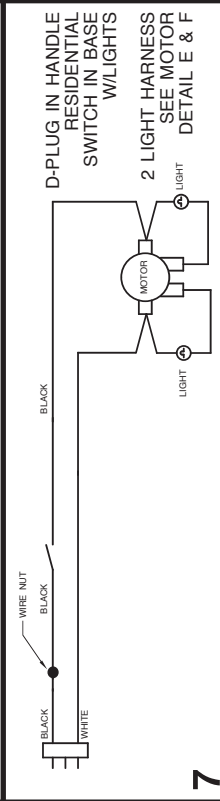
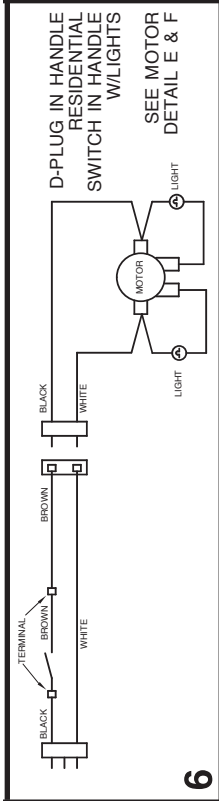
DETAIL C
AMETEK MOTOR
RESIDENTIAL
W/LIGHTS
1 PARALLEL HARNESS



DETAIL B
JOHNSON MOTOR
RESIDENTIAL
W/O LIGHTS



DETAIL D
JOHNSON MOTOR
RESIDENTIAL
W/LIGHTS
1 PARALLEL HARNESS



©2004 Oreck Holdings, LLC. All rights reserved. All trademarks are owned and used under the authority of Oreck Holdings, LLC.

Troubleshooting

Notice: Make sure the unit is unplugged before removing any part off the unit.

1. Problem Being Checked:

- | |
|-------------|
| a. Solution |
|-------------|

1. **Dust Blowing from Bottom of Unit:**

- a. Change bag ensuring it's properly installed on connector deflector.
- b. Remove lower tube and check for clog. Remove any debris.
- c. Remove baseplate and check inlet for clog. Remove any debris.
- d. Check for cracked fan housing. Replace fan housing.

2. **Unit not picking up:**

- a. Remove lower tube and check for clog.
- b. Remove baseplate and check inlet for clog.
- c. Change bag ensuring it's properly installed on connector deflector.
- d. Make sure belt is installed properly.

3. **Brush Roll Not Spinning / Belt Breaks:**

- a. Belt is older than six months and slipping or may not be installed properly. Install new belt.
- b. Bearings in brush roll worn, change brush roll.

4. **Unit Dead:**

- a. Make sure unit is plugged into working outlet.
- b. Check switch for failure. If bad, replace switch.
- c. Check to see if motor wires are plugged and not loose.
- d. Check motor brushes and motor brush springs to make sure they have good contact.
- e. Check motor for failure. If bad, replace motor.
- f. Check cord for failure. If bad, replace cord.

5. **Parts Falling off Baseplate:**

- a. If wheels come off, replace wheels.
- b. If channel, micro sweep blade, or wireform come off, replace baseplate.

6. **Noisy Unit:**

- a. Check to see if brush roll has bad bearings. If so replace brush roll.
- b. Check to see if an object is stuck in the fan housing.
- c. Check fan in fan housing. Make sure there are no broken blades. Replace broken parts if any.

7. **Unit Will Not Stand Up:**

- a. Broken or missing detent. Replace detent.

An Oreck Authorized Service Center should do all technical servicing.

