

ORECK[®] XL[®]

S I M P L Y A M A Z I N G[®]

Service Parts List



BB1000DC
BB1000DB
BB1100DC
BB1100DB
BB1100DBSQ

Type 1, 2 & 3

REV R., Please disregard all previous versions.

Data Label



Type Code: Represents product service revision number.

Type 1: Initial Production

Type 2: Removed exhaust screen from housing.

Type 3: Modified for wheel kit.

Julian Date Code:

Represents date of manufacture.

01 Represents the year.

057 Represents the day in that year.

Service Information

- Component configuration on exploded view may differ in case of specific versions. However, the actual components are distinguished by means of item and part numbers.
- If a repair has been made, make sure that all functions of the appliance are working correctly.
- Spare parts have been standardized as much as possible and the part may not be the exact replacement part.
- Microfilter fits all BBs.
- Do not use unit for prolonged periods w/full bag.

Standard Fastener Hardware Listing

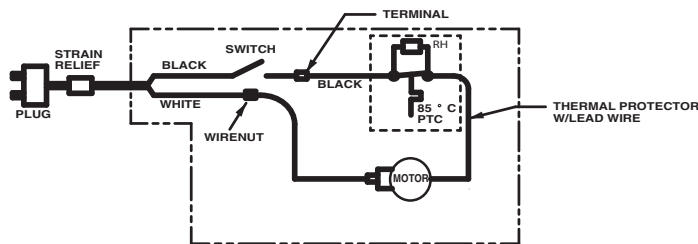
#	FASTENER DESCRIPTION	FASTENER PART NO.	PART THAT FASTENER IS USED ON	QTY REQ'D	TORQUE RANGE (in/lb)	QTY PER PKG.		
22	Pin, .125 x .5	03-00474-01M	Carrying Strap	2	n/a	100		
26	Screw, #8 -10 X .5" Plt 30 Zinc	03752-01M	Feet / Handle	4 / 4	13 - 16	100		
27	Screw, #8 x .88"	03754M	Housing	5	13 - 16	100		
28	Screw, #8 - 10 x 1/2"	03-00471-01M	Housing Door Knob	1	13 - 16	100		
39	Wire Nut 71B 16 - 22 AWG	03-00599-01M		1	35 - 55	100		

Wiring Diagram

**WHEN REPLACING THE MOTOR FOR BB280, BB850, BB870, BB900 OR BB1000 USE KIT #09-72158-01
WHEN REPLACING THE MOTOR FOR BB1100 USE KIT #09-73058-01**

WHICH INCLUDES:
MOTOR
LARGE MOTOR MOUNT
MOTOR MOUNT REAR (SMALL)
WIRENUT

SCHEMATIC DIAGRAM



WIRING DIAGRAM FOR MOTOR KIT COMPACT CANISTER VACUUM

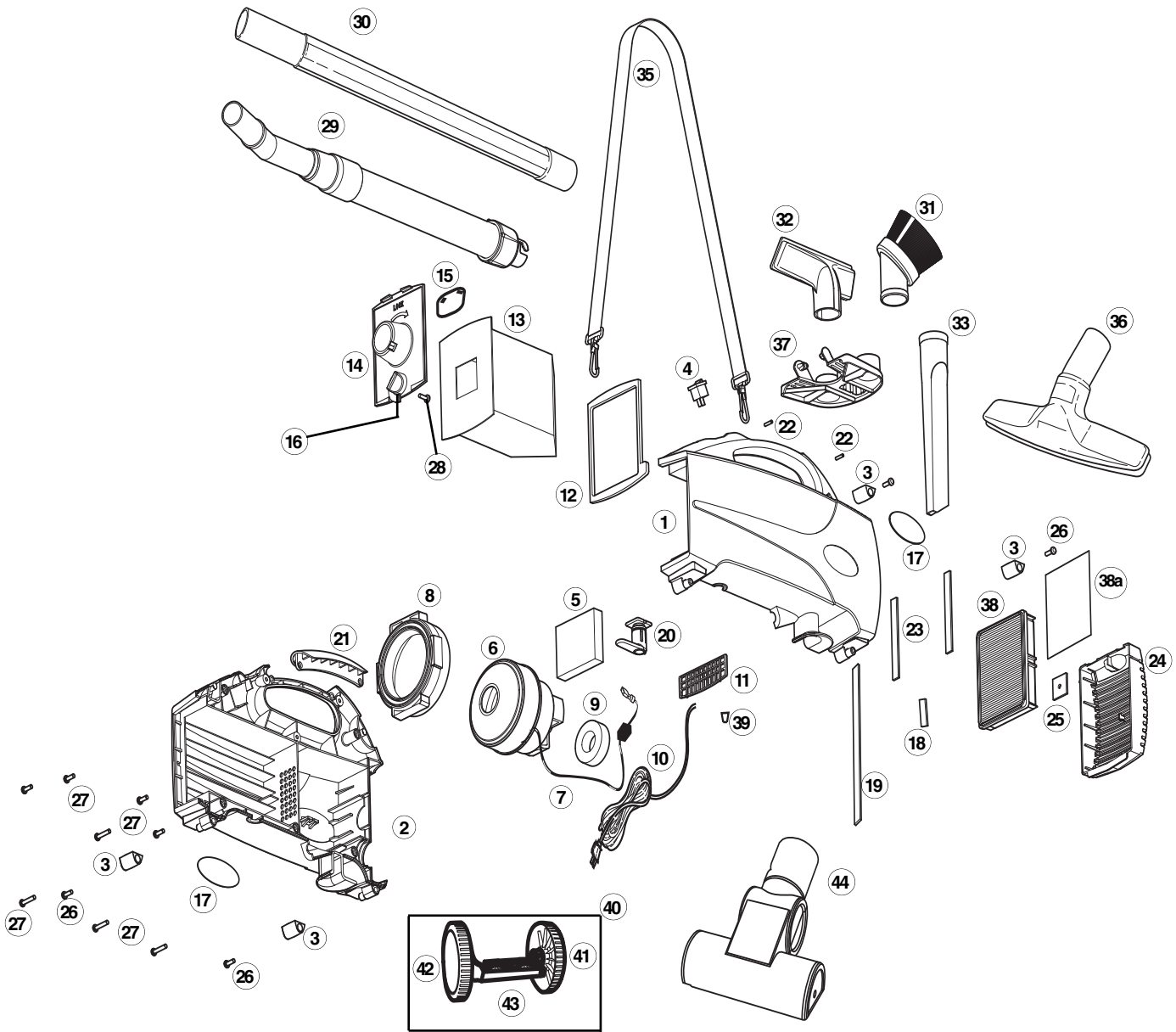
NOTES:

- ALL TERMINALS ARE QUICK SLIDE.
- IF TERMINAL ON WHITE LEAD FROM CORD, STRIP INSULATION FROM CORD & USE WIRENUT.

IMPORTANT SAFETY NOTES:

- UNPLUG UNIT BEFORE SERVICING.
- REPLACEMENT OF MOTORS SHOULD ONLY BE DONE BY AN EXPERIENCED ELECTRICIAN OR AN AUTHORIZED ORECK SERVICE CENTER.

Parts Diagram



Part Numbers Listing: BB1000DC, BB1000DB

#	Item	Order #	Qty.	Pk.			
1	BB1000DC: Left Housing w/Feet, Creme, Type 1, Order #2 also	09-73033-04	1	1	NLA	NLA	NLA
	BB1000DC: Left Housing w/Feet, Creme, Used with item #40	09-73033-06	1	1			
	BB1000DB: Left Housing w/Feet, Black	09-73033-03	1	1	NLA	NLA	NLA
	BB1000DB: Left Housing w/Feet, Black, Used with item #40	09-73033-05	1	1			
2	BB1000DC: Right Housing w/Feet, Creme, Type 1, Order #1 also	09-73032-04	1	1	NLA	NLA	NLA
	BB1000DC: Right Housing w/Feet, Creme, Used with item #40	09-73032-06	1	1			
	BB1000DB: Right Housing w/Feet, Black	09-73032-03	1	1	NLA	NLA	NLA
	BB1000DB: Right Housing w/Feet, Black, Used with item #40	09-73032-05	1	1			
3	Foot, Black	73013-01-0327	4	1			
4	Switch, 2 Position, Black	72002-02	1	1			
5	Micro Filter	72005-01	1	1			
6	Motor Kit	09-72158-01	1	1			
6a	Kit, Motor Brushes	09-72205-01	2	2			
7	Manual Reset Thermal Protector	72132-03	1	1			
8	Motor Mount, Cup	72123-01-0327	1	1			
9	Motor Mount, Small	73044-01	1	1			
10	Power Cord, Black	73005-04-327	1	1			
11	Exhaust Filter Screen, Type 1 Units Only	73017-01-0327	1	1			
12	Bag Housing Gasket	72017-02	1	1			
13	Filter Bag, 12 Pack	PKBB12DW	1	12			
14	BB1000DC: Complete Housing Door Assembly, Creme	09-73014-52	1	1			
	BB1000DB: Complete Housing Door Assembly, Black	09-73014-51	1	1			
15	Dust Flap, Mylar	72088-01	1	1			
16	Housing Door Knob, Black	72090-01-0327	1	1			
17	Label, Badge Decal, Silver	73020-02	2	1			
	Label, Badge Decal, Gold	73020-01	2	1			
18	Gasket, 5 x .150	73047-01	2	1			
19	Gasket, 13.25 x .25 x .0625	78089-01	1	1	NLA	NLA	NLA
20	Assy, Cord Wrap & Post, Black	09-75185-01	1	1			
21	Handle w/Overmold, Gray	73007-01-0384	1	1			
23	Gasket, Filter Housing	73018-01	2	1			
24	BB1000DC: Housing, Filter, Creme	73004-01-453	1	1			
	BB1000DB: Housing, Filter, Black	73004-01-0327	1	1			
25	Scent Cartridge, Vanilla, 8 Pk	FA1PK	1	8			
25a	Scent Cartridge, Mulberry, 8Pk	FA2PK	1	8			
25b	Scent Cartridge, Jasmine, 8Pk	FA3PK	1	8			
38	HEPA Filter	HF1000	1	1			
38a	Micro Filter Electritech	82079-01	1	1			
40	Wheel Kit, <i>includes #41, #42, #43</i> Type 3 Units Only	09-73069-01	1	1			
41	Wheel	09-82032-01	2	1			
42	Wheel Cap	82035-01-0327	2	1			
43	Wheel Bracket	73065-01-0327	1	1			
	User's Manual	73071-01	1	1			

Accessories:

29	Hose Assy, Black Slinky, ShurLoc	73019-01-0327	1	1			
	Hose Assy, 60" Black, ShurLoc	73068-01-0327	1	1			
30	Wand, Extension Ratcheting	73026-01-0327	1	1			
31	Dusting Brush, Black	73027-01-0327	1	1			
32	Upholstery Tool, Black	72030-01-0327	1	1			
33	Crevice Tool, Black	72031-01-0327	1	1			
34	Adapter Tube, Black	73041-01-0327	1	1			
35	Carrying Strap, Black	73010-01-0327	1	1			
36	Floor and Wall Brush, Black	73028-01-0327	1	1			
37	Tool Caddie, Black	73012-01-0327	1	1			

Part Numbers Listing: BB1100DC, BB1100DB, BB1100DBSQ

#	Item	Order #	Qty.	Pk.			
1	BB1100DC: Left Housing w/Feet, Creme BB1100DB, BB1100DBSQ: Left Housing w/Feet, Black	09-73033-06 09-73033-05	1 1	1 1			
2	BB1100DC: Right Housing w/Feet, Creme BB1100DB, BB1100DBSQ: Right Housing w/Feet, Black	09-73032-06 09-73032-05	1 1	1 1			
3	Foot, Black	73013-01-0327	4	1			
4	Switch, 2 Position, Black	72002-02	1	1			
5	Micro Filter	72005-01	1	1			
6	Motor Kit	09-73058-01	1	1			
6a	Kit, Motor Brushes	09-72205-01	2	2			
7	Manual Reset Thermal Protector	72132-03	1	1			
8	Motor Mount, Cup	72123-01-0327	1	1			
9	Motor Mount, Small	73044-01	1	1			
10	Power Cord, Black	73005-04-327	1	1			
12	Bag Housing Gasket	72017-02	1	1			
13	Filter Bag, 12 Pack	PKBB12DW	1	12			
14	BB1100DC: Complete Housing Door Assembly, Creme BB1100DB, BB1100DBSQ: Complete Housing Door Assembly, Black	09-73014-52 09-73014-51	1 1	1 1			
15	Dust Flap, Mylar	72088-01	1	1			
16	Housing Door Knob, Black	72090-01-0327	1	1			
17	Label, Badge Decal, Silver	73020-02	2	1			
	Label, Badge Decal, Gold	73020-01	2	1			
18	Gasket, 5 x .150	73047-01	2	1			
20	Assy, Cord Wrap & Post, Black	09-75185-01	1	1			
21	Handle w/Overmold, Gray	73007-01-0384	1	1			
23	Gasket, Filter Housing	73018-01	2	1			
24	BB1100DC: Housing, Filter, Creme BB1100DB, BB1100DBSQ: Housing, Filter, Black	73004-01-453 73004-01-0327	1 1	1 1			
25	Scent Cartridge, Vanilla, 8 Pk	FA1PK	1	8			
25a	Scent Cartridge, Mulberry, 8Pk	FA2PK	1	8			
25b	Scent Cartridge, Jasmine, 8Pk	FA3PK	1	8			
38	HEPA Filter	HF1000	1	1			
38a	Micro Filter Electritech	82079-01	1	1			
40	Wheel Kit, <i>includes #41, #42, #43</i>	09-73069-01	1	1			
41	Wheel	09-82032-01	2	1			
42	Wheel Cap	82035-01-0327	2	1			
43	Wheel Bracket	73065-01-0327	1	1			
44	BB1100DBSQ: Crumb Snatcher Power Brush	SNATCH1	1	1			
	User's Manual	73071-01	1	1			

Accessories:

29	Hose Assy, 60" Black, ShurLoc	73068-01-0327	1	1			
30	Wand, Extension Ratcheting	73026-01-0327	1	1			
31	Dusting Brush, Black	73027-01-0327	1	1			
32	Upholstery Tool, Black	72030-01-0327	1	1			
33	Crevice Tool, Black	72031-01-0327	1	1			
34	Adapter Tube, Black	73041-01-0327	1	1			
35	Carrying Strap, Black	73010-01-0327	1	1			
36	Floor and Wall Brush, Black	73028-01-0327	1	1			
37	Tool Caddie, Black	73012-01-0327	1	1			

Troubleshooting

NOTICE: Make sure the unit is unplugged before removing any part off the unit.

<p>1. Problem being checked:</p>

<p>a: Solution</p>

1. Unit Not Picking Up:

- a: Check hoses and attachments for clog.
- b: Change bag.

2. Noisy:

- a: Check flap for any debris. Remove any hard objects in bag.
- b: Motor fan may be off balance.

3. Unit Dead:

- a: If thermal protect on old motor is bad replace motor.
- b: If new motor, then unplug unit for 15 minutes; then try to restart. If unit does not come on then replace the manual reset thermal protect wire. If motor does not run, replace motor.
- c: Check switch for failure, if bad, replace switch.
- d: Check cord for failure, if bad, replace cord.

4. Unit Getting Over-Heated:

- a: Make sure motor is in place and not at an angle.
- b: Make sure motor has a thermal protect.
- c: Check bag.
- d: Check for obstructions in hose, door and/or accessories.
- e: Check for clog in rear filter.

An Oreck Authorized Service Center should do all technical servicing.

