

ORECK[®] XI_{|||||}[®]

S I M P L Y A M A Z I N G[®]

Service Parts List

HALO Upright Vacuum Cleaner Models

HALO100

Type 1 and 2



REV C. Please disregard all previous versions.

Service Information

- Component configuration on exploded view may differ in case of specific versions. However, the actual components are distinguished by means of item and part numbers.
- If a repair has been made, make sure that all functions of the appliance are working correctly.
- Spare parts have been standardized as much as possible and the part may not be the exact replacement part.

Data Label



Type Code: Represents product service revision number.

Julian Date Code:
Represents date of manufacture.
08 Represents the year.
365 Represents the day in that year.

Wiring Diagrams

For complete and updated wiring diagrams and information, please reference the Halo Tune-up & Service Guide. This document can be accessed through Oreckretail.Com at the web address listed below:

<https://www.oreckretail.com/retail/documents/servicetrainingguides/index.cfm>

STANDARD FASTENER HARDWARE LISTING

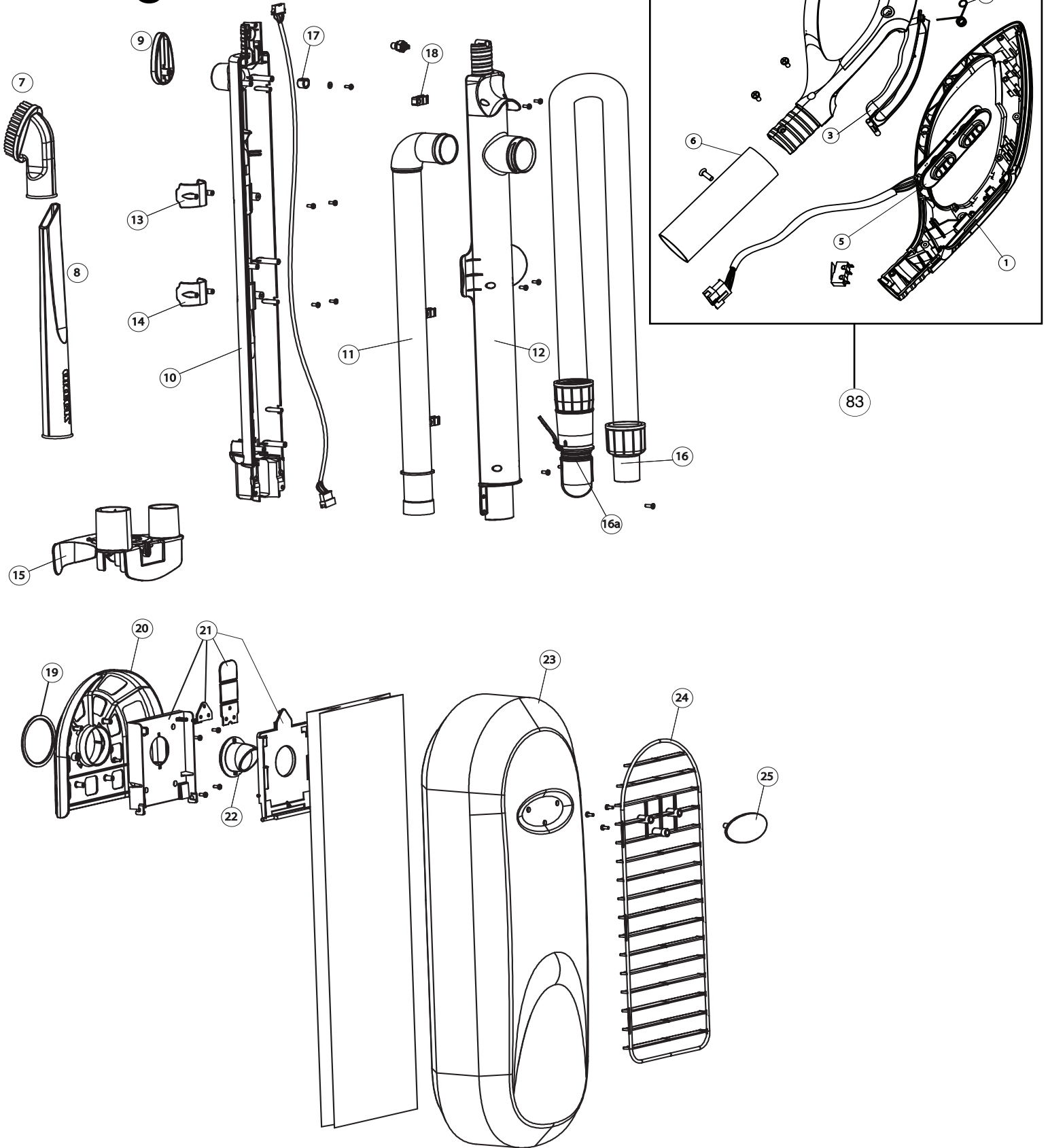
Fasteners Fit Upright Listed in Service Parts List

#	FASTENER DESCRIPTION	FASTENER PART NO.	PART THAT FASTENER IS USED ON	QTY REQ'D	TORQUE RANGE (in/lb)	QTY PER PKG.
85	Screw, #5 x 7/16 Phillips Pan Head	03-00447-01M	Handle Assembly	4	4.5 - 6.5	100
			Handle Button Assembly	2	4.5 - 6.5	100
			Dirt Tube Assembly	7	4.5 - 6.5	100
			Brush/Hose Holder	4	4.5 - 6.5	100
			Outer Bag/Dust Bag Holder	9	4.5 - 6.5	100
			Top Cover/Light/Switch/Foot Pedal	16	4.5 - 6.5	100
			Logo Plate	2	4.5 - 6.5	100
			Hose Door Assembly	1	4.5 - 6.5	100
			UV Glass Cover Assembly	4	4.5 - 6.5	100
			CHA Assembly	4	4.5 - 6.5	100
			Main Circuit Board/Tilt Sensor	8	4.5 - 6.5	100
			86	Screw, #6 x 7/16 Flathead Phillips Black	03-00626-01M	Cord Wrap
Handle Assembly - Tube	1	6-8				100
Fan Housing Cover	1	6-8				100
UV Glass Cover Assembly	3	6-8				100
Intake Cover	2	6-8				100
87	Screw, #8 x .75 Phillips Pan Head	03-00476-01M	Fan Housing Intake Cover	8	13-16	100
			Base Chassis / Top Cover	10	13-16	100
			Fan Housing	2	13-16	100
			Brush Roller Motor	3	13-16	100
			UV Lamp Housing/Reflector	2	13-16	100
			Brushroll Cover	6	13-16	100
			Wind Pipe	4	13-16	100

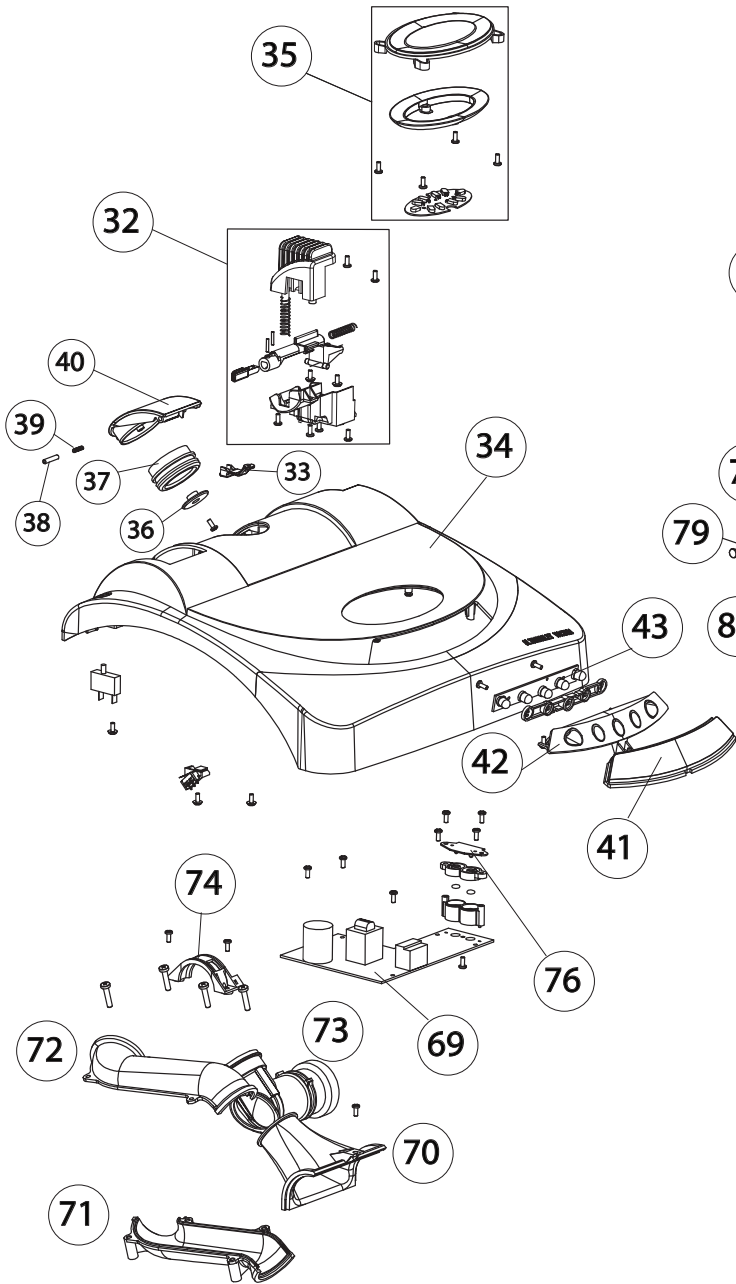
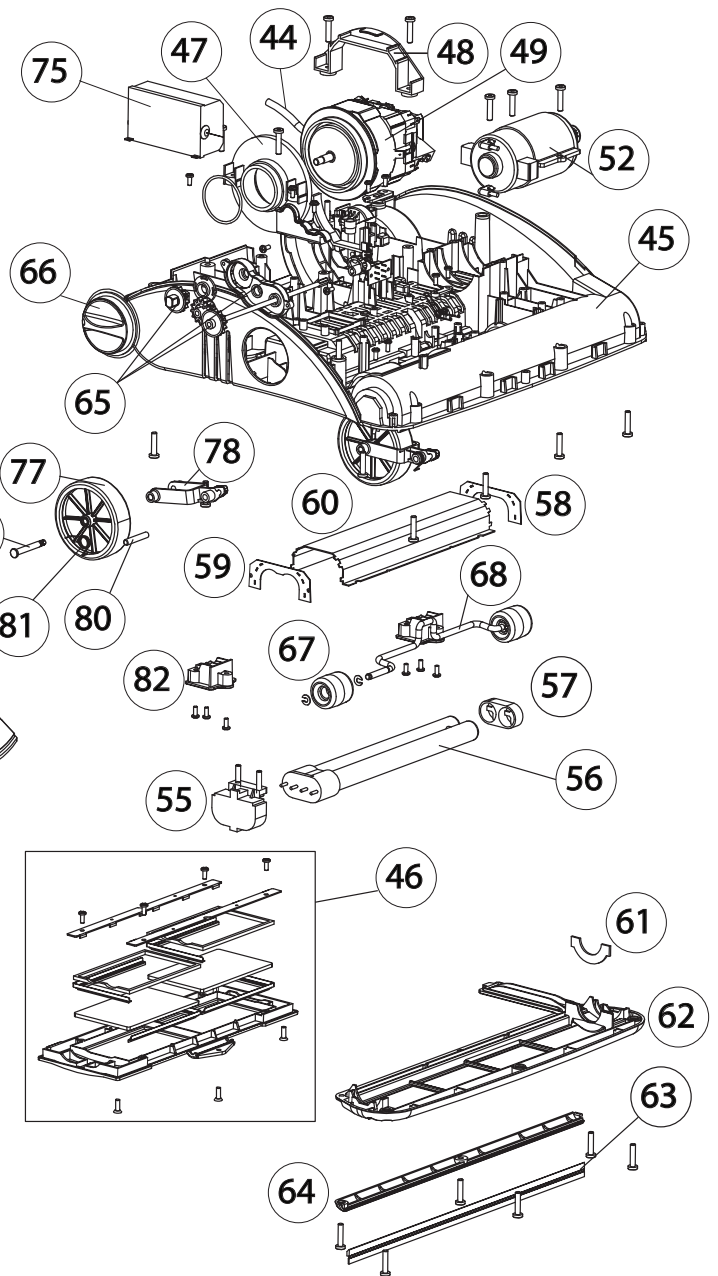
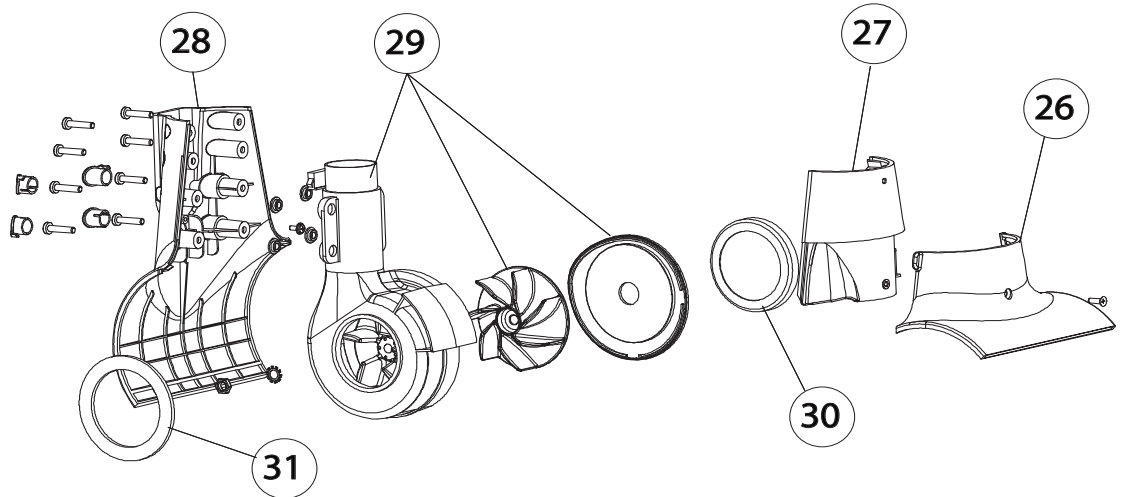
Switch and Wiring Harness Assemblies

Kit Number	Description		
87601+008+8032	LED Light Harness	1	1
87601+008+5220	Handle Button Assembly Top w/Switch	1	1
87601+008+5010	Dirt Tube Connector	1	1
87601+008+8022	Logo LED Board	1	1
87601+008+5090	Tilt Switch	1	1
87601+008+5080	Brushroll Harness	1	1
87601+008+5000	Lower Handle to Main Board	1	1
87601+008+8052	Detent Harness w/Switches and Board	1	1
87601+003+5041	Door Open Harness w/Switch (Tool Door)	1	1
87601+008+5060	Main Motor Harness (Orange)	1	1
87601+008+5030	Right Rear Wheel Interlock w/Switch	1	1
87601+008+5050	Foot Pedal Harness	1	1
87601+008+5070	Main Motor Harness (Yellow)	1	1
87601+008+5020	Left Rear Wheel Interlock w/Switch	1	1

Parts Diagram



Parts Diagram



Part Numbers Listing: HALO100

#	Item	Order #	Qty.	Pk.			
1	Handle, Left Grip with Overmold	87601+008+4050	1	1			
2	Handle, Right Grip with Overmold	87601+008+4060	1	1			
3	Grip Button	87601+008+4100	1	1			
4	Handle Spring	87601+008+4060	1	1			
5	Handle Button Cover, Top	87601+008+5220	1	1			
6	Handle Tube	87601+008+4080	1	1			
7	Attachment Brush	87601+008+4030	1	1			
8	Crevice Tool Attachment	87601+008+4040	1	1			
9	Cord Wrap hook	87601+008+4160	1	1			
10	Tube Back body	87601+008+4150	1	1			
11	Dirt Air Tube	87601+008+4120	1	1			
12	Tube Front Body	87601+008+4130	1	1			
13	Brush Holder	87601+008+4180	1	1			
14	Hose Holder	87601+008+4190	1	1			
15	Lower Cord Wrap	87601+008+4010	1	1			
16	Soft Hose Assembly	87601+008+4020	1	1			
16a	Hose Cuff Seal Ring	87601+008+5350	1	1			
17	Pom Ring	87601+008+4170	1	1			
18	Cord Clip	87601+008+4200	1	1			
19	Bag Retainer	87601+008+4220	1	1			
20	Bag Bracket	87601+008+4230	1	1			
21	Dust bag Holder Assembly	87601+008+4270	1	1			
22	Rubber Lead	87601+008+4280	1	1			
23	Fabric Outer Bag	87601+008+4240	1	1			
24	Bag Support Frame	87601+008+4250	1	1			
25	Logo Badge for Outer Bag	87601+008+4260	1	1			
26	Cover, Fan Housing	87601+008+4290	1	1			
27	Front Cover, Fan Housing	87601+008+4300	1	1			
28	Back Cover, Fan Housing	87601+008+4310	1	1			
29	Fan Housing Assembly	87601+008+4490	1	1			
30	O-Ring	87601+008+4500	1	1			
31	White Felt	87601+008+4250	1	1			
32	Foot Pedal Kit	87601+008+4320	1	1			
33	Foot Pedal Lock Cover	87601+008+4330	1	1			
34	Base Cover	87601+008+4340	1	1			
	Base Cover - Type 2	87601+008+4341	1	1			
35	Logo Assembly Lighted	87601+008+4350	1	1			
36	Door Seal Cover	87601+008+4380	1	1			
37	Door Seal Rubber	87601+008+4390	1	1			
38	Door Shaft	87601+008+4400	1	1			
39	Door Spring	87601+008+4420	1	1			
40	Hose Door	87601+008+4410	1	1			
	Hose Door - Type 2	87601+008+4411	1	1			

Part Numbers Listing: HALO100

#	Item	Order #	Qty.	Pk.			
41	Front Light Cover	87601+008+4430	1	1			
42	Front Light Housing	87601+008+4440	1	1			
43	Front Light Board with LED	87601+008+4450	1	1			
44	Cord	87601+008+4460	1	1			
45	Chassis	87601+008+4470	1	1			
46	UV Glass Cover Assembly	87601+008+4480	1	1			
47	Fan Housing Felt Cover	87601+008+4510	1	1			
48	Blower Motor Damping Rubber (Not Shown)	87601+008+4560	1	1			
49	Blower Motor	87601+008+4570	1	1			
50	Blower Motor Cover	87601+008+4580	1	1			
51	Brush Roller (Not Shown)	87601+008+4590	1	1			
52	Motor and Pulley	87601+008+4600	1	1			
53	Belt (Not Shown)	87601+008+4610	1	1			
54	UV Chamber Seal	87601+008+4620	1	1			
55	UV Lamp Socket	87601+008+4630	1	1			
56	UV Lamp	87601+008+4640	1	1			
57	UV Lamp Damping	87601+008+4650	1	1			
58	UV Reflector Left	87601+008+4660	1	1			
59	UV Reflector Right	87601+008+4670	1	1			
60	UV Reflector	87601+008+4680	1	1			
61	Brush Seal	87601+008+4690	2	1			
62	Brush Cover	87601+008+4700	1	1			
63	Squeegee	87601+008+4710	1	1			
64	Squeegee Cover	87601+008+4721	1	1			
65	Carpet Height Adjustment Assembly	87601+008+4730	1	1			
66	Carpet Height Adjustment Knob	87601+008+4740	1	1			
67	Front Wheel Assembly (Includes e Clips)	87601+008+4750	2	1			
68	Front Wheel Shaft	87601+008+4760	1	1			
69	Main Board Assembly	87601+008+4770	1	1			
70	Intake	87601+008+4780	1	1			
71	Wind Pipe Bottom	87601+008+4790	1	1			
72	Wind Pipe Top	87601+008+4800	1	1			
73	Inlet pipe	87601+008+4810	1	1			
74	Intake Cover	87601+008+4820	1	1			
75	Ballast	87601+008+4830	1	1			
76	Tilt Switch Cover	87601+008+8072	1	1			
77	Rear Wheel	87601+008+4920	1	1			
78	Rear Wheel Swing	87601+008+4930	1	1			
79	Rear Wheel Shaft	87601+008+4940	1	1			
80	Rear Wheel Swing Shaft	87601+008+4990	1	1			
81	Rear Wheel Spring	87601+008+4980	1	1			
82	Rear Wheel Cover	87601+008+4910	1	1			
83	Complete Upper Handle Assembly	87601+008+5151	1	1			

Troubleshooting

For complete and updated troubleshooting please consult the Troubleshooting Matrix within the Tune up and Service manual available online at:

<https://www.oreckretail.com/retail/documents/servicetrainingguides/index.cfm>