

ORECK[®] XL[®]

SIMPLY AMAZING[®]

Service Parts List



IRONMAN

IM76

IM88

IM98

IM90

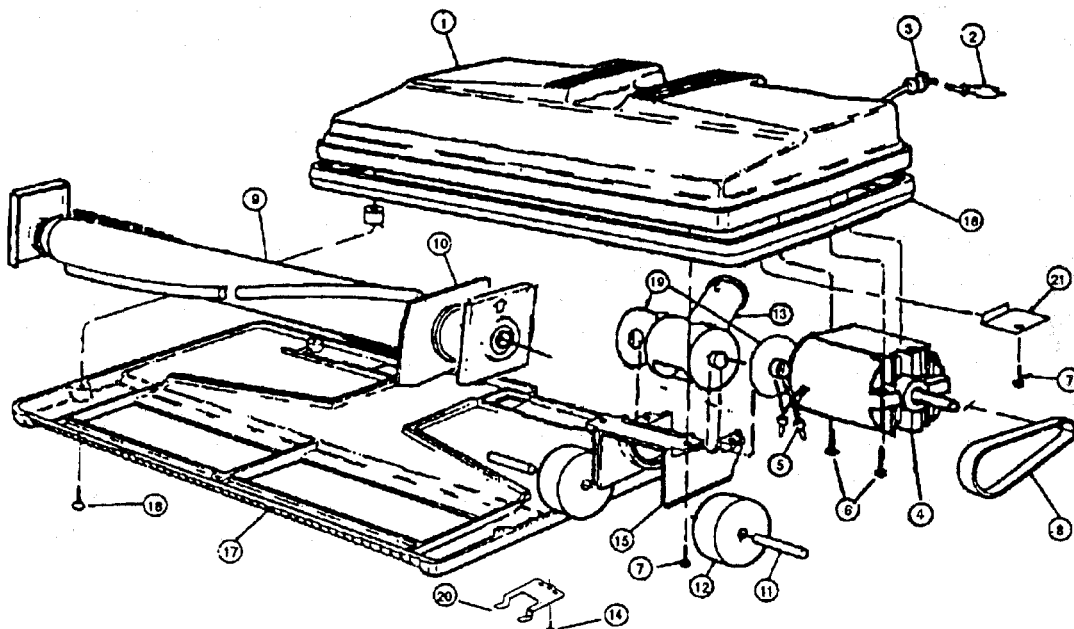
REV M., Please disregard all earlier versions.

Part Numbers Listing: Ironman Power Nozzle

#	Item	Order #	Qty.	Pk.			
1	UPPER HOUSING	62233A	1	1			
2	POWER CORD	62235K	1	1			
3	STRAIN RELIEF	61577A	1	1			
4	MOTOR	62953A	1	1			
5	CONNECTOR	61199	1	1			
8	DRIVE BELT	62240	1	1			
9	BALANCED BRUSH ROLL	63950A	1	1			
10	DUST SHIELD	62249	1	1			
11	AXLE	62250	1	1			
12	WHEEL	62251A	1	1			
13	NOZZLE ASSEMBLY	62231C	1	1			
15	RETAINER ASSEMBLY	62232C	1	1			
16	BUMPER	62257F	1	1			
17	LOWER HOUSING	62259C	1	1			
19	BUSHING	62418	1	1			
20	PRT CLIP	64605	1	1			
21	WIRE CONNECTOR COVER	62881	1	1			

Standard Fastener and Hardware Listing

#	PART DESCRIPTION	FASTENER PART NO.	FASTENER DESCRIPTION	QTY REQ'D	QTY PER PKG.		
6	SCREW, MOTOR	62571M	# 6 X 1"	2	100		
7	SCREW, CONN. COVER	61183M	# 8 X 5/8"	2	100		
14	SCREW, PRT CLIP,	62260M	# 8 X 7/16"	1	100		
18	SCREW, LWR. HOUSING	63966M	# 8 X 7/16"	2	100		



Part Numbers Listing: IM76, IM88, IM98 & IM90

#	Item	Order #	Qty.	Pk.			
1	LEFT HOUSING, GREEN (IM88 / IM98)	62731F	1	1			
	LEFT HOUSING, BLACK (IM76 / IM90)	62731D	1	1			
2	RIGHT HOUSING, GREEN (IM88 / IM98)	62730F	1	1			
	RIGHT HOUSING, BLACK (IM76 / IM90)	62730D	1	1			
3	BASE PLATE	62735M	1	1			
4	INLET ASSEMBLY	80034F	1	1			
5	EXHAUST GRILL	62734F	1	1			
6	CORD RETAINER	62736F	1	1			
7	CORD, 25', 2 CONDUCTOR (IM88 / IM98 / IM90)	61576T	1	1			
	CORD, 22', 3 CONDUCTOR (IM76)	80310	1	1	NLA	NLA	NLA
8	SWITCH 2 SPEED (IM88 / IM98)	80058B	1	1			
	ROCKER SWITCH, 2 SPEED W/ DIODE (IM90)	80058C	1	1			
	SLIDE SWITCH SINGLE SPEED (IM76)	62763	1	1			
9	WIRE CONNECTOR	61199	1	1			
	MOTOR KIT ORDER ITEM 10 ALSO	91082A	1	1			
10	MOTOR GASKET, REAR	62738A	1	1			
11	MOTOR & END COVER ASSEMBLY	63620A	1	1	NLA	NLA	NLA
12	SEAL FRONT MOTOR (IM88 / IM98 / IM76)	62737A	1	1			
	SEAL FRONT MOTOR (IM90)	62006	1	1			
13	FOAM FILTER	62795	1	1			
14	DISPOSABLE FILTER BAGS	PKIM765	5	1			
15	SEAL VACUUM	62741	2	1			
18	GLAMOUR	62764A	1	1			
19	SCREEN, MOTOR	62760	1	1			
20	DOLLY	62784B	1	1			
21	PLASTIC WHEELS	62251A	2	1			
22	AXLE	62785	1	1			
23	SWIVEL CASTER	63962	1	1			
24	CREVICE TOOL	72031-01-0327	1	1			
25	DUSTING BRUSH	72029-01-0327	1	1			
26	FLEXIBLE HOSE (IM88 / IM90)	63957	1	1			
28	ELECTRIFIED HOSE	80448	1	1	NLA	NLA	NLA
29	CURVED WAND WITH LOCK	63956A	1	1			
30	HOSE COUPLING	64607	1	1			
31	PIG TAIL (IM88 / IM98)	64602	1	1			
32	WAND 1 - 1/4" WITH LOCK	62597G	1	1			
32a	WAND 1 - 1/4"	62759E	1	1			
33	BARE FLOOR & CARPET TOOL	D252	1	1			
34	UPHOLSTERY TOOL	72030-01-0327	1	1			
37	SLEEVE, FIBERGLASS	62941	1	1			
38	WIRE CONNECTOR	62150	1	1			
39	POWER RUG TOOL (IM98)	80450	1	1			

Part Numbers Listing: IM76, IM88, IM98 & IM90

#	Item	Order #	Qty.	Pk.			
40	SOCKET	64603	1	1			
	DECAL, RIGHT HOUSING (IM76 / IM88 / IM98)	62743K	1	1			
	DECAL, RIGHT HOUSING (IM90)	62742L	1	1			
	DECAL, LEFT HOUSING	62743K	1	1			
	DECAL, LEFT HOUSING (IM90)	62743L	1	1			
	DECAL, SWITCH	62890	1	1			
	MANUAL, OWNER'S (IM90)	62749R	1	1			

Standard Fastener and Hardware Listing

#	PART DESCRIPTION	FASTENER PART NO.	FASTENER DESCRIPTION	QTY REQ'D	QTY PER PKG.			
16	SCREW, HOUSING	03-00402-01M	# 8 X 1 1/2"	2	100			
17	SCREW, HOUSING	03-00476-01M	# 8 X 3/4"	6	100			
36	SCREW, SWIVEL CASTER	03749M	# 8 X .5"	2	100			

Parts Diagram

