

ORECK[®] XL[®]

S I M P L Y A M A Z I N G[®]

Service Manual



LOW BOY
LB8000
LB8500
LB8005

REV P., PLEASE DISREGARD ALL EARLIER VERSIONS.

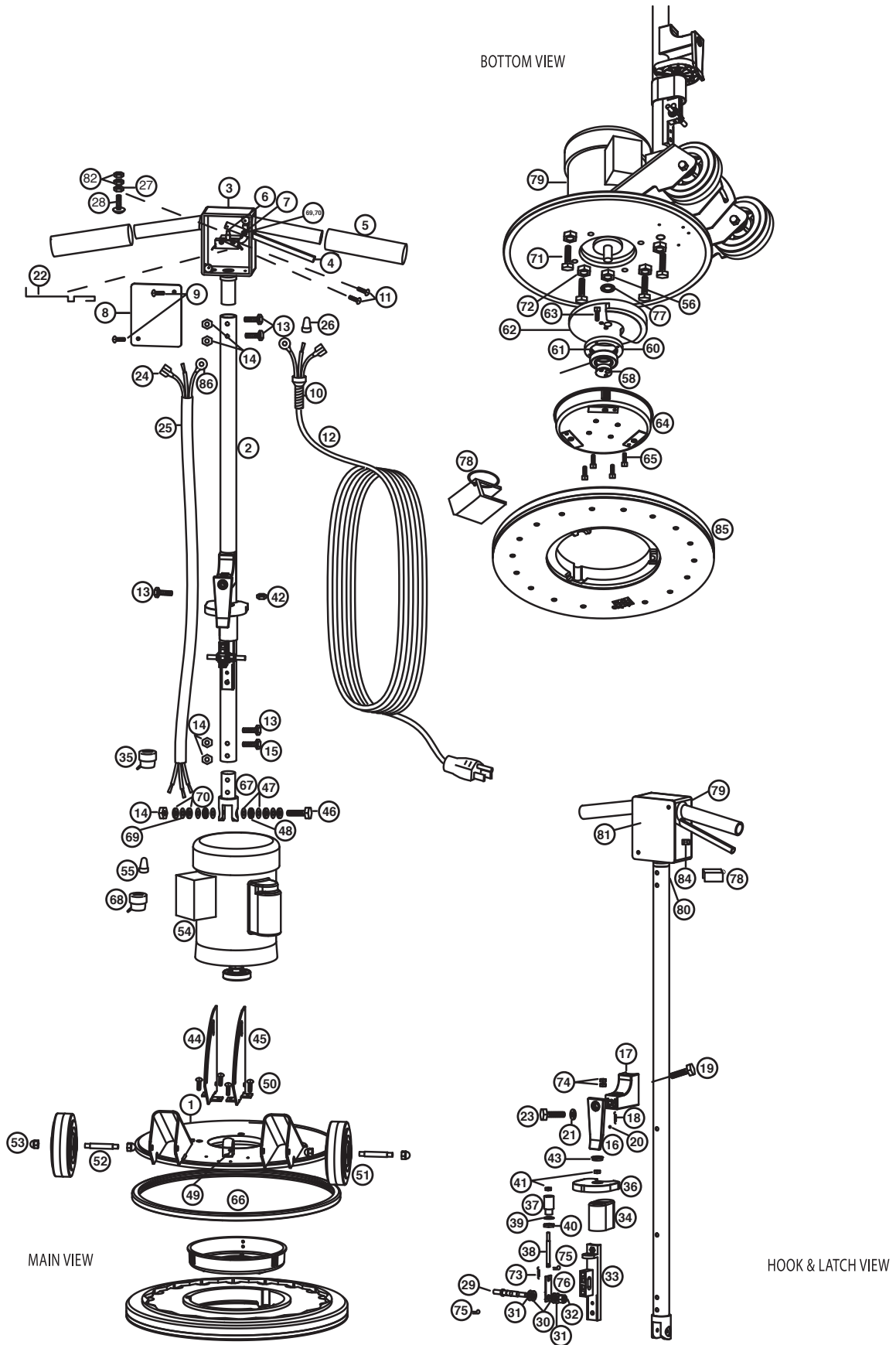
Data Label



Type Code: Represents product service revision number.

Julian Date Code:
Represents date of manufacture.
00 Represents the year.
166 Represents the day in that year

Parts Diagram:



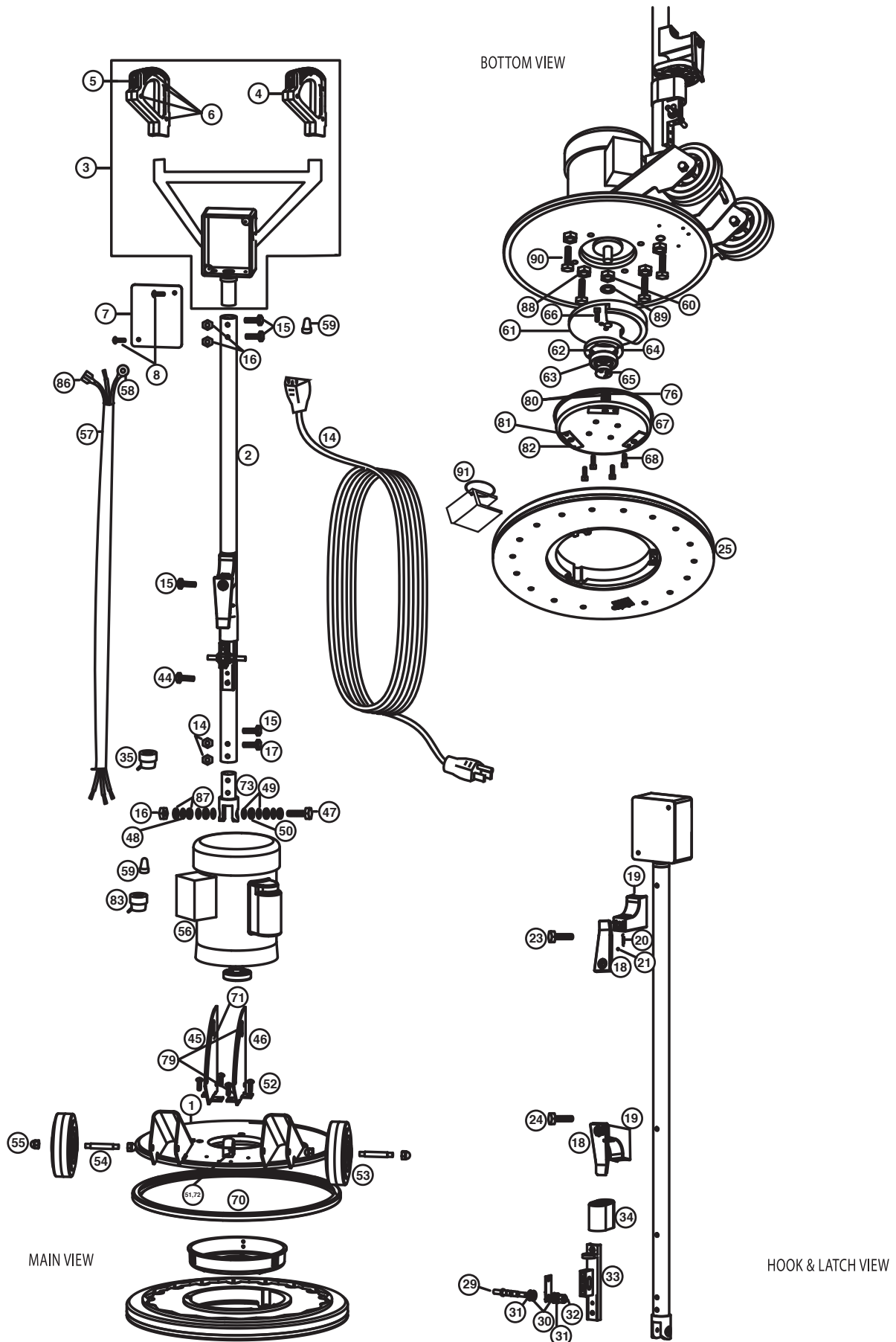
Part Numbers Listing: LB8000, LB8005

#	Item	Order #	Qty.	Pk.			
1	Housing Assembly	53233-01	1	1			
2	Handle Tube	53190-01	1	1			
3	Upper Handle	53191-01	1	1			
4	Lever	53236-01	1	1			
5	Grip	53192-01-0327	2	1			
6	Switch	53193-01	1	1			
7	Screw, 1/4 x 5/8 Shoulder Bolt	03-00541-01	1	1			
8	Cover Box	53194-01	1	1			
9	Screw, #6 x 1/2 Flat Head	03-00542-01	2	1			
10	Heyco #3243	03-00543-01	1	1			
11	Screw, #6 x 1 Round Head	03-00544-01	2	1			
12	LB8000: Cord, Power, 50', Green	53195-01-450	1	1			
	LB8005: Cord, Power, Order #24 & #86 also	53305-01	1	1			
13	Bolt, 1/4 x 20 x 1 1/2"	03-00545-01	4	1			
14	Nut, 1/4 x 20 Lock	03-00526-01	5	1			
15	Bolt, 1/4 x 20 x 1.25"	03-00525-01	1	1			
16	Hook, Upper Cord Wrap	53196-01-436	1	1			
17	Body, Upper Cord Wrap	53197-01-436	1	1			
18	Spring, Quick Release Cord Wrap	53198-01	1	1			
19	Screw, 1/4 x 20 x 2 3/4 Bolt	03-00547-01	1	1			
20	Ball, Delrin	53199-01-0328	1	1			
21	Washer, Flat 1/4 x 5/8 x 1/16	03-00548-01	1	1			
22	Spring Switch	53200-51	1	1			
23	Bolt, 1/4 x 20 x 1"	03-00549-01	1	1			
24	1/4" Quick Slide	53272-01	1	1			
25	LB8000: Harness	09-53254-51	1	1	NLA	NLA	NLA
	LB8005: Harness, Order #24 & #86 also	53306-02	1	1			
26	Wire Nut	03-00444-01	1	1			
27	Nut w/External Washer #8	03-00539-01	1	1			
28	Screw, #8 x 3/4	03-00582-01	1	1			
29	Locking Pin	53202-01	1	1			
30	Washer, 3/8 x 3/4 x .052 Teflon	03-00551-01	2	1			
31	Washer, 3/8 x 3/4 x 1/16 Flat	03-00552-01	3	1			
32	Nut, 3/8 x 24, Locking Bracket	03-00553-01	1	1			
33	Locking Bracket	53203-01-0327	1	1			
34	Boot	53204-01-436	1	1			
35	Heyco 1200	03-00520-01	1	1			
36	Manual Release Lift	53205-01-0327	1	1			
37	Lift Bushing	53206-01-0328	1	1			
38	Shaft	53207-01	1	1			
39	Lockwasher, 5/8 x 7/16 x 3/64	03-00555-01	1	1			
40	Nut, 5/32 Thick	03-00556-01	1	1			
41	Nut, 1/4 x 20	03-00557-01	2	1			
42	Nut, Jam 1/4 x 20	03-00558-01	1	1			
43	Cap, Heyco #1696	03-00559-01	1	1			
44	Arc, Left	53208-01	1	1			

Part Numbers Listing: LB8000, LB8005 Continued

#	Item	Order #	Qty.	Pk.			
45	Arc, Right	53209-01	1	1			
46	Bolt, 1/4 x 20 x 2 1/2, Ground	03-00560-01	1	1			
47	Washer, Ground 1/4 TRB411	03-00561-01	4	1	NLA	NLA	NLA
48	Bearing, Thrust 1/4 NTA441	03-00562-01	2	1	NLA	NLA	NLA
49	Bearing, Pivot	53210-01-0327	1	1			
50	Screw, #10 x 24 x 7/16 Patch	03-00535-01	4	1			
51	Assembly, Wheel w/Bearing	09-53247-51	2	1			
52	Axle, 3/8 x 2 5/8	03-00563-01	2	1			
53	Nut, Axle Acorn 3/8	03-00564-01	4	1			
54	Motor Kit	09-53212-01	1	1			
55	Wire Nut, Orange	03-00565-01	3	1			
56	Nut, 5/8 x 18 Jam	03-00566-01	1	1			
57	Assembly, Bearing & Retainer (Includes Items 59-60)	09-53266-51	1	1			
58	Plug	53160-01	1	1			
59	Bearing	53161-01	1	1			
60	Retainer	53162-01	1	1			
61	Spacer	53163-01	1	1			
62	Flywheel Plate	53214-01	1	1			
63	Screw, 1/4 x 20 x 3/4 Socket Head	03-00567-01	2	1			
64	Assembly, Pan Bottom	09-53246-51	1	1			
65	Screw, 8-32 x 1/4 Pan Shoulder	03-00568-01	4	1			
66	Bumper	53218-01-450	1	1			
67	Pivot	53219-01	1	1			
68	Heyco	03-00571-01	1	1			
69	Washer, Plastic	03-00572-01	3	1			
70	Washer, Plastic	03-00573-01	5	1			
71	Bolt, Motor	03-00574-01	4	1			
72	Washer, Lock 3/8	03-00575-01	4	1			
73	Spring, Pin Lock	53222-01	1	1			
74	Nut, Square	03-00576-01	2	1			
75	Pin, Cotter Locking	03-00577-01	2	1			
76	Pin, Lift Locking	53223-01	1	1			
77	Washer, Lock Motor Shaft	03-00578-01	1	1			
78	Assembly, Locking Key	09-53248-51	1	1			
79	Label, Motor and Top	53226-01	1	1			
80	Label, Warning	53228-01	1	1			
81	Label, Warning Set	53273-01	1	1			
82	Nut, #8	03-00533-01	2	1			
83	Cable Tie, Motor Baffle	03-00426-01	1	1			
84	Clamp, Nylon Wire	53255-01	1	1			
85	Pad Holder	53269-01-0327	1	1			
85a	Green Bristle Pad Holder	53304-01	1	1			
86	Ring Connector	53139-01	1	1			
	Dust Shield	5200037	1	1			
	LB8000: Owner's Manual	53231-03	1	1			
	LB8005: Owner's Manual	53307-01					

Parts Diagram:



Part Numbers Listing: LB8500

#	Item	Order #	Qty.	Pk.			
1	Housing Assembly	53233-01	1	1			
2	Tube Handle	5200301	1	1			
3	Upper Handle Assembly	5200302	1	1			
4	Helping Hand Grip	09-75301-02	2	1			
5	Switch Handle Release	75110-02	2	1			
6	Screw Grip	8807027	8	1			
7	Cover Box	53194-01	1	1			
8	Screw, 6 x 1/2 Flat Head	03-00542-01	2	1			
9*	Relay	5200417	1	1			
10*	Socket	5200402	1	1			
11*	Heyco 9068	5200116	2	1			
14	Cord, Power	5200403	1	1	NLA	NLA	NLA
15	Bolt, 1/4 x 20 x 1-1/2"	03-00545-01	4	1			
16	Nut, 1/4 x 20 Lock	03-00526-01	5	1			
17	Bolt, 1/4 x 20 x 1.25"	03-00525-01	1	1			
18	Hook, Upper Cord Wrap	53196-01-436	2	1			
19	Body, Upper Cord Wrap	53197-01-436	2	1			
20	Spring, Quick Release Cord Wrap	53198-01	1	1			
21	Ball, Delrin 1/4' Upper Cord Wrap	53199-01-0328	1	1			
23	Bolt, 1/4 x 20 x 1", Upper Cord Wrap Hook to Body	03-00549-01	1	1			
24	Bolt, 1/4 x 20 x 4 1/4", Lower Cord Wrap	03-00550-01	1	1			
25	Pad Holder	53269-01-0327	1	1			
25a	Pad Holder, Green Bristle	53304-01	1	1			
26	Lower Cord Wrap & Hook	5200320	1	1	NLA	NLA	NLA
27*	Heyco Solenoid	5200700	1	1			
28*	Solenoid	5200404	1	1			
29	Locking Pin	53202-01	1	1			
30	Washer, 3/8 x 3/4 x .052, Teflon	03-00551-01	2	1			
31	Washer, 3/8 x 3/4 x 1/16, Flat	03-00552-01	4	1			
32	Nut, 3/8 x 24, Locking Bracket	03-00553-01	1	1			
33	Bracket Locking Mechanism	53203-01-0327	1	1			
34	Boot	53204-01-436	1	1			
35	Heyco 1200	03-00520-01	1	1			
36*	Heyco Sensor Cable	03-00554-01	1	1			
37*	Sensor Frame	5200309	1	1			
38*	Sensor Circuit Board	5200405	2	1	NLA	NLA	NLA
39*	Heyco Snap Rivet	5200705	4	1			
40*	Assembly, Hall Sensor	09-53297-01	3	1			
41*	Cable Holder, 3/16" Sensor Pkg	5200706	1	1			
42*	Screw, 8 x 32 x 3/8", Sensor Cable Wrap	5200115	1	1			
43*	Nut, 8 x 32, Sensor Cable Wrap	03-00533-01	1	1	NLA	NLA	NLA
44	Screw, 10 x 24 x 1 1/4", Sensor Mounting	5200117	1	1			
45	Arc, Left	53208-01	1	1			
46	Arc, Right	53209-01	1	1			
47	Bolt, 1/4 x 20 x 2 1/2", Ground	03-00560-01	1	1			

Part Numbers Listing: LB8500 Continued

#	Item	Order #	Qty.	Pk.			
48	Washer, Plastic	03-00572-01	2	1			
49	Washer, Ground, 1/4 TRB411	03-00561-01	4	1			
50	Thrust Bearing, 1/4 NTA411	03-00562-01	1	1			
51	Bearing, Pivot	53210-01-0327	1	1			
52	Screw, #10 x 24 x 7/16" Patch	03-00535-01	4	1			
53	Wheels	09-53247-51	2	1			
54	Axle, 3/8 x 2 5/8"	03-00563-01	2	1			
55	Nut, Axle Acorn 3/8	03-00564-01	2	1			
56	Motor Kit	09-53212-01	1	1			
57	Cord, Power Handle SJTO W-A	5200408	1	1			
58	Closed Loop Connector #8	53139-01	1	1			
59	Wire Nut, Orange	03-00565-01	3	1			
60	Nut, Jam, 5/8 x 18	03-00566-01	1	1			
61	Flywheel Plate	53214-01	1	1			
62	Spacer	53163-01	1	1			
63	Bearing	53161-01	1	1			
64	Retainer Bearing	53162-01	1	1			
65	Plug Bearing	53160-01	1	1			
66	Cap Screws, Bearing Plug Mounting	03-00567-01	2	1			
67	Assembly, Pan Bottom	09-53246-51	1	1			
68	Screw, Pan	03-00568-01	4	1			
69*	Circuit Board Assembly	5200414	1	1	NLA	NLA	NLA
70	Bumper	53218-01-450	1	1			
71	Magnets, Flexible	5200712	1	1			
72	Jig Latch Bolt	53234-01	1	1			
73	Pivot	53219-01	1	1			
74*	Post Circuit Board Mounting	5200713	1	1			
75*	Support Circuit Board Mounting	5200714	1	1			
76	Bracket Bottom Pan	53220-01	1	1			
77*	1/8" Pop Rivet Socket	5200116	1	1			
78*	Flat Washer #6 Socket	5200123	1	1			
79	CD10M 3/5" Round Magnet	5200412	2	1			
80	Rivet, 5/32 Bracket Mounting Pan	03-00569-01	6	1			
81	Rivet, 3/16 Swing Arm Mounting	03-00570-01	3	1			
82	Swing Arm Bottom Pan	53221-01	1	1			
83*	Heyco Motor Junction Box	03-00571-01	1	1			
84*	1/4 x 20 Nut 5/16 Heyco	5200129	1	1			
85	Heyco 5/16" Power Cord	5200716	1	1			
86	1/4" Quick Slide	53272-01	1	1			
87	Washer, Plastic	03-00573-01	4	1			
88	Washer, Lock 3/8	03-00575-01	4	1			
89	Washer, Lock Motor Shaft	03-00578-01	1	1			
90	Bolt, Motor	03-00574-01	4	1			
91	Locking Key Assembly	09-53248-51	1	1			
	Dust Shield	5200037	1	1			
	Owner's Manual	53231-03	1	1			

*Parts Not Shown

Wiring Diagram:

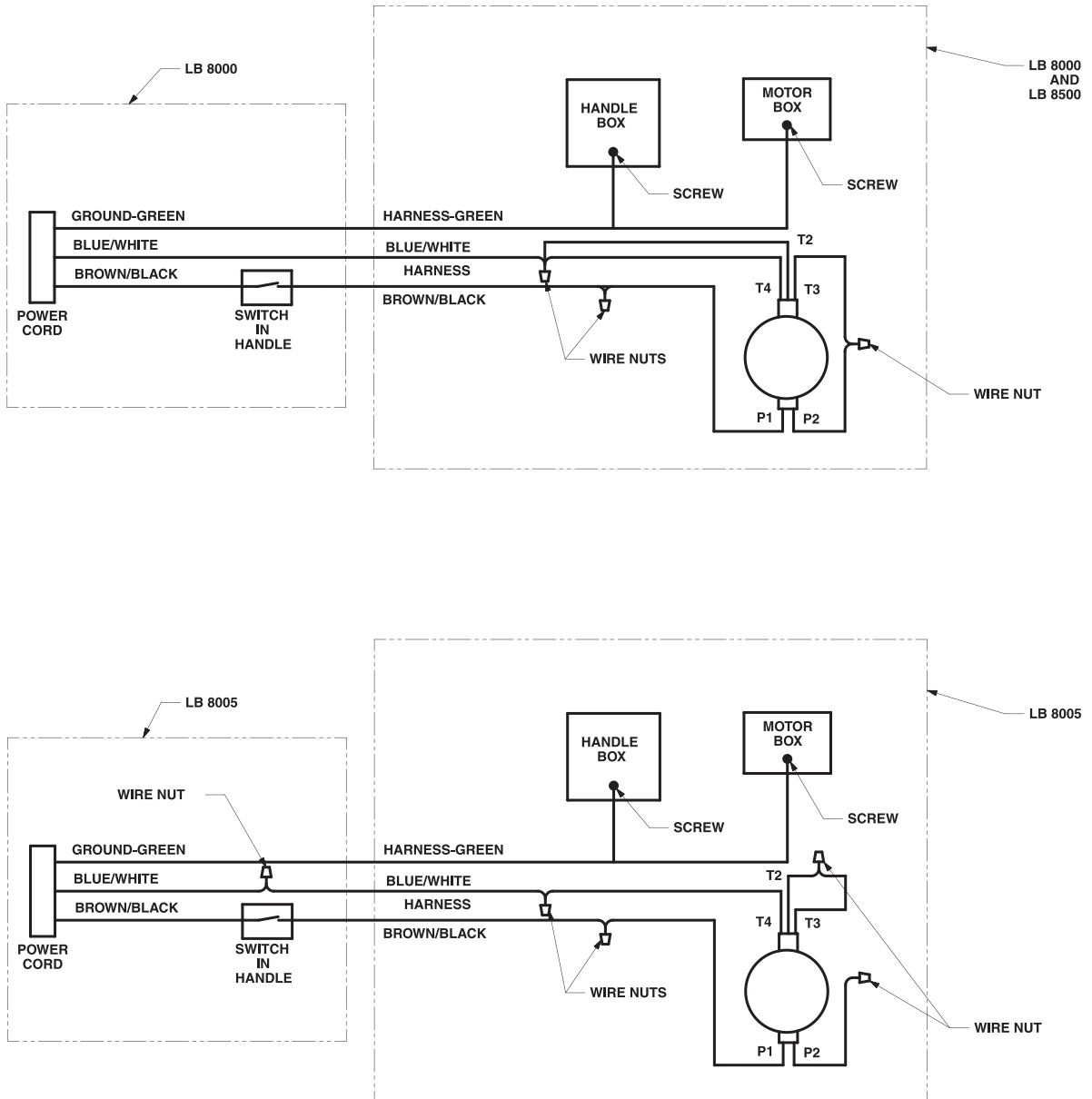
WIRING DIAGRAM FOR MOTOR KIT 09-82207-01

KIT INCLUDES:

- MOTOR

IMPORTANT SAFETY NOTES

- UNPLUG UNIT BEFORE SERVICING
- REPLACEMENT OF MOTORS SHOULD ONLY BE DONE BY AN EXPERIENCED ELECTRICIAN OR AN AUTHORIZED ORECK SERVICE CENTER.



Low Boy 8000, 8500 & 8005

53293-01

