

ORECK[®] XL[®]

S I M P L Y A M A Z I N G[®]

Service Parts List



STEEMER

XLS465

XLS465Q

XLS700

XLS700Q

M800

M800Q

REV AD., Please disregard all earlier versions.

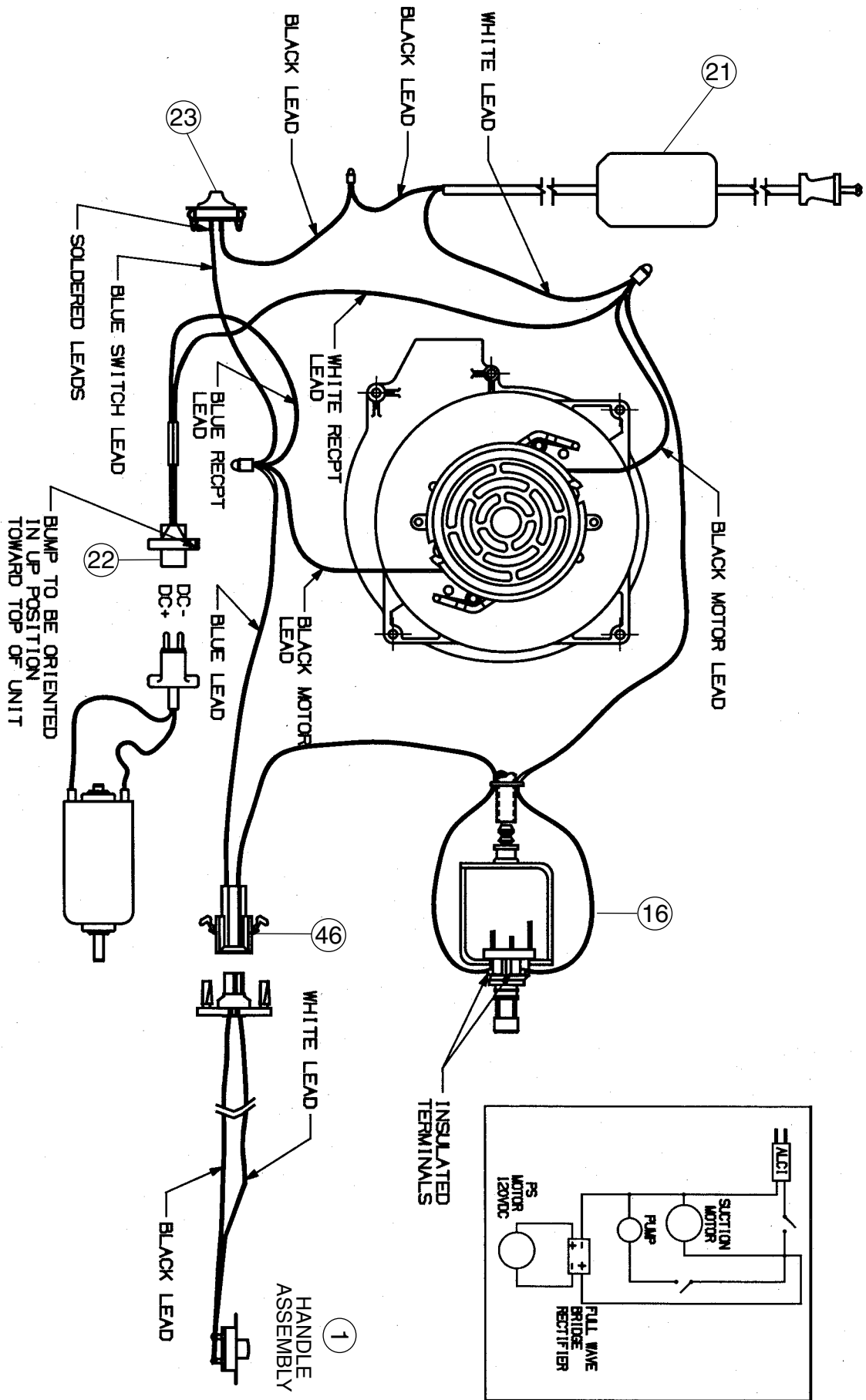
Standard Fastener and Hardware Listing: XL465 / XLS465Q / XLS700 / XLS700Q

#	PART DESCRIPTION	FASTENER PART NO.	FASTENER DESCRIPTION	QTY REQ'D	TORQUE RANGE (in. lb)	QTY PER PKG.			
3	Front Housing Screw	03-00402-01M	#8-10 X 1.5 Phillips	1	9 - 12	100			
7	Handle Screw Front Hsg to Rear Hsg Rear Housing to Frame Nipple Quick Connect Pump Cover Screw	03-00390-15M	#8-10 X .62 Phillips	3 2 4 1 4	9 - 12	100			
33	Struts to Mainframe Bottle Docking Screw Struts to Tiebar Stand to Mainframe Handle to Mainframe	03-00389-15M	#10 - 9 X .62 Hi Lo	2 2 2 1 4	13 - 16	100			
35	Body Separator to Frame Motor Cover Screw Motor Clamp Screw	03754M	#8 X .88 Phillips	2 3 1	13 - 16	100			
36	Washer	03-00391-15M	#10 Flat	2	N/A	100			
45	Body Separator	03819M	#8-10 X 1.0	5	13 - 16	100			
56	Top Cover Screw Receptacle Rear Housing	03-00413-23M	#6-11 X .75 Phillips	4 2	12 - 15 9 - 12	100			
71	Dowel Clamp Screw	03-00410-23M	#6-11 X .75 Phillips	3	12 - 15	100			
82	Wire Connector (Large)	03-00408-01M		2	N/A	100			
83	Wire Connector	03-00432-02M		1	N/A	100			
86	Tank Block Screw	03-00410-23M	#6-11 x .75 Dich w/Zinc	1	9 - 12	100			
	Cable Tie	03-00404-01		2	N/A	1			
88	Upholstery Coupling	52367-03-0000		1	N/A	1			

Standard Fastener and Hardware Listing: M800 / M800Q

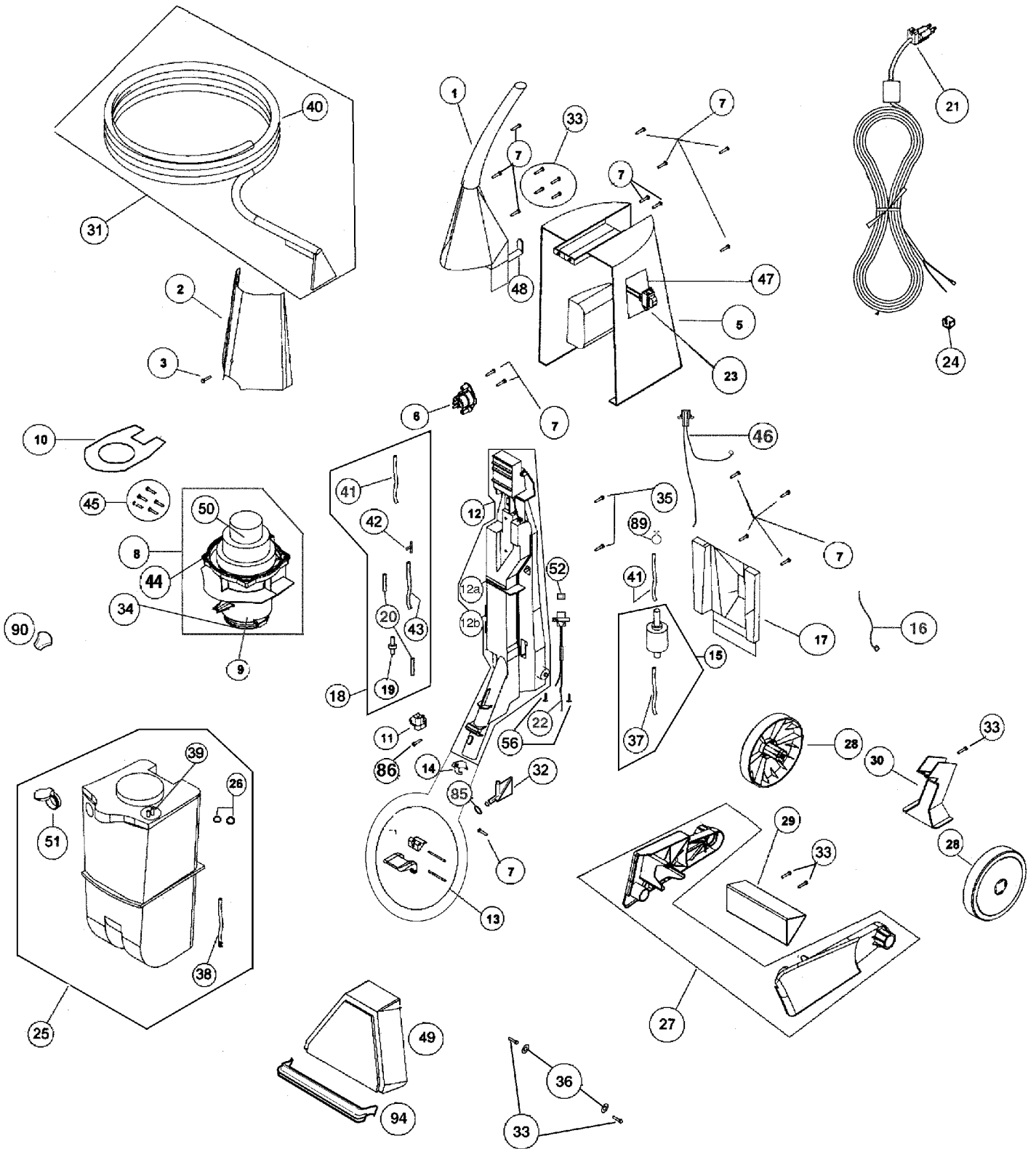
#	PART DESCRIPTION	FASTENER PART NO.	FASTENER DESCRIPTION	QTY REQ'D	TORQUE RANGE (in. lb)	QTY PER PKG.			
3	Front Housing Screw	03-00402-01M	#8-10 X 1.5 Phillips	1	9 - 12	100			
7	Handle Screw Front Hsg to Rear Hsg Rear Housing to Frame Nipple Quick Connect Pump Cover Screw	03-00390-15M	#8-10 X .62 Phillips	3 2 4 1 4	9 - 12	100			
33	Struts to Mainframe Bottle Docking Screw Struts to Tiebar Stand to Mainframe Handle to Mainframe	03-00389-15M	#10 - 9 X .62 Hi Lo	2 2 2 1 4	13 - 16	100			
35	Body Separator to Frame	03754M	#8 X .88 Phillips	2	13 - 16	100			
36	Washer	03-00391-15M	#10 Flat	2	N/A	100			
45	Body Separator Brushroll Tray	03-00629-01M	#8 X 5/8 Zinc Dichromate	5 5	13 - 16	100			
56	Top Cover Screw Receptacle Rear Housing	03-00413-23M	#6-11 X .75 Phillips	4 2	12 - 15 9 - 12	100			
71	Dowel Clamp, Front Nozzle, Belt Cover, Motor Clamp	03-00410-23M	#6-11 X .75 Phillips	2 / 2 1 / 1	12 - 15	100			
82	Wire Connector (Large)	03-00408-01M		2	N/A	100			
83	Wire Connector	03-00432-02M		1	N/A	100			
86	Tank Block Screw	03-00410-23M	#6-11 x .75 Dich w/Zinc	1	9 - 12	100			
	Cable Tie	03-00404-01		6	N/A	1			
88	Upholstery Coupling	52367-03-0000		1	N/A	1			

STEEMER WIRING DIAGRAM



Part Numbers Listing: XLS465, XLS465Q, XLS700, XLS700Q, M800, M800Q

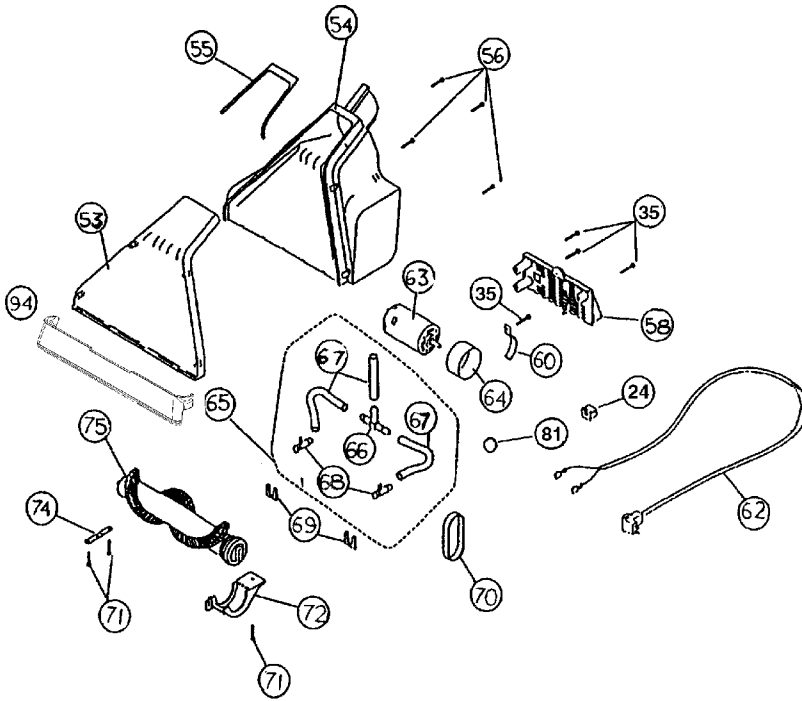
#	Item	Order #	Qty.	Pk.			
1	XLS465: Handle Assembly, Cherry XLS465Q: Handle Assembly, Navy XLS700 / XLS700Q: Handle Assembly, Black M800 / M800Q: Handle Assembly, Creme	09-52931-04 09-52931-01 09-52931-55 09-52931-06	1 1 1 1	1 1 1 1			
2	XLS465: Front Housing, Cherry XLS465Q / XLS700 / XLS700Q: Front Housing, Black M800 / M800Q: Front Housing, Creme	09-53100-01 09-53100-03 09-53100-04	1 1 1	1 1 1			
5	XLS465 / XLS465Q: Rear Housing, Gray XLS700 / XLS700Q: Rear Housing, Gray M800 / M800Q: Rear Housing, Blue	52929-01-0384 52929-02-0384 52929-03-438	1 1 1	1 1 1			
6	Bottle Docking Assembly	09-53106-01	1	1			
8	Motor & Separator Assembly	09-53059-01	1	1	NLA	NLA	NLA
9	XLS465 / XLS465Q / XLS700 / XLS700Q: Body Separator Assy ONLY M800 / M800Q: Body Separator Assembly ONLY	09-53067-02 09-53377-01	1 1	1 1			
10	XLS465 / XLS465Q / XLS700 / XLS700Q: Motor Baffle M800 / M800Q: Motor Baffle	52951-01 53363-01	1 1	1 1			
11	Tank Block, Creme	52432P2-453	1	1			
12	XLS465 / XLS465Q / XLS700 / XLS700Q: Mainframe Assy, Gray M800 / M800Q: Mainframe Assy, Blue	09-53057-01 09-53374-01	1 1	1 1			
12a	Gasket, Foam, Mainframe Tank	52747-01	1	1			
12b	M800 / M800Q: Gasket, Exhaust Foam	53401-01	1	1			
13	XLS465 / XLS465Q / XLS700 / XLS700Q: Lever Latch Assy, Gray M800 / M800Q: Lever Latch Assy, Yellow	09-53075-01 09-53075-02	1 1	1 1			
14	XLS465 / XLS465Q / XLS700 / XLS700Q: Button, Lock, Crimson Red M800 / M800Q: Button, Lock, Yellow	52427P2-0419 52427P2-452	1 1	1 1			
15	Pump with Nipple / Tube Assembly	09-52553-01	1	1			
16	Pump Lead Assembly with Terminal	52630-01	1	1			
17	XLS465 / XLS465Q / XLS700 / XLS700Q: Pump Cover, Gray M800 / M800Q: Pump Cover, Blue	52417-04-0384 52417-04-438	1 1	1 1			
18	XLS465 / XLS465Q: Connector "T" Hose Assembly	09-52768-01	1	1			
19	Check Valve	52510-01	1	1			
20	Check Valve Tube	52511-01	2 / 1*	1			*qty for M800
21	Power Cord Assembly w/ ALCI	52612-04	1	1			
22	Power Scrubber Receptacle	52611-03	1	1			
23	XLS465 / XLS465Q / XLS700 / XLS700Q: Switch, Power, Crimson Red M800 / M800Q: Switch, Power, Yellow	52613-02 52613-03	1 1	1 1			
24	Strain Relief, Square	03-00414-01	2	1			
24a	M800 / M800Q: Plug, Strain Relief, Square	78121-03-0327	1	1			
25	XLS465 / XLS465Q / XLS700 / XLS700Q: Tank Assembly, Gray M800 / M800Q: Tank Assembly, Creme	09-53069-01 09-53069-02	1 1	1 1			
26	Port O-Ring	52677-01	2	1			
27	XLS465 / XLS465Q / XLS700 / XLS700Q: Strut Pkg, Left & Right, Gray M800 / M800Q: Strut Pkg, Left & Right, Creme	09-53074-01 09-53074-02	1 1	1 1			
28	XLS465 / XLS465Q: Wheel, Gray XLS700 / XLS700Q: Wheel, Black M800 / M800Q: Wheel, Blue	52421P1-0384 52421P1-0327 52421P1-438	2 2 2	1 1 1			
29	XLS465 / XLS465Q / XLS700 / XLS700Q: Tie Bar Strut, Gray M800 / M800Q: Tie Bar Strut, Creme	52433P1-0384 52433P1-453	1 1	1 1			
30	XLS465 / XLS465Q / XLS700 / XLS700Q: Mainframe Stand, Gray M800 / M800Q: Mainframe Stand, Blue	52412-02-0384 52412-02-438	1 1	1 1			
31	Upholstery Nozzle Assy w/Hose, Blue	09-52940-02	1	1			
32	XLS465 / XLS465Q / XLS700 / XLS700Q: Nipple Quick Connect with O-Ring, Gray M800 / M800Q: Nipple Quick Connect with O-Ring, Blue	09-53058-01 09-53058-02	1 1	1 1			
34	Separator Seal, Rubber	52913-01	1	1			
37	Tube, Pump to Nipple Quick	52460-02	1	1			



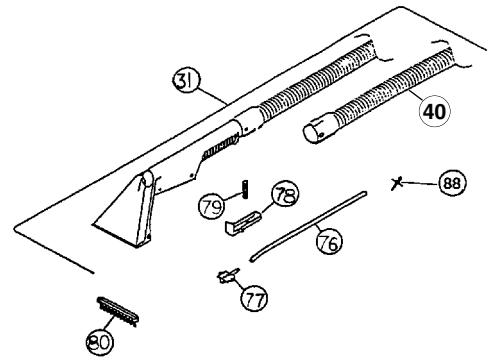
Part Numbers Listing: XLS465, XLS465Q, XLS700, XLS700Q, M800, M800Q

#	Item	Order #	Qty.	Pk.			
38	Supply Tank Tube with Filter	09-53068-01	1	1			
39	XLS465 / XLS465Q / XLS700 / XLS700Q: Port, Gray M800 / M800Q: Port, Creme	52042P2-0384 52042P2-453	1 1	1 1			
40	Hose, 10 Ft, Blue	52360P1-438	1	1			
41	XLS465 / XLS465Q: Tube "T" Connector to Pump	52459-01	1	1			
42	XLS465 / XLS465Q: Connector "T"	52436P1	1	1			
43	Tube, Bottle Dock to Tank Block & CV to DCV	52457-01	2	1			
44	XLS465 / XLS465Q / XLS700 / XLS700Q: Motor / Separator Gasket M800 / M800Q: Motor / Separator Gasket Set	05369-0029 53352-01	1 1	1 1			
46	Wire Harness, Female	52936-01	1	1			
47	XLS465 / XLS465Q / XLS700 / XLS700Q: Switch Plate, Gray M800 / M800Q: Switch Plate, Blue	52961-01-0384 52961-01-438	1 1	1 1			
48	XLS465 / XLS465Q / XLS700 / XLS700Q: Cord Dump, Gray M800 / M800Q: Cord Dump, Blue	56948-02-0384 56948-02-438	1 1	1 1			
49	XLS465 / XLS465Q / XLS700 / XLS700Q: Floor Nozzle Assembly, 9" M800 / M800Q: Floor Nozzle Assembly, 12"	09-53108-03 09-53365-51	1 1	1 1			
50	XLS465 / XLS465Q / XLS700 / XLS700Q: Main Motor M800 / M800Q: Main Motor	52981-02 53362-01	1 1	1 1			
50a	M800 / M800Q: Motor Cap (Not Shown)	53355-01-0327	1	1			
51	XLS465 / XLS465Q / XLS700 / XLS700Q: Tank Cap, Gray M800 / M800Q: Tank Cap, Yellow	52927-01-0384 52927-01-452	1 1	1 1			
52	Gasket, Receptacle	52742-01	1	1			
53	XLS465 / XLS465Q / XLS700 / XLS700Q: Nozzle Cover, 9" M800 / M800Q: Nozzle Cover, 12"	52600-02-0329 53358-01-0329	1 1	1 1			
54	XLS465 / XLS465Q / XLS700 / XLS700Q: Rear Nozzle, 9" M800 / M800Q: Rear Nozzle, 12"	09-53078-01 53356-01-438	1 1	1 1			
55	XLS465 / XLS465Q / XLS700 / XLS700Q: Nozzle Gasket M800 / M800Q: Nozzle Gasket	52738-01 77043-03	1 1	1 1			
58	XLS465 / XLS465Q / XLS700 / XLS700Q: Motor Cover	52602-01-0384	1	1			
59	M800 / M800Q: Brushroll Tray, Blue	53357-01-438	1	1			
60	Motor Clamp	26626-01	1	1			
62	Cord, Power Scrubber Plug	52610-02	1	1			
63	Power Scrubber Motor	52609-01	1	1			
64	Motor Insulation, Round	52741-01	1	1			
65	XLS465 / XLS465Q / XLS700 / XLS700Q: Connector "T" & Tubing Assembly M800 / M800Q: Connector "T" & Tubing Assembly	09-52770-01 09-53372-01	1 1	1 1			
66	Connector "T" Power Scrubber	52714-01	1	1			
67	XLS465 / XLS465Q / XLS700 / XLS700Q: Tube, Spray Tip M800 / M800Q: Tube, Spray Tip	52606-01 52606-02	3 3	1 1			
68	Power Scrubber Spray Tip	52605-01-0327	2	1			
69	XLS465 / XLS465Q / XLS700 / XLS700Q: Spray Tip Clip	52614-01	2	1			
70	XLS465 / XLS465Q / XLS700 / XLS700Q: Belt, Motor M800 / M800Q: Belt, Motor	26610-02 53364-01	1 1	1 1			
72	Belt Cover, Blue	52601-01-438	1	1			
74	Dowel Clamp	52603-01	1	1			
75	XLS465 / XLS465Q / XLS700 / XLS700Q: Dowel Brush, 9" M800 / M800Q: Dowel Brush, 12"	52608-02 53361-01	1 1	1 1			
76	Pinch Tube, Upholstery Nozzle	52543-01	1	1			
77	Spray Tip, Upholstery, Black	52716-02-0327	1	1			

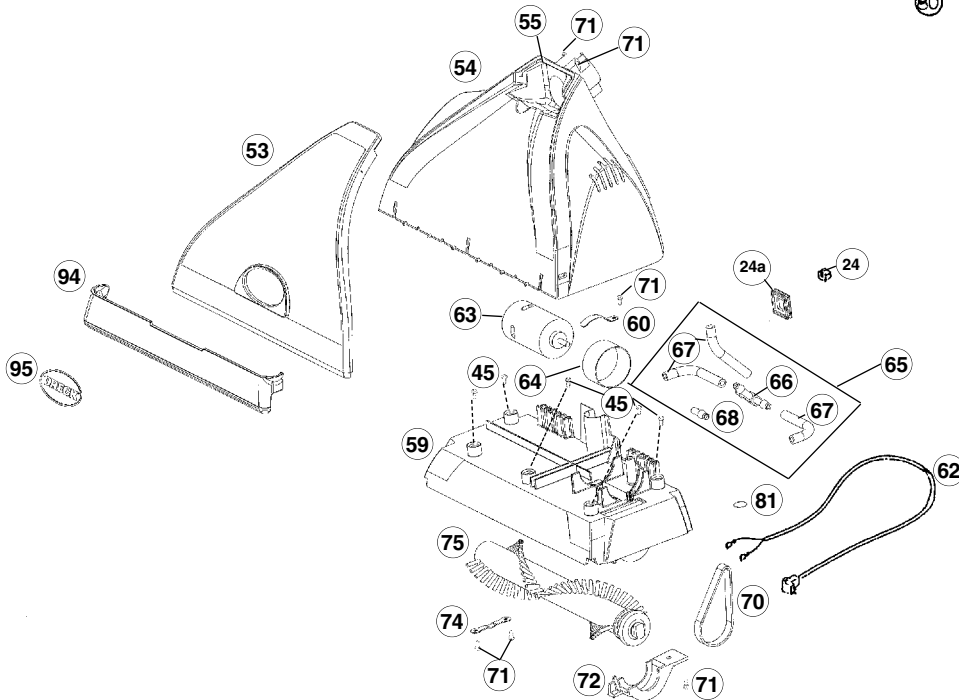
XLS465 / XLS465Q / XLS700 / XLS700Q 9" Power Nozzle

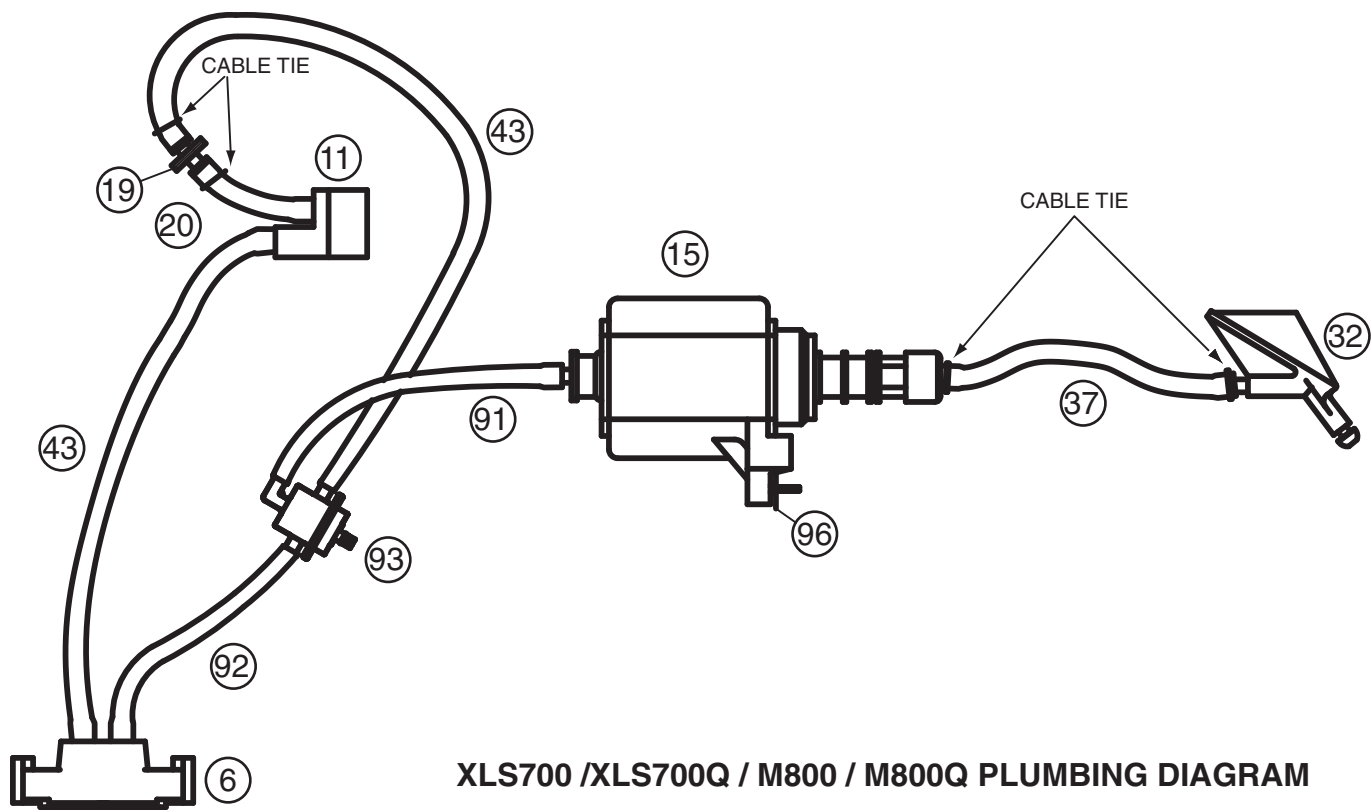
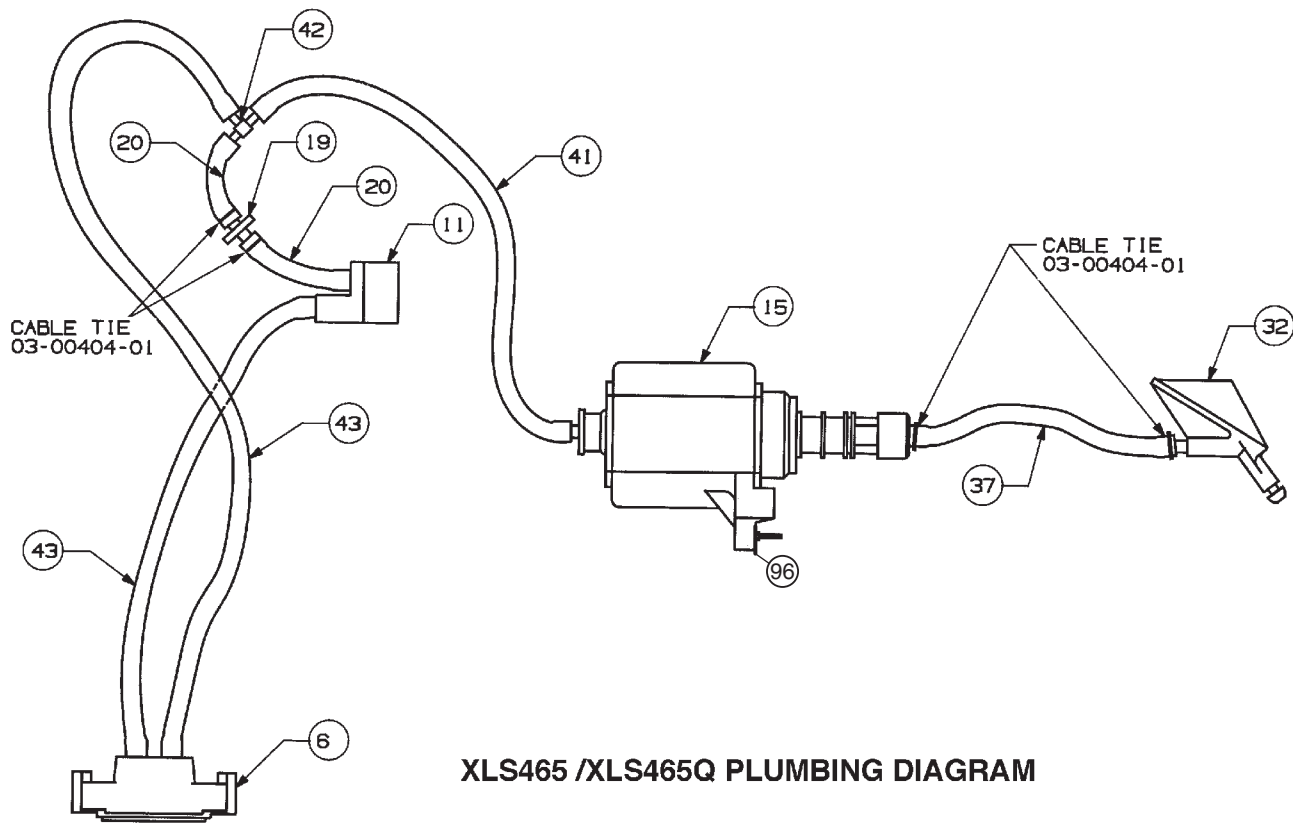


**Upholstery Nozzle
Assembly w/ Hose:**



M800 / M800Q 12" Power Nozzle





Troubleshooting

NOTICE: Make sure the shampoo bottle and Steamer tank is assembled to the unit before testing.

1. Problem being checked:

a: Solution

1. Main Motor Dead:

- a: Check carbon brushes for debris or spring misplacement.
- b: If carbon brush is damaged or missing, replace motor.

2. Motor Dead / Pump Works:

- a: Motor wire to switch wire may be disconnected.
- b: Motor wire to neutral power cord wire may be disconnected.
- c: Replace motor.

3. Unit Dead:

- a: Check motor for failure, if bad, replace motor.
- b: Check cord for failure, if bad, replace cord.
- c: Check switch for failure, if bad, replace switch.
- d: Check reset switch on ALCI power cord.

4. Power Nozzle Motor Damaged / Dead:

- a: This is a 120v DC (Direct Current) motor and if 120v AC (Alternating Current - standard household voltage) is applied to the plug of the Power scrubber only the DC motor will be damaged. The receptacle on the rear housing (bridge rectifier) should have a full waved rectified 120v DC (Direct Current).
- b: If motor is smelling, noisy, and / or dead, replace motor and check rectifier.

5. No Vacuum of Water:

- a: Check seal between body separator and tank, if bad, replace seal.
- b: Check for clogged duct and / or inlet screen. You can clear the clogged duct and / or fan inlet screen by shooting water up through nozzle end of mainframe. Needle nose pliers can be used to remove clog from fan inlet screen, if needed.
- c: Check floor nozzle or upholstery nozzle for any clogs.
- d: Check suction fan for damage, if loose or bent, replace fan.
- e: Check body separator for cracks or bad fan inlet weld. If this occurs, replace body separator and gasket.
- f: Check weld of airduct cover to mainframe. If weld is bad, replace mainframe.
- g: If you feel an air leakage from the motor bracket gasket, apply a sealing compound to leaking area.

6. Problem with Shampoo Flow:

- a: Check shampoo tube and "T" connect for clogs. Shampoo may turn into a solid if tubes are not properly cleaned by consumer as stated in the Consumer's User's Guide. If clogged in this area you can dissolve solids by removing the shampoo bottle from unit and run warm tap water into the bottle docking housing.
- b: Replace shampoo bottle.
- c: XLS700 / XLS700Q / M800 / M800Q: Make sure Detergent Control Valve is in SHAMPOO position.

7. Shampoo Flows Into Tank While Unit Is Running:

- a: Check valve may be missing, installed backwards or damaged. Damage has occurred to check valve if you can blow into the black side of the check valve and feel air coming out of the white side.

Troubleshooting

8. No Water Flow:

- a: Read **NOTICE** at the beginning of your Troubleshooting Guide.
- b: If pinch tube on upholstery nozzle is stuck together or clogged, soak pinch tube in warm tap water to dissolve shampoo solid or to bring back the bounce into the rubber pinch tube. If the problem still occurs, replace pinch tube.
- c: Replace the pump.
Make sure pump has a vibrating sensation while running. If it does not vibrate while running, replace pump. Pump may need priming, you can do this by tapping the pump gently while unit is running. You can also let the pump run for a short period of time for priming.
- d: Check nipple quick connect spray tip and floor nozzle spray tips for any clog or damage.

9. Unit Leaks:

- a: Locating source of leak is the first step to take.
- b: Check all tubes for proper connection and proper location.
- c: If leak occurs at the nipple quick connect, an O- ring may be missing and / or tube may be stretched. You may solve this problem by replacing tube and / or nipple quick connect.
- d: If leak occurs in the power nozzle, once again check the tube's for disconnect or stretched tubing. You may solve this problem by replacing with a connector "T" and tubing package.

10. ALCI Trips:

- a: Too much electrical noise in household circuit. Try other household electrical sockets. If this does not solve the problem, replace power cord w/ALCI.

11. ALCI Trips Only When Pump Is Activated:

- a: Electrical noise in pump switch. Replace pump switch. If this does not solve the problem, replace power cord w/ALCI.

12. Water Is Not Being Dispensed Onto Carpet Or Upholstery:

- a: Check water level in clean water tank. If empty, refill clean water tank with lukewarm water and empty recovery water tank.
- b: Check that shampoo cartridge and lever are attached and contain shampoo. If shampoo cartridge is empty, replace shampoo cartridge.
- c: Check spray tips. Use soft brush to clean spray tips if clogged; or, remove tube connected to spray tip barb fitting and clear clog from rear with long straight pin or needle. Replace tube securely on barb fitting.
- d: For above floor cleaning, check that Stair / Upholstery Hose is properly connected to unit neck.
- e: For above floor cleaning, check that shampoo dispensing trigger is locked on.

13. Unit Is Not Removing Heavily Soiled Traffic Area Spots and / or Food Stains:

- a: For best results, pretreat high traffic problem areas and individual stains with Professional Spot & Stain PreCleaner. This exclusive formulation loosens and removes most common household grease, oil and related food and spot stains. Spot & Stain PreCleaner emulsifies the grease, oil and dirt and then the Steamer lifts out the stain from the carpet fibers.
- b: For high traffic areas, make several additional passes at a lower speed over the heavily soiled area with the Steamer® unit. Operate unit in different directions on additional passes to clean carpet fibers thoroughly.

Troubleshooting

14. Carpet Is Excessively Wet After Cleaning:

Note: under normal conditions carpet may take 4 hours or longer to dry. Drying time depends on carpet thickness, temperature, humidity, and number of “wet” passes.

- a: Make at least one additional dry pass over the wet carpet without depressing the shampoo trigger. With each pass, pull the Steemer slowly toward you to pick up any remaining water. Pulling the unit too fast reduces water pick-up.
- b: Check for obstructions in Stair / Upholstery Hose, the unit neck and the nozzles.

15. Excessive Foaming At Spray Tips:

- a: Check to make sure clean water tank is not empty.

16. Connected Shampoo Bottle Leaks During Storage:

- a: Always remove shampoo cartridge immediately after each use. Replace the cartridge cap prior to storage. Do not store unit with shampoo cartridge attached.

17. Dark Streaks Appear On Carpet After Cleaning:

- a: Operate the machine more slowly. The Steemer® takes time to effectively clean the carpet with the shampoo solution. It is more effective to take one slow pass than several quick passes.
- b: Overlap each pass to ensure maximum cleaning without stripping.
- c: In heavily soiled carpet conditions, it may become necessary to repeat cleaning application after carpet has dried if streaked condition remains.

18. Brush Roll Does Not Turn:

- a: Check that the power nozzle plug is correctly installed in the back of the Steemer®.
- b: If a sock or other obstruction stalls the brush roll, the belt can burn through if the unit operation is continued. Unplug the unit. Check belt condition by removing the belt cover and, if necessary, replace belt.
- c: If the belt area becomes very wet, momentary belt slippage can occur. Place on a dry area of carpet and pull backward with power on, and the belt should dry out and begin functioning properly in a minute or less.

19. Unit Won't Run Or Suddenly Stops:

- a: Due to fluctuations in household current the A.L.C.I. may occasionally trip off in operation. These are called nuisance trip. The reset button should be used to reset the A.L.C.I. and restart the unit.

Optional Accessories

Carpet Shampoo:	40032-03
Upholstery Shampoo:	40033-03
Spot & Stain Pre-cleaner:	FRSS 131
Valu-6-pack:	FRC 132
Allergen Control Kit w/Spot & Stain:	FRC400
Allergen Control Carpet Shampoo:	40257-01