

# ORECK<sup>®</sup> XL<sup>®</sup>

## SIMPLY AMAZING<sup>®</sup>

# Service Parts List

XL21 / Platinum / Pilot Series

### Upright Vacuum Cleaner

XL21-600ECC  
XL21-600ECB  
XL21-700ECC  
XL21-700ECB  
XL21-700ECP  
XL21-700ECT  
XL21-750ECB  
XL21-750ECT  
XL21-780EYB  
XL21-780EYM

### Platinum Series Units

U7000ECR  
U7000ECB  
U7000ECP  
U7100ECB

### Pilot Series Units

U7200ECB  
U7210ECB  
U7210ECR  
U7240ECS  
U7300ECB  
U7220ECS  
U7230ECS  
U7330ECBS

### Power Team

U7050ECB  
U7010ECS

### Gold Professional Series

U7060ECS  
U7070ECS  
U7020ECBS  
U7030ECBS



REV CO, Please disregard all earlier versions.

# Service Information

- 1 Component configuration on exploded view may differ in case of specific versions. However, the actual components are distinguished by means of item and part numbers.
- 1 If a repair has been made, make sure that all functions of the appliance are working correctly.
- 1 Spare parts have been standardized as much as possible and the part may not be the exact replacement part.
- 1 To extend life of top cover, use 03751M screw for baseplate if current screw strips.

# Data Label



SN 700ECPSE000672-3  
 FOR HOUSEHOLD USE ONLY DATE: 06095  
 POUR USAGE MENAGER W: 10/21 YR  
 CONFORMS TO UL STD 1017  
 CERTIFIED TO CSA C22.2 NO.243-01  
 TYPE 5 MODEL: U7000ECBS  
 120 VOLTS 60 HZ 3.5 AMP  
**ORECK** XI  
 COOKEVILLE, TN 38506 U.S.A.  
 Customer Service US 1-800-989-3535  
 Canada 1-888-676-7325 www.oreck.com



**Type Code:** Represents product service revision number.

**Type 1:** Initial Production

**Type 2:** Hardwire Handle

**Type 3:** Tube & Fan Housing

**Type 4:** Upper Handle Tube & Connector

**Type 5:** Fan Housing Assembly

**Type 6:** Baseplate - Requires Knurled Axles

**Julian Date Code:**

Represents date of manufacture.

06 Represents the year.

095 Represents the day in that year.

## Metaxalloy™ Fan Replacement Kit #09-79066-01

Replaces Fan Housing in all ORECK® PILOT SERIES upright models .  
 Must use both washers included in kit.

### INSTRUCTIONS:

1. Remove old fan housing
2. Replace Fan Housing, felt seal and both washers
3. Place nut back on and tighten



### IMPORTANT SAFETY NOTES:

- 1 Unplug unit before servicing.
- 1 Replacement of fans should only be done by an experienced technician or an authorized **ORECK Service Center**.

©2009 Oreck Holdings, LLC. All rights reserved. 77117-05 11/09 R-9737

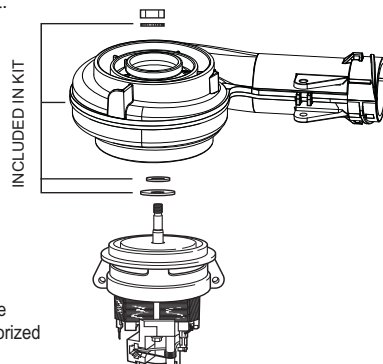
## Metaxalloy™ Fan Replacement Kit #09-77230-51

Replaces Fan Housing in all **ORECK® XL21** upright models .  
 Must use both washers included in kit.

### INSTRUCTIONS:

**NOTE: The rivet, pushnut, and bag spring included with this kit are assembled prior to shipping.**

1. Remove old fan housing
2. Replace Fan Housing, felt seal and both washers
3. Place nut back on and tighten



### IMPORTANT SAFETY NOTES:

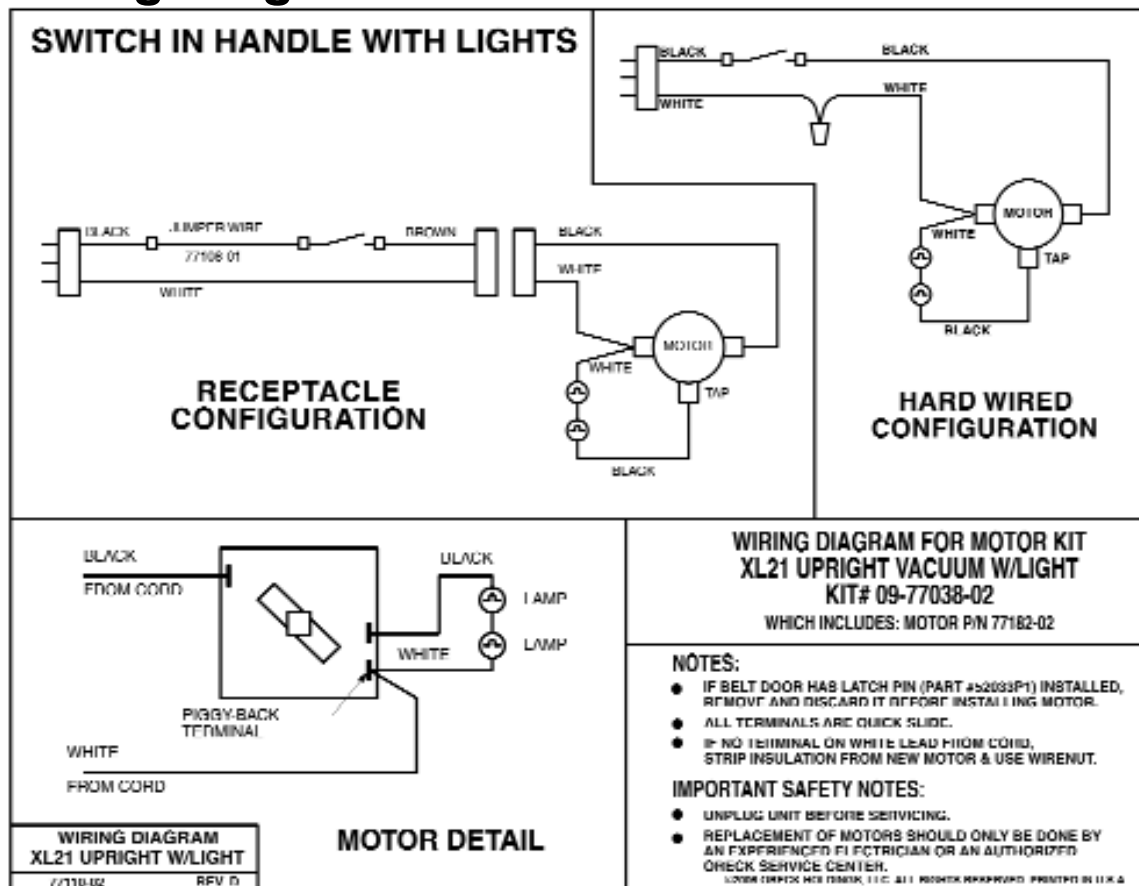
- \* Unplug unit before servicing.
- \* Replacement of fans should only be done by an experienced technician or an authorized **ORECK Service Center**.

©2008 Oreck Holdings, LLC. All rights reserved. 77117-04 04/08 R-9041

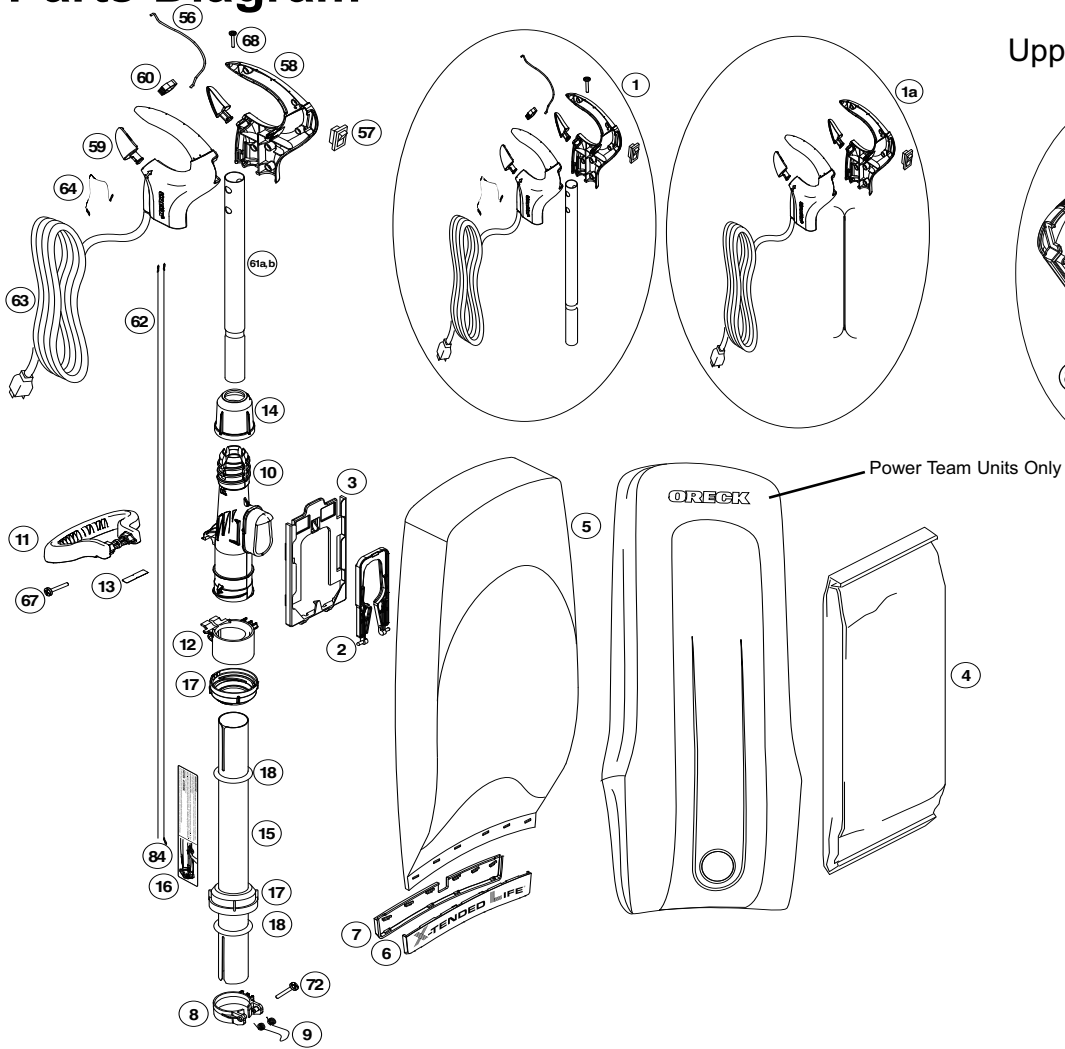
# Standard Fastener Hardware Listing

#	PART FASTENER IS USED ON	FASTENER PART NO.	FASTENER DESCRIPTION	QTY REQ'D	TORQUE RANGE (in/lb)	QTY PER PKG.
67	Base Plate, Motor, Intake/Pivot, Side Door, Carrying Handle Clamp, Fan Shroud	03-00476-01M	#8 -10 x 3/4"	6/2/6 1/1 2	13 - 16	100
68	C Handle (small head) C-Handle	03-00456-01M 03-00476-01M	#8 - 6 x 3/4" #8 - 10 x 3/4"	6 6	13 - 16 13 - 16	100 100
69	Edge Brush	03-00626-01M	#6 - 20 X 7/16"	2	5 - 10	100
70	Head Light Cover	03-00589-01M	#6 x 1" PLT 30	2	8 - 12	100
71	Squeegee	03796M	#8 x .62 PLT 30	2	13 - 16	100
72	Bag Clip Clamp (Type 1-4 Only)	03-00402-01M	#8 x 1.5" PLT 30	1	8 - 12	100
73	Fan Nut	03-00448-01M	1/4" - 32 (Left Hand)	1	18 - 20	100
74	Washer, Wheel, Rear Axle	03-00630-01M	Type 6 Baseplates Only	2		100
75	Washer, Wheel, Front Axle	03-00583-01M	Type 6 Baseplates Only	2		100
76	Washer, Thrust (Fan)	03-00479-01M		1		100
77	Washer, Lock, External Tooth	03-00480-01M		1		100
82	Detent	03-00475-01M	#7 x 3/8"	1	6 - 8	100
84	Rivet	03-00453-01M		1		100
85	Pushnut	03-00636-01M		1		100
94	Pilot Assembly	03-00390-15M	#8-10 x 62 Black Zinc	7	8-10	100
95	Fan Housing	03-00688-01M	#7-18 x 0.75 TORX	4		100

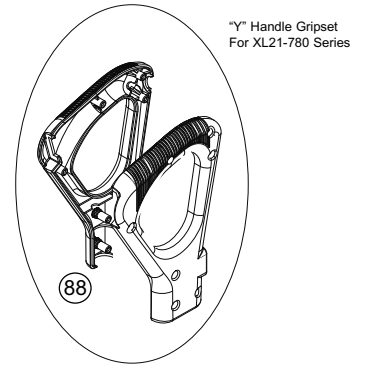
## Wiring Diagram



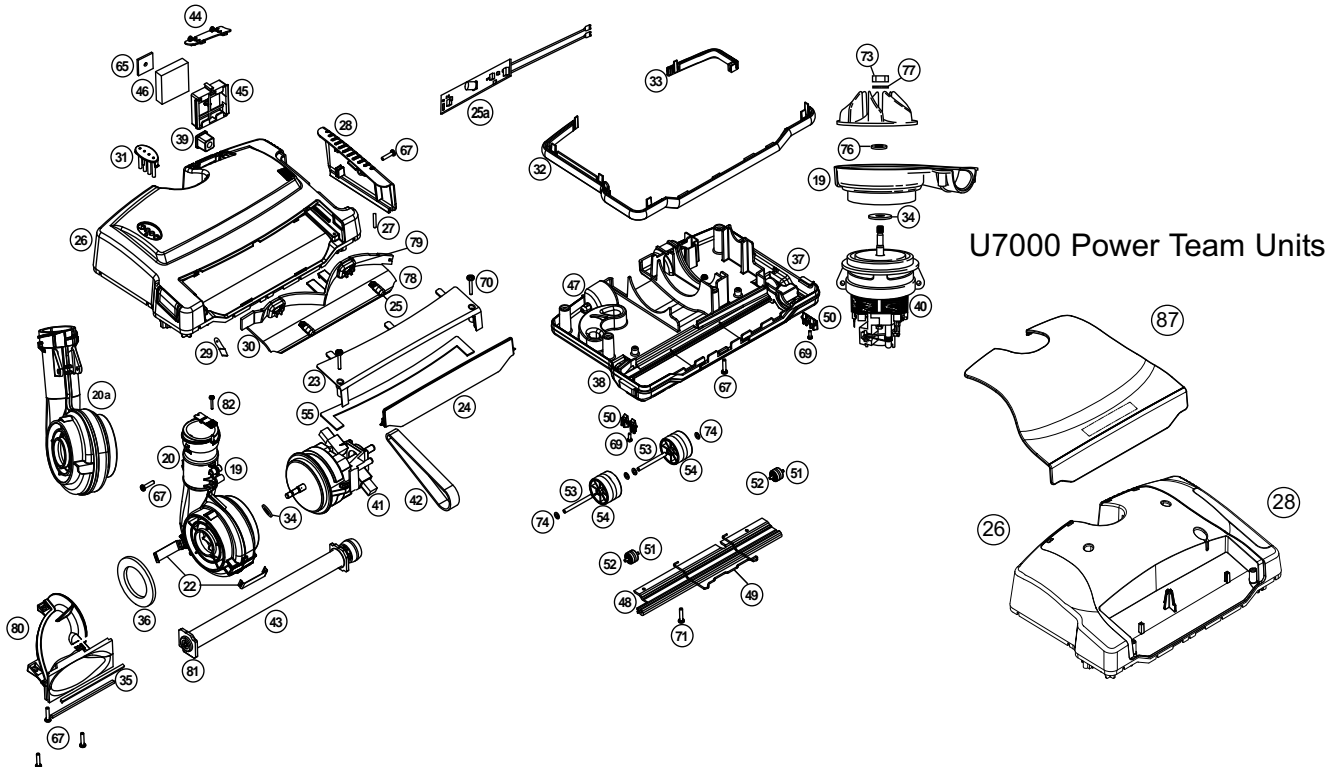
# Parts Diagram



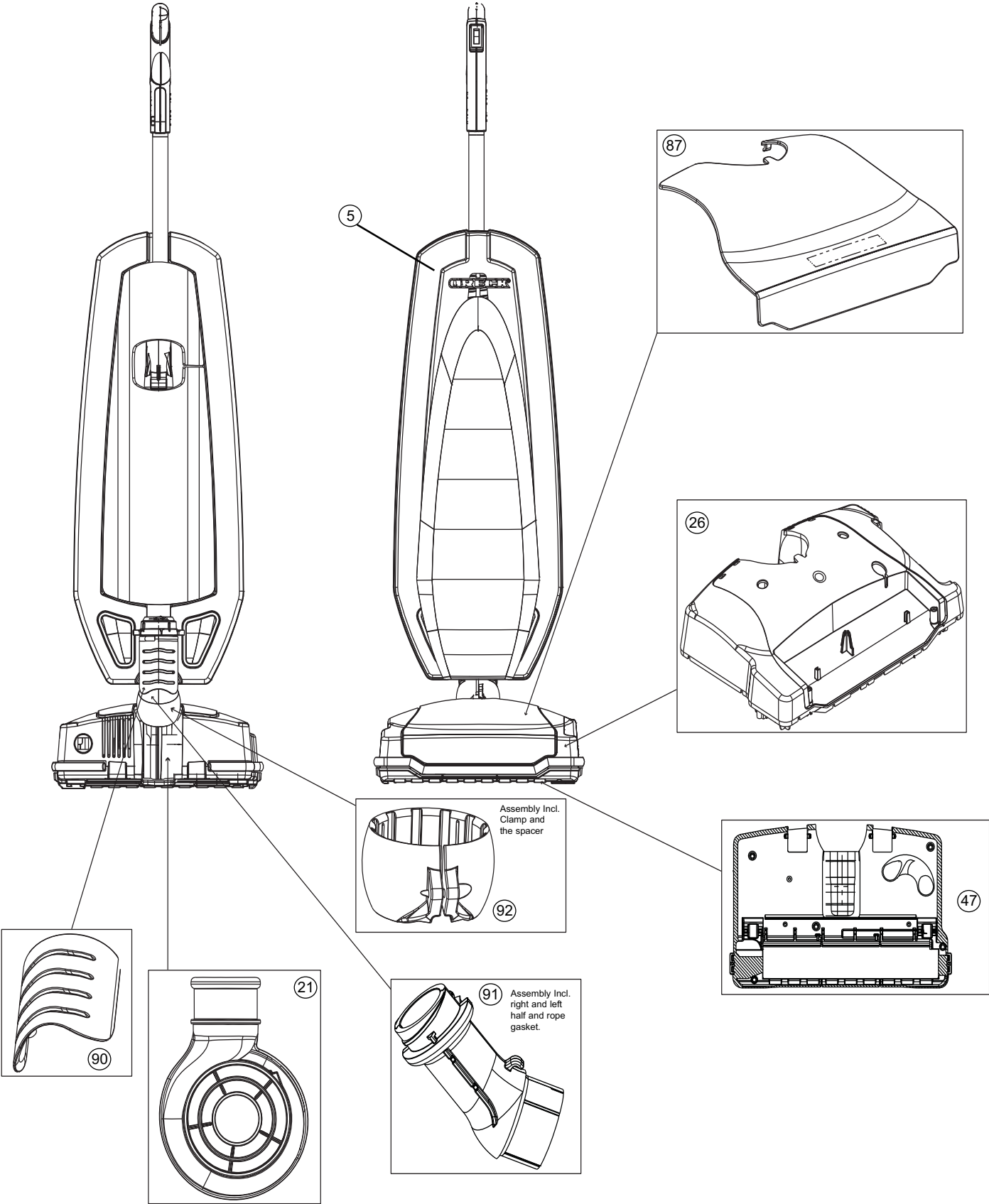
## Upper View



## Lower View



# Pilot Series Unique Parts Diagram



**Part Numbers Listing: XL21-600ECC, XL21-600ECB, XL21-700ECC, XL21-700ECB, XL21-700ECP, XL21-700ECT,**  
*Type 1-4 Units*

#	Item	Order #	Qty.	Pk.			
1	<b>XL21-600ECC:</b> Handle Assy, <i>includes items #56, 57, 58, 59, 60, 61, 63, 64 Type 1 Units Only - Order Assembly 1a</i> <b>XL21-600ECB:</b> Handle Assy, <i>includes items #56, 57, 58, 59, 60, 61, 63, 64 Type 1 Units Only - Order Assembly 1a</i>	09-77093-52	1	1	NLA	NLA	NLA
		09-77093-51	1	1	NLA	NLA	NLA
1a	Kit, Retro, Handle Assembly, Black, <i>includes items #57, 58, 59, 62, 63 Type 1 Units Only</i>	09-77207-01	1	1			
2	Bag Dock, Rear, Type CC ( <b>Use w/#3 or order #83</b> )	75583-03-480	1	1			
3	Bag Dock Hinge, Type CC ( <b>Use w/#2 or order #83</b> )	75582-03-0000	1	1			
4	Dust Bag, (8 Pk.) Hypo Allergenic	CCPK8DW	1	8			
	Dust Bag, (25 Pk.) Hypo Allergenic	CCPK25DW	1	25			
	Dust Bag, (8 Pk.) Odor Control	CCPK8OF	1	8			
	Dust Bag, (25 Pk.) Odor Control	CCPK25OF	1	25			
5	<b>XL21-600ECC / XL21-600ECB / XL21-700ECC / XL21-700ECB</b> Outer Bag, Tan, Black, HEPA, Hypo, Anti-Microbial <b>XL21-700ECP:</b> Outer Bag, Tan, Black, Pink Ribbon <b>XL21-700ECT:</b> Outer Bag, Gray, Black, Silver	77039-06	1	1			
		77039-07	1	1			
		77039-08	1	1			
6	<b>XL21-600ECC / XL21-700ECC:</b> Bag Clip, Front, Creme (Order black clip in place of creme) <b>XL21-600ECB / XL21-700ECB / XL21-700ECP:</b> Bag Clip, Front, Black <b>XL21-700ECT:</b> Bag, Clip, Front, Black w/Silver	<del>09-77094-02</del>	1	1	NLA	NLA	NLA
		09-77094-01	1	1			
		09-77094-04	1	1			
7	<b>XL21-600ECC / XL21-700ECC:</b> Bag Clip, Rear, Creme <b>XL21-600ECB / XL21-700ECB / XL21-700ECP / XL21-700ECT:</b> Bag Clip, Rear, Black	77006-01-453	1	1			
		77006-01-0327	1	1			
8	Clamp, Bag Clip	77003-01-0327	1	1			
9	Bag Spring	75015-01	1	1			
10	Connector Assembly <b>Types 1-3 order #61b also</b>	77075-04-0327	1	1			
11	Handle, Carry, Rear, Gray	77014-01-0384	1	1			
12	Clamp, Carrying Handle	77015-01-0327	1	1			
13	Detent, Carrying Handle	77066-01	1	1			
14	Collar, Upper Handle	77048-01-0384	1	1			
15	Tube, Lower <b>Type 1 &amp; 2 Units Only</b> Tube, Lower <b>Type 3 &amp; 4 Units Only</b>	77002-02	1	1			
		77002-03	1	1			
16	Label, Tube	77078-02	1	1			
17	Collar, Lower	77049-01-0384	2	1			
18	O'Ring, Tube Connector	77054-01	2	1			
19	Fan Housing	77025-01-0327	1	1	NLA	NLA	NLA
20	Fan Housing Cover/ Seal Overmold	77024-02-0327	1	1	NLA	NLA	NLA
21	Fan Kit w/Washers (See pg. 2)	09-77230-51	1	1			
22	Clamp, Scroll	77056-01	2	1			
23	<b>XL21-600ECC / XL21-700ECC:</b> Headlight Cover Assembly, Creme <b>XL21-600ECB / XL21-700ECB / XL21-700ECP:</b> Headlight Cover Assembly, Black <b>XL21-700ECT:</b> Headlight Cover Assembly, Chrome	09-77095-04	1	1			
		<del>09-77095-03</del>	1	1	NLA	Order Black	09-77095-08
		09-77095-07	1	1			
24	Light Lens, Front	77035-01-0329	1	1			
25	Bulb (Non LED Units Only)	77051-01	2	1			
26	<b>XL21-600ECC / XL21-700ECC:</b> Top Cover Assembly w/ Side Lens, Creme <b>XL21-600ECB / XL21-700ECB / XL21-700ECP:</b> Top Cover Assembly w/ Side Lens, Black <b>XL21-700ECT:</b> Top Cover Assembly w/ Side Lens, Lt. Gray	<del>09-77101-05</del>	1	1	NLA	Order Black	09-77101-07
		09-77101-07	1	1			
		<del>09-77101-12</del>	1	1	NLA	Order Black	09-77101-07

**Part Numbers Listing: XL21-600ECC, XL21-600ECB, XL21-700ECC, XL21-700ECB, XL21-700ECP, XL21-700ECT**  
*Type 1-4 Units*

#	Item	Order #	Qty.	Pk.			
27	Pin Latch	52033P1	1	1			
28	<b>XL21-600ECC / XL21-700ECC:</b> Door, Belt Access, Creme <b>XL21-600ECB / XL21-700ECB / XL21-700ECP:</b> Door, Belt Access, Black <b>XL21-700ECT:</b> Door, Belt Access, Lt. Gray	77267-02-453	1	1			
		77267-02-0327	1	1			
		77267-02-436	1	1			
29	Detent	77017-01	1	1			
30	Reflector Assembly, Includes #25, 78, 79	09-77071-02	1	1			
30a	Light Mount (Not Shown, LED Units Only)	77247-01-0000	1	1			
31	<b>XL21-600ECC / XL21-700ECC:</b> Cover, Light LED, Creme <b>XL21-600ECB / XL21-700ECB / XL21-700ECP:</b> Cover, Light LED, Black	77034-01-453	1	1			
		77034-01-0327	1	1			
32	Bumper, Main, Gray	77012-01-0384	1	1			
33	Bumper, Side, Gray	77013-01-0384	1	1			
34	Felt Seal, Motor	75117-01M	1	100			
35	Seal, Inlet Foam, Black	77031-01	2	1			
36	Seal, Felt Inlet, White	77032-01	1	1			
37	Seal, Power Nozzle 5"	77043-01	1	1			
38	Seal Power Nozzle 1"	77043-02	1	1			
39	Strain Relief, Square	03-00494-01	1	1			
40	Motor Assembly Kit <i>Do not use with #27 (latch pin).</i>	09-77038-02	1	1			
41	Motor Brush & Spring Kit	77114-01	2	2			
42	Drive Belt, (3 Pk.)	0300604	1	3			
42a	Drive Belt, Single	75024-01	1	1			
43	Brush Roll Assembly	79192-01	1	1			
44	<b>XL21-600ECC / XL21-700ECC:</b> Door, Exhaust Filter, Creme <b>XL21-600ECB / XL21-700ECB / XL21-700ECP:</b> Door, Exhaust Filter, Black <b>XL21-700ECT:</b> Door, Exhaust Filter, Lt. Gray	77044-01-453	1	1			
		77044-01-0327	1	1			
		77044-01-436	1	1			
45	Housing, Exhaust Filter	77045-01-0327	1	1			
46	Exhaust Filter	77022-01	1	1			
47	Base Plate Assembly w/Squeegee, Channel, Wheels <i>Includes #48, 49, 50, 51, 52, 53, 54, 71</i>	09-77127-03	1	1			
47a	Base Plate Assembly w/ Channel, Squeegee	09-77092-05	1	1			
48	Channel/Squeegee	77046-02	1	1			
49	Sock Guard	77055-01	1	1			
50	Edge Brush Assembly, Blade	77018-01	2	1			
50a	Edge Brush Assembly, Tufted	79186-01	2	1			
51	Wheel, Front	77050-02-0327	2	1			
52	Axle, Front Wheel	03-00583-01	2	1			
53	Axle, Rear Wheel	03-00630-01	2	1			
54	Rear Wheel, Black	75187-02-0327	2	1			
55	Seal, Motor Mount	77122-01	1	1			
56	Static Wire	77027-02	1	1			
57	Switch, 2 Speed <i>Type 1 Units Only</i> Switch, 2 Speed <i>Type 2, 3 &amp; 4 Units Only</i>	75320-01	1	1			
		77155-01	1	1			

**Part Numbers Listing: XL21-600ECC, XL21-600ECB, XL21-700ECC, XL21-700ECB, XL21-700ECP, XL21-700ECT**  
*Type 1-4 Units*

#	Item	Order #	Qty.	Pk.			
58	<b>XL21-600ECC: Grips, Creme, Set <i>Type 1 Units Only</i></b> <b>XL21-600ECC / XL21-700ECC: Grips, Creme, Set</b> <i>Type 2, 3 &amp; 4 Units Only</i> <b>XL21-600ECB: Grips, Black, Set <i>Type 1 Units Only</i></b> <b>XL21-600ECB / XL21-700ECB / XL21-700ECP / XL21-700ECT:</b> Grips, Black, Set <i>Type 2, 3 &amp; 4 Units Only</i>	Order Assy #1a 09-77208-01	1	1			
		Order Assy #1a 09-77208-02	1	1			
59	<b>XL21-600ECC / XL21-700ECC: Cord Dump Assembly, Creme</b> <b>XL21-600ECB / XL21-700ECB / XL21-700ECP / XL21-700ECT:</b> Cord Dump Assembly, Black	09-77016-02	1	1			
		09-77016-03	1	1			
60	Detent, Cord Dump	77061-02	1	1			
61a	Handle Tube <i>Type 1, 2 &amp; 3 Units Only</i>	<b>Order 61b &amp; 10</b> 77028-03	1	1			
61b	Handle Tube <i>Type 4 Units Only</i>		1	1			
62	Cord Harness, 2 Conductor w/ Terminals, Black <i>Type 1 Units Only</i> Cord Harness, 2Conductor, Black <i>Type 2, 3 &amp; 4 Units Only</i>	77111-02	1	1			
		77111-04-327	1	1			
63	Cord Set, Black <i>Type 1 Units Only</i> Cord Set, Black <i>Type 2, 3 &amp; 4 Units Only</i>	75292-01-327	1	1			
		77132-02-327	1	1			
64	Jumper, 7 3/4" Black M/F <i>Type 1 Units Only</i>	77108-01	1	1			
65	Scent Cartridge, Vanilla, 8 Pk	FA1PK	1	8			
65a	Scent Cartridge, Mulberry, 8Pk	FA2PK	1	8			
65b	Scent Cartridge, Jasmine, 8 Pk	FA3PK	1	8			
65c	Odor Fighter Patch 3 Pack (Not Shown)	ODOR3PK	1	1			
65d	Odor Fighter Patch 25 Pack (Not Shown)	ODOR25PK	1	1			
66	<b>XL21-600ECC / XL21-600ECB: User's Manual (Not Shown)</b> <b>XL21-700ECC / XL21-700ECB / XL21-700ECP / XL21-700ECT:</b> User's Manual (Not Shown)	77080-04	1	1			
		77221-04	1	1			
78	Reflector	77053-01-0328	1	1			
79	Connector / Lamp Harness	77052-03	1	1			
80	Inlet	79150-01-0327	1	1			
81	Endcard, Right	77021-02	1	1			
83	Kit, Bag Dock, Type CC, Blue	09-75657-01	1	1			



## Part Numbers Listing: XL21-750ECB, XL21-750ECT, XL21-780EYB, XL21-780EYM

Antimicrobial Type 4-5 Units

#	Item	Order #	Qty.	Pk.			
2	Bag Dock, Rear Type CC Antimicrobial	75583-02-0327	1	1			
3	Bag Dock, Hinge, Antimicrobial	75582-02-0327	1	1			
4	Dust Bag, (8 Pk.) Hypo Allergenic	CCPK8DW	1	8			
	Dust Bag, (25 Pk.) Hypo Allergenic	CCPK25DW	1	25			
	Dust Bag, (8 Pk.) Odor Control	CCPK8OF	1	8			
	Dust Bag, (25 Pk.) Odor Control	CCPK25OF	1	25			
5	<b>XL21-750ECB</b> : Outer Bag, Tan, Black, <b>XL21-750 ECT</b> : Outer Bag, Gray <b>XL21-780EYB</b> : Outer Bag, Legend, Black, <b>XL21-780EYM</b> : Outer Bag, Legend, Merlot	77039-06 77039-08 77039-12 77039-11	1 1 1 1	1 1 1 1			
6	<b>XL21-750ECB</b> : Bag Clip Front Black Antimicrobial	09-77248-01	1	1			
	<b>XL21-750ECT</b> : Bag Clip Front Black w/Silver Antimicrobial	09-77248-02	1	1			
	<b>XL21-780EYB</b> : Bag Clip Front Black Antimicrobial	09-77094-04	1	1			
	<b>XL21-780EYM</b> : Bag Clip Front Merlot Antimicrobial	09-77094-05	1	1			
7	<b>XL21-750ECB/XL21-780EYB</b> : Bag Clip Rear Black Antimicrobial <b>XL21-780EYM</b> : Bag Clip Rear Merlot Antimicrobial	77006-01-0327 77006-01-477	1 1	1 1			
8	Clamp, Bag Clip	77003-01-0327	1	1			
9	Bag Spring	75015-01	1	1			
10	Connector Assembly	77075-04-0327	1	1			
11	Handle, Carry Antimicrobial	77014-02-0384	1	1			
12	Clamp, Carrying Handle	77015-01-0327	1	1			
13	Detent, Carrying Handle	77066-01	1	1			
14	Collar, Upper Handle	77048-01-0384	1	1			
15	Tube, Lower	77002-03	1	1			
16	Label, Tube	77078-02	1	1			
17	Collar, Lower	77049-01-0384	2	1			
18	O'Ring, Tube Connector	77054-01	2	1			
19	Fan Housing	77025-01-0327	1	1	NLA	NLA	NLA
20	Fan Housing Cover/ Seal Overmold	77024-02-0327	1	1	NLA	NLA	NLA
21	Fan Kit w/Washers (See pg. 2)	09-77230-51	1	1			
22	Clamp, Scroll	77056-01	2	1			
23	<b>XL21-750ECB/XL21-780EYB</b> : Headlight Cover Black Antimicrobial <b>XL21-750ECT</b> : Headlight Cover Chrome Antimicrobial <b>XL21-780EYM</b> : Headlight Cover Merlot Antimicrobial	09-77095-08 09-77095-07 09-77095-09	1 1 1	1 1 1			
24	Light Lens, Front	77035-01-0329	1	1			
25A	LED Light	75770-01	1	1			
26	<b>XL21-750ECB/XL21-780EYB</b> : Top Cover Assembly w/side lens Black, Antimicrobial	09-77101-07	1	1			
	<b>XL21-750ECT</b> : Top Cover Assembly w/side lens Light Gray, Antimicrobial	09-77101-12	1	1	NLA	Order Black	09-77101-07
	<b>XL21-780EYM</b> : Top Cover Assembly w/side lens Merlot, Antimicrobial	09-77101-13	1	1			
27	Pin Latch	52033P1	1	1			
28	<b>XL21-750ECB/XL21-780EYB</b> : Door, Belt Access, Black Antimicrobial <b>XL21-750ECT</b> : Door, Belt Access, Lt. Gray Antimicrobial <b>XL21-780EYM</b> : Door, Belt Access, Merlot Antimicrobial	77267-02-0327 77267-02-436 77267-02-477	1 1 1	1 1 1			
29	Detent	77017-01	1	1			
30a	Light Mount (Not Shown, LED Units Only)	77247-01-0000	1	1			
32	Bumper, Main, Gray	77012-01-0384	1	1			
33	Bumper, Side, Gray	77013-01-0384	1	1			
34	Felt Seal, Motor	75117-01M	1	100			
35	Seal, Inlet Foam, Black	77031-01	2	1			

**Part Numbers Listing: XL21-750ECB, XL21-750ECT, XL21-780EYB, XL21-780EYM Continued**  
*Type 4-5 Units*

#	Item	Order #	Qty.	Pk.			
36	Seal, Felt Inlet, White	77032-01	1	1			
37	Seal, Power Nozzle 5"	77043-01	1	1			
38	Seal Power Nozzle 1"	77043-02	1	1			
39	Strain Relief, Square	03-00494-01	1	1			
40	Motor Assembly Kit <i>Do not use with #27 (latch pin).</i>	09-77038-02	1	1			
41	Motor Brush & Spring Kit	77114-01	2	2			
42	Drive Belt, (3 Pk.)	0300604	1	3			
42a	Drive Belt, Single	75024-01	1	1			
43	Brush Roll Assembly Antimicrobial	77090-03	1	1			
44	<b>XL21-750ECB/XL21-780EYB:</b> Door, Exhaust Filter, Black Antimicrobial	77044-01-0327	1	1			
	<b>XL21-750ECT:</b> Door, Exhaust Filter, Lt. Gray Antimicrobial	77044-01-436	1	1			
	<b>XL21-780EYM:</b> Door, Exhaust Filter, Merlot Antimicrobial	77044-01-477	1	1			
45	Housing, Exhaust Filter	77045-01-0327	1	1			
46	Exhaust Filter	77022-01	1	1			
47	<i>Complete Base Plate Assembly w/Squeegee, Channel, Wheels Includes #48, 49, 50a, 51, 52, 53, 54, 71 Antimicrobial</i>	09-77127-03	1	1			
47a	Base Plate Assembly	09-77092-05	1	1			
48	Channel/Squeegee	77046-02	1	1			
49	Sock Guard	77055-01	1	1			
50a	Edge Brush Assembly	79186-01	2	1			
51	Wheel, Front	77050-02-0327	2	1			
52	Axle, Front Wheel	03-00583-01	2	1			
53	Axle, Rear Wheel	03-00630-01	2	1			
54	Rear Wheel, Black	75187-02-0327	2	1			
55	Seal, Motor Mount	77122-01	1	1			
56	Static Wire	77027-02	1	1			
57	Switch, 2 Speed	77155-01	1	1			
58	Grips, Black, Set Antimicrobial	09-77208-03	1	1			
59	Cord Dump, Black	09-77016-03	1	1			
60	Detent, Cord Dump	77061-02	1	1			
61b	Handle Tube	77028-03	1	1			
62	Cord Harness, 2Conductor, Black	77111-04-327	1	1			
63	Cord Set, Black	77132-02-327	1	1			
65	Scent Cartridge, Vanilla, 8 Pk	FA1PK	1	8			
65a	Scent Cartridge, Mulberry, 8Pk	FA2PK	1	8			
65b	Scent Cartridge, Jasmine, 8 Pk	FA3PK	1	8			
78	Reflector	77053-01-0328	1	1			
79	Connector / Lamp Harness	77052-03	1	1			
80	Inlet	79150-01-0327	1	1			
81	Endcard, Right	77021-02	1	1			
83	Kit, Bag Dock, Type CC, Blue	09-75657-01	1	1			
88	<b>XL21-780EYB:</b> Grip Set, Y Handle, Black Antimicrobial	09-77208-04	1	1			
	<b>XL21-780EYM:</b> Grip Set, Y Handle, Merlot Antimicrobial	09-77208-05	1	1			
89	<b>XL21-780EYB:</b> Cord Wrap and Post Assembly Black	09-75185-01	1	1			
	<b>XL21-780EYM:</b> Cord Wrap and Post Assembly Merlot	09-75185-27	1	1			

## PLATINUM SERIES UPRIGHTS

### Part Numbers Listing: U7000ECR, U7000ECB, U7000ECP, U7100ECB, U7030ECBS

#### Type 5 Units

#	Item	Order #	Qty.	Pk.			
2	Bag Dock, Rear Type CC	75583-03-480	1	1			
3	Bag Dock, Hinge	75582-03-480	1	1			
4	Dust Bag, (8 Pk.) Hypo Allergenic	CCPK8DW	1	8			
	Dust Bag, (25 Pk.) Hypo Allergenic	CCPK25DW	1	25			
	Dust Bag, (8 Pk.) Odor Control	CCPK8OF	1	8			
	Dust Bag, (25 Pk.) Odor Control	CCPK25OF	1	25			
5	<b>U7000ECB/U7030ECBS:</b> Outer Bag, Dark Blue HEPA, Hypo	D76133-09	1	1			
	<b>U7000ECR:</b> Outer Bag, Dark Cherry HEPA, Hypo	<del>76062-04</del>	1	1	NLA	Order 76062-09	
	<b>U7000ECP:</b> Outer Bag, Komen HEPA, Hypo	76062-06	1	1			
	<b>U7100ECB:</b> Outer Bag, Platinum Plus HEPA, Hypo	<del>76062-12</del>	1	1	NLA	Order 76062-09	
8	Clamp, Bag Clip (some models)	77003-01-0327	1	1			
9	Bag Spring	75015-01	1	1			
10	Connector Assembly	77075-04-0327	1	1			
11	Handle, Carry	77014-01-0384	1	1			
12	Clamp, Carrying Handle	77015-01-0327	1	1			
13	Detent, Carrying Handle	77066-01	1	1			
14	Collar, Upper Handle	77048-01-0327	1	1			
15	Tube, Lower	77002-03	1	1			
16	Label, Tube	77078-02	1	1			
17	Collar, Lower	77049-01-0327	2	1			
18	O'Ring, Tube Connector	77054-01	2	1			
21	Fan Kit w/Washers (See pg. 2)	09-77230-51	1	1			
22	Clamp, Scroll	77056-01	2	1			
25A	LED Light (LED Units Only)	75770-01	1	1			
26	<b>U7000ECB/U7000ECP/U7030ECBS:</b> Top Cover/Belt Door Assy Black	09-79018-01	1	1			
	<b>U7000ECR:</b> Top Cover/Belt Door Assembly Charcoal	<del>09-79018-02</del>	1	1	NLA	Order 09-79018-01	
	<b>U7100ECB:</b> Top Cover/Belt Door Assembly Platinum Plus	09-79018-01	1	1			
27	Pin Latch	52033P1	1	1			
28	<b>U7000ECB/U7000ECP/U7030ECBS:</b> Belt Door Black	79078-01-0327	1	1			
	<b>U7000ECR:</b> Belt Door Charcoal	79078-01-473	1	1			
	<b>U7100ECB:</b> Belt Door Platinum Plus	79078-02-0327	1	1			
29	Detent	77017-01	1	1			
30a	Light Mount (Not Shown, LED Units Only)	77247-01-0000	1	1			
32	Bumper, Main, Gray	77012-01-0384	1	1			
33	Bumper, Side, Gray	77013-01-0384	1	1			
34	Felt Seal, Motor	75117-01M	1	100			
35	Seal, Inlet Foam, Black	77031-01	2	1			
36	Seal, Felt Inlet, White	77032-01	1	1			
37	Seal, Power Nozzle 5"	77043-01	1	1			
38	Seal Power Nozzle 1"	77043-02	1	1			
39	Strain Relief, Square	03-00494-01	1	1			
40	Motor Assembly Kit <b>Do not use with #27 (latch pin).</b>	09-77038-02	1	1			
41	Motor Brush & Spring Kit	77114-01	2	2			
42	Drive Belt, (3 Pk.)	0300604	1	3			
42a	Drive Belt, Single	75024-01	1	1			
43	Brush Roll Assembly	77090-03	1	1			

## PLATINUM SERIES UPRIGHTS

### Part Numbers Listing: U7000ECR, U7000ECB, U7000ECP, U7100ECB

Antimicrobial Type 5 Units

#	Item	Order #	Qty.	Pk.			
47	Complete Base Plate Assembly w/Squeegee, Channel, Wheels <i>Includes #48, 49, 50a, 51, 52, 53, 54, 71</i>	09-77127-03	1	1			
48	Channel/Squeegee	77046-02	1	1			
49	Sock Guard	77055-01	1	1			
50a	Edge Brush Assembly	79186-01	2	1			
51	Wheel, Front	77050-02-0327	2	1			
52	Axle, Front Wheel	03-00583-01	2	1			
53	Axle, Rear Wheel	03-00630-01	2	1			
54	Rear Wheel, Black	75187-02-0327	2	1			
55	Seal, Motor Mount	77122-01	1	1			
57	Switch, 2 Speed	77155-01	1	1			
58	Grips, Black, Set	09-77208-03	1	1			
59	Cord Dump, Black	09-77016-03	1	1			
60	Detent, Cord Dump	77061-02	1	1			
61b	Handle Tube	77028-03	1	1			
62	Cord Harness, 2Conductor, Black	77111-04-327	1	1			
63	Cord Set, Black	77132-02-327	1	1			
	<b>U7100ECB:</b> Cord Set, Black, 36' Platinum Plus	79027-01-327	1	1			
80	Inlet	79150-01-0327	1	1			
81	Endcard, Right	77021-02	1	1			
83	Kit, Bag Dock, Type CC, Blue	09-75657-01	1	1			
86	Bag Stiffener with Strap	09-76034-02	1	1			
87	<b>U7000ECB/U7030:</b> Fascia Dark Blue/Black	09-76126-62	1	1			
	<b>U7000ECR:</b> Fascia Warm Red	79001-02	1	1			
	<b>U7000ECP:</b> Fascia Komen	79001-03	1	1			
	<b>U7100ECB:</b> Fascia Platinum Plus	79001-04	1	1			

## PILOT SERIES UPRIGHT

Part Numbers Listing: U7200ECB, U7210ECB, U7210ECR, U7300ECB, U7220ECS, U7230ECS, U7330ECBS, U7240ECS

### Type 6 Units

#	Item	Order #	Qty.	Pk.			
2	Bag Dock, Rear Type CC	75583-02-0327	1	1			
3	Bag Dock, Hinge	75582-02-0327	1	1			
4	Dust Bag, (8 Pk.) Hypo Allergenic	CCPK8DW	1	8			
	Dust Bag, (25 Pk.) Hypo Allergenic	CCPK25DW	1	25			
	Dust Bag, (8 Pk.) Odor Control	CCPK8OF	1	8			
	Dust Bag, (25 Pk.) Odor Control	CCPK25OF	1	25			
5	<b>U7200ECB / U7230ECS / U7330ECBS / U7240ECS:</b> Outer Bag, <b>U7300ECB:</b> Outer Bag, <b>U7220ECS:</b> Outer Bag, <b>U7210ECB:</b> Outer Bag <b>U7210ECR:</b> Outer Bag	79046-01 79046-02 79046-03 79136-02 79136-01	1 1 1 1 1	1 1 1 1 1			
10	Connector Assembly	77075-04-0327	1	1			
11	Handle, Carry	77014-01-0384	1	1			
12	Clamp, Carrying Handle	77015-01-0327	1	1			
13	Detent, Carrying Handle	77066-01	1	1			
14	Collar, Upper Handle	77048-01-0327	1	1			
15	Tube, Lower	79045-01	1	1			
16	Label, Tube	77078-02	1	1			
17	Collar, Lower	77049-01-0327	2	1			
18	O'Ring, Tube Connector	77054-01	2	1			
21	Fan Kit w/Washers (See pg. 2)	09-79066-01	1	1			
25A	LED Light (LED Units Only)	75770-01	1	1			
	<b>U7220ECS/U7230ECS/U7330ECBS/U7240ECS</b> LED Board w/Hall Effect	79086-01	1	1			
26	<b>U7200ECB:</b> Top Cover/Belt Door Assembly Black	09-79051-01	1	1			
	<b>U7300ECB:</b> Top Cover/Belt Door Assembly Black	09-79051-01	1	1			
	<b>U7220ECS / U7230ECS / U7330ECB / U7240ECS:</b> Top Cover/Belt Door Assy Black	09-79184-01	1	1			
	<b>U7210ECB:</b> Top Cover/Belt Door Assy, Blue	09-79051-04	1	1			
	<b>U7210ECR:</b> Top Cover/Belt Door Assy, Red	09-79051-05	1	1			
28	Belt Door Black	79078-01-0327	1	1			
	<b>U7210ECB:</b> Belt Door, Blue	79078-01-502	1	1			
	<b>U7210ECR:</b> Belt Door, Red	79078-01-501	1	1			
29	Detent	77017-01	1	1			
32	Bumper, Main, Gray	77012-01-0384	1	1			
33	Bumper, Side, Gray	77013-01-0384	1	1			
34	Felt Seal, Motor	75117-01M	1	100			
35	Seal, Inlet Foam, Black	77031-01	2	1			
36	Seal, Felt Inlet, White	77032-01	1	1			
37	Seal, Power Nozzle 5"	77043-01	1	1			
38	Seal Power Nozzle 1"	77043-02	1	1			
39	Strain Relief, Square	03-00655-01	1	1			
40	Motor Assembly Kit	09-77038-02	1	1			
41	Motor Brush & Spring Kit	77114-01	2	2			
42a	<b>U7210ECB/U7210ECR:</b> Drive Belt, Single	75024-01	1	1			
	<b>U7300ECB / U7230ECS / U7330ECBS / U7240ECS:</b> Belt, Corded Flat	79095-01	1	1			
43	<b>U7210ECB/U7210ECR/U7240ECS:</b> Brush Roll Assembly	79192-01	1	1			
	<b>U7230ECS:</b> Brush Roll Assembly	79192-02	1	1			

## PILOT SERIES UPRIGHT

Part Numbers Listing: U7200ECB, U7210ECB, U7210ECR, U7300ECB, U7220ECS, U7230ECS, U7330ECBS, U7240ECS

Type 6 Units

#	Item	Order #	Qty.	Pk.			
47	Complete Base Plate Assembly w/Squeegee, Channel, Wheels <i>Includes #48, 49, 50a, 51, 52, 53, 54, 71</i>	09-79049-51	1	1			
	<b>U7230ECS/U7330ECBS/U7210EBCB/U7210ECR:</b> Complete Base Plate Assy w/Squeegee, Channel, Wheels <i>Includes #48, 49, 50a, 51, 52, 53, 54, 71</i>	09-79049-55	1	1			
48	Channel/Squeegee	77046-01	1	1			
49	Sock Guard	77055-01	1	1			
50a	Edge Brush Assembly	79186-01	2	1			
51	Wheel, Front	77050-02-0327	2	1			
52	Axle, Front Wheel	03-00583-01	2	1			
53	Axle, Rear Wheel	03-00630-01	2	1			
54	Rear Wheel, Black	75187-02-0327	2	1			
57	Switch, 2 Speed	77155-01	1	1			
58	Grips, Black, Set	09-77208-03	1	1			
	<b>U7210ECB:</b> Grips, Blue, Set	09-77208-07	1	1			
	<b>U7210ECR:</b> Grips, Red, Set	09-77208-08	1	1			
59	Cord Dump, Black	09-77016-03	1	1			
	<b>U7210ECB:</b> Cord Dump, Blue	09-77016-08	1	1			
	<b>U7210ECR:</b> Cord Dump, Red	09-77016-07	1	1			
60	Detent, Cord Dump	77061-02	1	1			
61b	Handle Tube	77028-03	1	1			
62	Cord Harness, 2Conductor, Black	77111-04-327	1	1			
	<b>U7230ECS:</b> Cord Harness, 2Conductor, Black, With JST	79103-02-327	1	1			
63	<b>U7200ECB/U7210ECB/U7210ECR:</b> Cord Set, Black, 30'	77132-02-327	1	1			
	<b>U7220ECS:</b> Cord Set, Black, SVT 2 Conductor	77132-02-327	1	1			
	<b>U7300ECB/U7230ECS/U7330ECB/U7240ECS:</b> Cord Set, Black, 36'	79027-01-327	1	1			
80	Inlet	79150-01-0327	1	1			
81	Endcard, Right	77021-02	1	1			
83	Kit, Bag Dock, Type CC, Blue	09-75657-02	1	1			
87	<b>U7200ECB / U7230ECS / U7330ECBS:</b> Fascia Black/Blue <b>U7300ECB:</b> Fascia Silver/Black <b>U7220ECS:</b> Fascia Silver/Black <b>U7210ECB:</b> Fascia Blue Aviator <b>U7210ECR:</b> Fascia Red Aviator <b>U7240ECS:</b> Fascia Assembly	79041-01 <del>09-79161-52</del> 79041-03 09-79161-55 79041-04 09-76126-66	1 1 1 1 1 1	1 1 1 1 1 1	NLA Order	79041-02	Black/Blue
90	<b>U7200ECB/U7220ECS/U7230ECS/U7330ECBS/U7240ECS:</b> Rear Joint Cover Blue <b>U7300ECB:</b> Rear Joint Cover Black <b>U7210ECB/U7210ECR:</b> Rear Joint Cover Grey	09-79048-01 <del>09-79048-02</del> 09-79048-03	1 1 1	1 1 1	NLA Order	09-79048-01	Blue
91	Joint Assembly <i>Includes Left &amp; Right Joints and Rope Gasket</i>	09-79067-01	1	1			
92	Clamp Assembly <i>Includes Spacer</i>	09-79038-51	1	1			
93	Tune Up Kit <i>Includes Magnalube, Rope Gasket and Joint Seals for 5 tune ups</i>	09-79068-01	1	1			
	<b>ITEMS BELOW ARE FOR PERMANENT BELT UNITS ONLY</b>						
96	<b>U7220ECS / U7230ECS / U7330ECBS / U7240ECS:</b> Circuit Board	79087-01	1	1			
97	<b>U7220ECS / U7230ECS / U7330ECBS / U7240ECS:</b> Jumper Wire, Motor to Circuit Board	79096-01	1	1			

## POWER TEAM 2.0 GOLD SERIES UPRIGHTS

### Part Numbers Listing: U7050ECB

#### Antimicrobial Type 5 Units

#	Item	Order #	Qty.	Pk.			
2	Bag Dock, Rear Type CC	75583-02-0327	1	1			
3	Bag Dock, Hinge	75582-02-0327	1	1			
4	Dust Bag, (8 Pk.) Hypo Allergenic	CCPK8DW	1	8			
	Dust Bag, (25 Pk.) Hypo Allergenic	CCPK25DW	1	25			
	Dust Bag, (8 Pk.) Odor Control	CCPK8OF	1	8			
	Dust Bag, (25 Pk.) Odor Control	CCPK25OF	1	25			
5	Outer Bag	79073-01	1	1			
10	Connector Assembly	77075-04-0327	1	1			
11	Handle, Carry	77014-01-0384	1	1			
12	Clamp, Carrying Handle	77015-01-0327	1	1			
13	Detent, Carrying Handle	77066-01	1	1			
14	Collar, Upper Handle	77048-01-0327	1	1			
15	Tube, Lower	77002-03	1	1			
16	Label, Tube	77078-02	1	1			
17	Collar, Lower	77049-01-0327	2	1			
18	O'Ring, Tube Connector	77054-01	2	1			
21	Fan Kit w/Washers (See pg. 2)	09-77230-51	1	1			
22	Clamp, Scroll	77056-01	2	1			
25A	LED Light (LED Units Only)	75770-01	1	1			
26	Top Cover/Belt Door Assembly	09-79018-04	1	1			
27	Pin Latch	52033P1	1	1			
28	Belt Door	79078-01-487	1	1			
29	Detent	77017-01	1	1			
30a	Light Mount (Not Shown, LED Units Only)	77247-01-0000	1	1			
32	Bumper, Main, Gray	77012-01-0384	1	1			
33	Bumper, Side, Gray	77013-01-0384	1	1			
34	Felt Seal, Motor	75117-01M	1	100			
35	Seal, Inlet Foam, Black	77031-01	2	1			
36	Seal, Felt Inlet, White	77032-01	1	1			
37	Seal, Power Nozzle 5"	77043-01	1	1			
38	Seal Power Nozzle 1"	77043-02	1	1			
39	Strain Relief, Square	03-00494-01	1	1			
40	Motor Assembly Kit <b>Do not use with #27 (latch pin).</b>	09-77038-02	1	1			
41	Motor Brush & Spring Kit	77114-01	2	2			
42	Drive Belt, (3 Pk.)	0300604	1	3			
42a	Drive Belt, Single	75024-01	1	1			
43	Brush Roll Assembly	79192-01	1	1			
47	Complete Base Plate Assembly w/Squeegee, Channel, Wheels <i>Includes #48, 49, 50a, 51, 52, 53, 54, 71</i>	09-77127-03	1	1			
48	Channel/Squeegee	77046-02	1	1			
49	Sock Guard	77055-01	1	1			
50a	Edge Brush Assembly	79186-01	2	1			
51	Wheel, Front	77050-02-0327	2	1			
52	Axle, Front Wheel	03-00583-01	2	1			
53	Axle, Rear Wheel	03-00630-01	2	1			
54	Rear Wheel, Black	75187-02-0327	2	1			
55	Seal, Motor Mount	77122-01	1	1			

**POWER TEAM 2.0 GOLD SERIES UPRIGHTS**

**Part Numbers Listing: U7050ECB**

*Antimicrobial Type 5 Units*

#	Item	Order #	Qty.	Pk.			
57	Switch, 2 Speed	77155-01	1	1			
58	Grips, Peacoat Blue, Set	<del>09-77208-06</del>	1	1	NLA	<b>Order Black</b>	<b>09-77208-02</b>
59	Cord Dump, Black	09-77016-03	1	1			
60	Detent, Cord Dump	77061-02	1	1			
61b	Handle Tube	77028-03	1	1			
62	Cord Harness, 2Conductor, Black	77111-04-327	1	1			
63	Cord Set, Black	77132-02-327	1	1			
80	Inlet	79150-01-0327	1	1			
81	Endcard, Right	77021-02	1	1			
83	Kit, Bag Dock, Type CC, Blue	09-75657-01	1	1			
86	Bag Stiffener	76061-02-0327	1	1			
87	Fascia	09-79160-55	1	1			



## Part Numbers Listing: U7010ECS

### Antimicrobial Type 5 Units

#	Item	Order #	Qty.	Pk.			
2	Bag Dock, Rear Type CC	75583-02-0480	1	1			
3	Bag Dock, Hinge	75582-02-0480	1	1			
4	Dust Bag, (8 Pk.) Hypo Allergenic	CCPK8DW	1	8			
	Dust Bag, (25 Pk.) Hypo Allergenic	CCPK25DW	1	25			
	Dust Bag, (8 Pk.) Odor Control	CCPK8OF	1	8			
	Dust Bag, (25 Pk.) Odor Control	CCPK25OF	1	25			
5	Outer Bag	79097-01	1	1			
10	Connector Assembly	77075-04-0327	1	1			
11	Handle, Carry	77014-02-0384	1	1			
12	Clamp, Carrying Handle	77015-01-0327	1	1			
13	Detent, Carrying Handle	77066-01	1	1			
14	Collar, Upper Handle	77048-01-0327	1	1			
15	Tube, Lower	77002-03	1	1			
16	Label, Tube	77078-02	1	1			
17	Collar, Lower	77049-01-0327	2	1			
18	O'Ring, Tube Connector	77054-01	2	1			
21	Fan Kit w/Washers (See pg. 2)	09-77230-51	1	1			
25A	LED Board with Hall Effect	79086-01	1	1			
26	Top Cover/Belt Door Assembly	09-79018-01	1	1			
28	Belt Door	79078-01-0327	1	1			
29	Detent	77017-01	1	1			
32	Bumper, Main, Gray	77012-01-0384	1	1			
33	Bumper, Side, Gray	77013-01-0384	1	1			
34	Felt Seal, Motor	75117-01M	1	100			
35	Seal, Inlet Foam, Black	77031-01	2	1			
36	Seal, Felt Inlet, White	77032-01	1	1			
37	Seal, Power Nozzle 5"	77043-01	1	1			
38	Seal Power Nozzle 1"	77043-02	1	1			
39	Strain Relief, Square	03-00494-01	1	1			
40	Motor Assembly Kit	09-77038-02	1	1			
41	Motor Brush & Spring Kit	77114-01	2	2			
42a	Drive Belt, Single	79095-01	1	1			
43	Brush Roll Red Nylon with Magnet	79192-02	1	1			
47	<i>Complete Base Plate Assembly w/Squeegee, Channel, Wheels Includes #48, 49, 50a, 51, 52, 53, 54, 71</i>	09-77127-03	1	1			
48	Channel/Squeegee	77046-02	1	1			
49	Sock Guard	77055-01	1	1			
50a	Edge Brush Assembly	79186-01	2	1			
51	Wheel, Front	77050-02-0327	2	1			
52	Axle, Front Wheel	03-00583-01	2	1			
53	Axle, Rear Wheel	03-00630-01	2	1			
54	Rear Wheel, Black	75187-02-0327	2	1			
55	Seal, Motor Mount	77122-01	1	1			

**Part Numbers Listing: U7010ECS***Antimicrobial Type 5 Units*

#	Item	Order #	Qty.	Pk.			
57	Switch, 2 Speed	77155-01	1	1			
58	Grips, Black, Set	09-77208-02	1	1			
59	Cord Dump, Black	09-77016-03	1	1			
60	Detent, Cord Dump	77061-02	1	1			
61b	Handle Tube	77028-03	1	1			
62	Cord Harness, 2Conductor, Black	77111-04-327	1	1			
63	Cord Set, Black	77132-02-327	1	1			
80	Inlet	79150-01-0327	1	1			
83	Kit, Bag Dock, Type CC, Blue	09-75657-01	1	1			
86	Bag Stiffener	76061-02-0327	1	1			
87	Fascia	09-79160-58	1	1			
96	Circuit Board	79087-01	1	1			
97	Jumper Wire, Motor to Circuit Board	79096-01	1	1			

## Part Numbers Listing: U7060ECS, U7070ECS, U7020ECBS

### Gold Professional Series Type 5 Units

#	Item	Order #	Qty.	Pk.			
2	Bag Dock, Rear Type CC	75583-02-0480	1	1			
3	Bag Dock, Hinge	75582-02-0480	1	1			
4	Dust Bag, (8 Pk.) Hypo Allergenic	CCPK8DW	1	8			
	Dust Bag, (25 Pk.) Hypo Allergenic	CCPK25DW	1	25			
	Dust Bag, (8 Pk.) Odor Control	CCPK8OF	1	8			
	Dust Bag, (25 Pk.) Odor Control	CCPK25OF	1	25			
5	<b>U7060ECS:</b> Outer Bag	79109-01	1	1			
	<b>U7020ECBS:</b> Outer Bag	76062-01	1	1			
	<b>U7070ECS:</b> Outer Bag	76133-07	1	1			
10	Connector Assembly	77075-04-0327	1	1			
11	Handle, Carry	77014-02-0384	1	1			
12	Clamp, Carrying Handle	77015-01-0327	1	1			
13	Detent, Carrying Handle	77066-01	1	1			
14	Collar, Upper Handle	77048-01-0327	1	1			
15	Tube, Lower	77002-03	1	1			
16	Label, Tube	77078-02	1	1			
17	Collar, Lower	77049-01-0327	2	1			
18	O'Ring, Tube Connector	77054-01	2	1			
21	Fan Kit w/Washers (See pg. 2)	09-77230-51	1	1			
25A	LED Board with Hall Effect	79086-01	1	1			
26	<b>U7060ECS:</b> Top Cover/Belt Door Assembly, Peacoat Blue	09-79153-52	1	1			
	<b>U7020ECBS:</b> Top Cover/Belt Door Assembly, Black	09-79018-01	1	1			
	<b>U7070ECS:</b> Top Cover/Belt Door Assembly, Black	09-79185-01	1	1			
28	<b>U7060ECS:</b> Belt Door	79078-01-487	1	1			
	<b>U7020ECBS/U7070ECS:</b> Belt Door	79078-01-0327	1	1			
29	Detent	77017-01	1	1			
32	Bumper, Main, Gray	77012-01-0384	1	1			
33	Bumper, Side, Gray	77013-01-0384	1	1			
34	Felt Seal, Motor	75117-01Mgi	1	100			
35	Seal, Inlet Foam, Black	77031-01	2	1			
36	Seal, Felt Inlet, White	77032-01	1	1			
37	Seal, Power Nozzle 5"	77043-01	1	1			
38	Seal Power Nozzle 1"	77043-02	1	1			
39	Strain Relief, Square	03-00494-01	1	1			
40	Motor Assembly Kit	09-77038-02	1	1			
41	Motor Brush & Spring Kit	77114-01	2	2			
42a	Drive Belt, SingleFlat Corded	79095-01	1	1			
43	Brush Roll Red Nylon with Magnet	79192-02	1	1			
47	Complete Base Plate Assembly w/Squeegee, Channel, Wheels <i>Includes #48, 49, 50a, 51, 52, 53, 54, 71</i>	09-77127-03	1	1			
48	Channel/Squeegee	77046-02	1	1			
49	Sock Guard	77055-01	1	1			
50a	Edge Brush	79186-01	2	1			
51	Wheel, Front	77050-02-0327	2	1			

**Part Numbers Listing: U7060ECS, U7070ECS, U7020ECBS**

*Gold Professional Series Type 5 Units*

#	Item	Order #	Qty.	Pk.			
52	Axle, Front Wheel	03-00583-01	2	1			
53	Axle, Rear Wheel	03-00630-01	2	1			
54	Rear Wheel, Black	75187-02-0327	2	1			
55	Seal, Motor Mount	77122-01	1	1			
57	Switch, 2 Speed	77155-01	1	1			
58	<b>U7060ECS: Grips, Peacoat Blue, Set</b>	<del>09-77208-06</del>	1	1	<b>NLA</b>	<b>Order Black</b>	<b>09-77208-02</b>
	<b>U7020ECBS/U7070ECS: Grips, Black, Set</b>	09-77208-03	1	1			
59	<b>U7060ECS: Cord Dump, Peacoat Blue</b>	09-77016-09	1	1			
	<b>U7020ECBS/U7070ECS: Cord Dump, Black</b>	09-77016-03	1	1			
60	Detent, Cord Dump	77061-02	1	1			
61b	Handle Tube	77028-03	1	1			
	<b>U7070ECS: Handle Tube, Gold</b>	77028-04	1	1			
62	Cord Harness, With JST, Black	79103-02-327	1	1			
63	Cord Set, Black	79027-01-327	1	1			
80	Inlet	79150-01-0327	1	1			
83	Kit, Bag Dock, Type CC, Blue	09-75657-01	1	1			
86	Bag Stiffener	76061-02-0327	1	1			
87	<b>U7060ECS: Fascia</b>	09-79160-55	1	1			
	<b>U7020ECBS: Fascia</b>	09-76126-62	1	1			
	<b>U7070ECS: Fascia</b>	09-79160-57	1	1			
96	Circuit Board	79087-01	1	1			
97	Jumper Wire, Motor to Circuit Board	79096-01	1	1			

# Troubleshooting

**Notice:** *Make sure the unit is unplugged before removing any part off the unit.*

1. <b>Problem Being Checked:</b>
----------------------------------

- |             |
|-------------|
| a. Solution |
|-------------|

1. **Dust Blowing from Bottom of Unit:**

- a. Change bag ensuring it's properly installed on connector deflector.
- b. Remove lower tube and check for clog. Remove any debris.
- c. Remove baseplate and check inlet for clog. Remove any debris.

2. **Unit not picking up:**

- a. Remove lower tube and check for clog.
- b. Check connector deflector for clog.
- c. Remove baseplate and check inlet for clog.
- d. Change bag ensuring it's properly installed on connector deflector.
- e. Make sure belt is installed properly.

3. **Brush Roll Not Spinning / Belt Breaks:**

- a. Belt is older than six months and slipping or may not be installed properly. Install new belt.
- b. Bearings in brush roll worn, change brush roll.

4. **Sparking from Plug to Handle (Type 1 units only):**

- a. Make sure plug fits firmly into handle.

5. **Unit Dead:**

- a. Make sure unit is plugged into working outlet.
- b. Check switch for failure. If bad, replace switch.
- c. Check to see if motor wires are plugged and not loose.
- d. Check motor brushes and motor brush springs to make sure they have good contact.
- e. Check motor for failure. If bad, replace motor.
- f. Check cord for failure. If bad, replace cord.

6. **Parts Falling off Baseplate:**

- a. If wheels come off, replace wheels.
- b. If channel, micro sweep blade, or wireform come off, replace missing parts or entire baseplate assembly.

7. **Noisy Unit:**

- a. Check to see if brush roll has bad bearings. If so replace brush roll.
- b. Check to see if an object is stuck in the fan housing.
- c. Check fan in fan housing. Make sure there are no broken blades. Replace if broken.
- d. Check for stuffing in the fan housing.

8. **Unit Will Not Stand Up:**

- a. Make sure unit has plastic detent on housing.

**An Oreck Authorized Service Center should do all technical servicing.**

