

# **ORECK<sup>®</sup> XL<sup>®</sup>**

**SIMPLY AMAZING<sup>®</sup>**

## **Service Parts List**

---

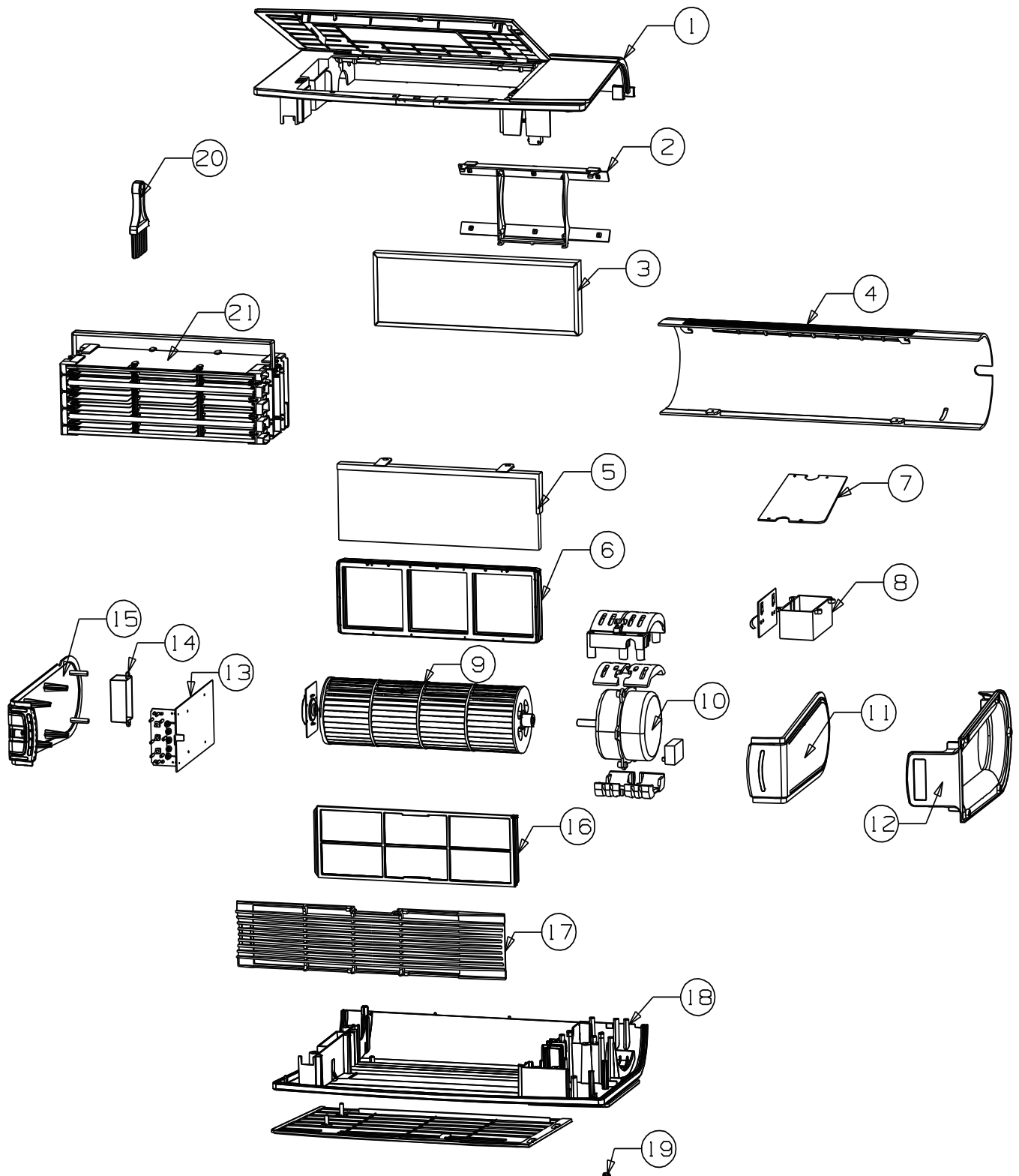


**Oreck  
Pro Shield  
Tabletop Air 12  
Purifier**

**AIR12B  
AIR12GU**

**REV B.**

**Part  
Diagram**



*Diagram is for representation purposes only.*

## Part Number Listing: AIR12B, AIR12GU

#	Item	Order #	Qty.	Pk.
1	<b>AIR12B:</b> Top Cover Assembly With Power Cord	21186-01	1	1
	<b>AIR12GU:</b> Top Cover Assembly With Power Cord	21187-01	1	1
2	<b>AIR12GU:</b> UV LED Assembly	21122-01	1	1
3	<b>AIR12GU:</b> PCO Filter	21121-01	1	1
4	Rear Exhaust w/2 Screws	21101-01	1	1
5	<b>AIR12B:</b> Ozone Filter, Retainer w/2 Screws	21119-01	1	1
6	<b>AIR12B:</b> VOC Filter Assembly	AP2PKP	1	1
7	<b>AIR12B:</b> Motor & Power Supply PCB (w/4 screws)	21109-01	1	1
	<b>AIR12GU:</b> Motor & Power Supply PCB (w/4 screws)	21110-01	1	1
8	<b>AIR12B:</b> High Voltage Power Supply & Contact Board (w/4 Screws)	21111-01	1	1
	<b>AIR12GU:</b> High Voltage Power Supply & Contact Board (w/4 Screws and PCO ground clip)	21175-01	1	1
9	Blower Wheel Assembly Kit	21191-01	1	1
10	Motor Assembly Kit (Includes 5 mounting screws and capacitor screw)	21188-01	1	1
11	<b>AIR12B:</b> Right End Panel Assembly w/black lens	21137-01	1	1
	<b>AIR12GU:</b> Right End Panel Assembly w/black lens	21138-01	1	1
12	<b>AIR12B:</b> Base (Includes opaque logo)	21139-01	1	1
	<b>AIR12GU:</b> Base (Includes clear logo)	21140-01	1	1
13	<b>AIR12B:</b> PCB w/4 screws	21151-01	1	1
	<b>AIR12GU:</b> PCB w/4 screws	21152-01	1	1
14	<b>AIR12B:</b> Ionizer Assembly (Includes brush fixing screw & 2 mounting screws)	1201-0048	1	1
15	<b>AIR12B:</b> Left End Panel Assembly (Includes buttons and lenses)	21149-01	1	1
	<b>AIR12GU:</b> Left End Panel Assembly (Includes buttons and lenses)	21150-01	1	1
16	Prefilter	21146-01	1	1
17	Grill Assembly Kit w/4 screws	21192-01	1	1
18	<b>AIR12B:</b> Bottom Housing Assembly Kit	21189-01	1	1
	<b>AIR12GU:</b> Bottom Housing Assembly Kit	21190-01	1	1
19	Rubber Feet for Bottom of Main unit	21134-01	4	1
20	Cleaning Brush	2900-2680	1	1
21	Collector Cell	21118-01	1	1
	<b>ITEMS NOT SHOWN</b>			
22	Rubber Feet for Base	21141-01	5	1
23	<b>AIR12GU:</b> UV LED Control PCB w/2 Screws	21154-01	1	1
24	Collector Cell Handle	21117-01	1	1
25	Internal Battery	21156-01	1	1
26	<b>AIR12GU:</b> Remote Control (Includes Battery)	21157-01	1	1
27	<b>AIR12GU:</b> Battery for Remote Control	21158-01	1	1

## Part Number Listing: AIR12B, AIR12GU continued

#	Item	Order #	Qty.	Pk.
28	7-Pin Flat Wiring Harness	21193-01	1	1
29	5-Pin Flat Wiring Harness	21194-01	1	1
30	<b>AIR12B:</b> 3-Pin Wiring Harness (W/Cell Detect and VOC Filter Detect switches)	21195-01	1	1
	<b>AIR12GU:</b> 3-Pin Wiring Harness (W/Cell Detect Switch)	21196-01	1	1
31	Owner's Manual	21159-01	1	1
32	Printed Carton	21160-01	1	1
33	End Support Packaging: Molded Pulp	21161-01	1	1
34	Replacement Ep Cell Wires	09-5510-0200	4	1
35	Side Packaging Supports: Folded Corrugate	21163-01	2	1