

S I M P L Y A M A Z I N G ®

Service Parts List



**Ultimate
Canister
CC1600**

Type 1

REV A

Data Label



Type Code: Represents product service revision number.

Type 1: Initial Production

Julian Date Code:

Represents date of manufacture.
01 Represents the year.
057 Represents the day in that year.

Service Information

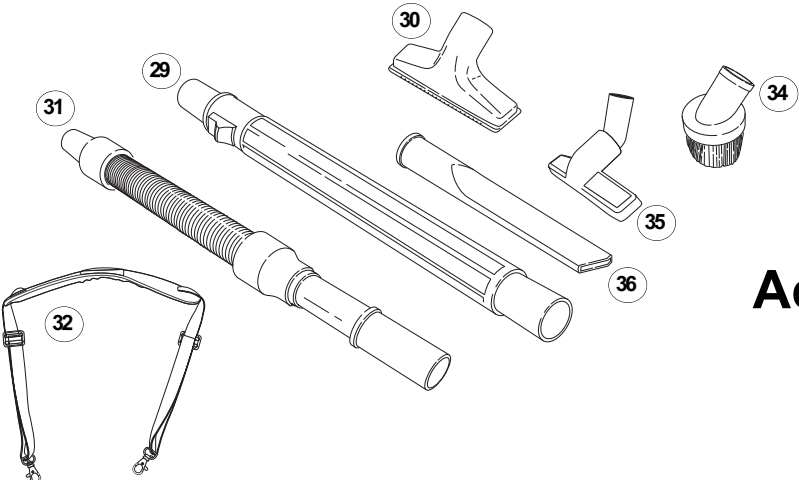
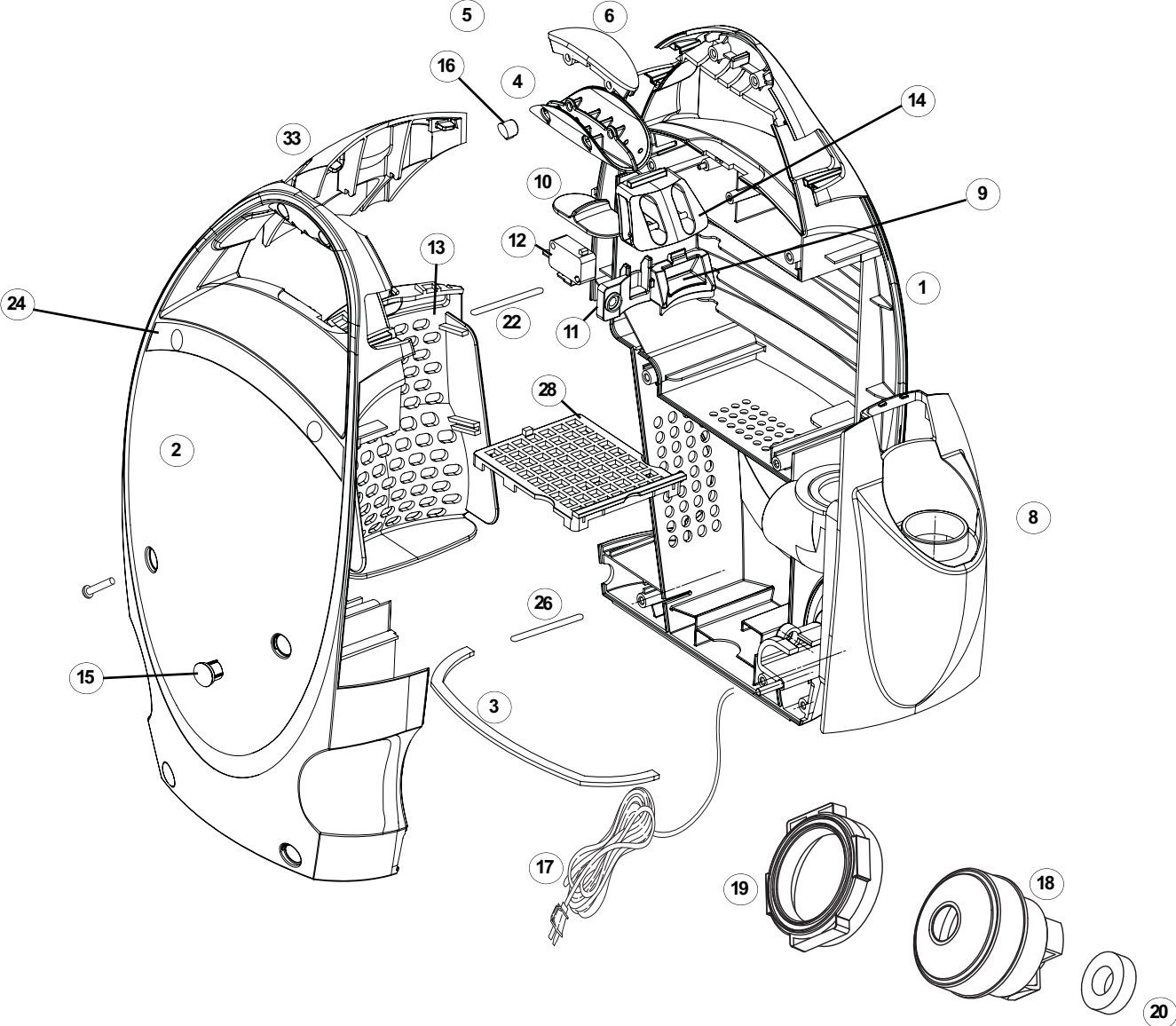
- 1 Component configuration on exploded view may differ in case of specific versions. However, the actual components are distinguished by means of item and part numbers.
- 1 If a repair has been made, make sure that all functions of the appliance are working correctly.
- 1 Spare parts have been standardized as much as possible and the part may not be the exact replacement part.
- 1 Do not use unit for prolonged periods w/full bag.

Standard Fastener Hardware Listing

#	FASTENER DESCRIPTION	FASTENER PART NO.	PART THAT FASTENER IS USED ON	QTY REQ'D	TORQUE RANGE (in/lb)	QTY PER PKG.		
37	Pin, .125 x .5	03-00474-01M	Carrying Strap	1	n/a	100		
38	Screw, #8 X 3/4	03-00476-01M	Main Body and Unit	4 / 4	11-13	100		
39	Screw, Black #8-10 x 1/2 PLT30	03-00674-01M	Handle and Grip	5	11-13	100		
40	Screw, 4-24 X 3/4" HI-LO	03-00686-01M	Switch	1	4-6	100		
41	Wire Nut 71B 16 - 22 AWG	03-00599-01M	Cord to Motor	1	35-55	100		

* Fastener Hardware may not be illustrated in the parts diagram

Parts Diagram



Accessories

Part Numbers Listing: CC1600

#	Item	Order #	Qty.	Pk.			
1	Body, Right Housing	73123-01-0327	1	1			
2	Body, Left Housing	73125-01-0327	1	1			
3	Pad, Foam Foot	73162-01	2	1			
4	Grip, Overmolded Gray	73124-01-0384	1	1			
5	Core, Black Grip	73128-01-0327	1	1			
6	Insert Handle	73138-01-0327	1	1			
7	Hinge, Black Door	73158-01-0327	1	1			
8	Door and Dirt Tube Assembly	09-73144-01	1	1			
9	Silver Door Latch Assembly	09-73169-01	1	1			
10	Silver Power Switch Knob	09-73166-01	1	1			
11	Latch Spring Retainer	73150-01-0327	1	1			
12	Power Switch	73139-01	1	1			
13	Filter Door Black	73133-01-0327	1	1			
14	Pin, Strap Holder	73147-01-0327	2	1			
15	Plug, Body	73176-01-0327	4	1			
16	Plug, Handle	73140-01-0384	2	1			
17	Power Cord	73005-04-327	1	1			
18	Motor	09-73058-01	1	1			
19	Motor Mount Large Front	72123-01-0327	1	1			
20	Motor Mount Rear	73044-01	1	1			
21	Micro Filter	72005-01	1	1			
22	Pin, Shoulder Strap	03-00680-01	2	1			
23	Gasket, Bag Housing	72017-02	1	1			
24	Decal, Ultimate Canister	73126-01M	2	10			
25	Seal, Base	75008-01	1	1			
26	Pin, Hinge	03-00682-01	2	1			
27	Hepa Filter	HF1000	1	1			
28	Micro Filter Grate	73175-01-438	1	1			

Accessories:

29	Wand, Extension Ratcheting	73081-01-0327	1	1			
30	Upholstery Tool, Black	72030-01-0327	1	1			
31	Hose Assy, Black Slinky, ShurLoc	73163-01-0327	1	1			
32	Strap, Shoulder CC1600	73159-01-0327	1	1			
33	Tool Caddy, Black	73135-01-0327	1	1			
34	Dusting Brush, Black	73027-01-0327	1	1			
35	Floor and Wall Brush, Black	73028-01-0327	1	1			
36	Crevice Tool, Black	72031-01-0327	1	1			

Troubleshooting

NOTICE: Make sure the unit is unplugged before removing any part off the unit.

1. Problem being checked:

a: Solution

1. Unit Not Picking Up:

- a: Check hoses and attachments for clog.
- b: Change bag.

2. Noisy:

- a: Remove any hard objects in bag.
- b: Motor fan may be off balance.

3. Unit Dead:

- a: If thermal protect on old motor is bad replace motor.
- b: If new motor, then unplug unit for 15 minutes; then try to restart. If unit does not come on then replace the manual reset thermal protect wire. If motor does not run, replace motor.
- c: Check switch for failure, if bad, replace switch.
- d: Check cord for failure, if bad, replace cord.

4. Unit Getting Over-Heated:

- a: Make sure motor is in place and not at an angle.
- b: Make sure motor has a thermal protect.
- c: Check bag.
- d: Check for obstructions in hose, door and/or accessories.
- e: Check for clog in rear filter.

An Oreck Authorized Service Center should do all technical servicing.