

ORECK[®] XL[®]

S I M P L Y A M A Z I N G[®]

Service Parts List

**EDGE Series
Upright Vacuum Cleaner**

U8000



REVA

Type 1

Service Information

- 1 Component configuration on exploded view may differ in case of specific versions. However, the actual components are distinguished by means of item and part numbers.
- 1 If a repair has been made, make sure that all functions of the appliance are working correctly.
- 1 Spare parts have been standardized as much as possible and the part may not be the exact replacement part.

Data Label



Type Code: Represents product service revision number.

Type 1: Initial Production

Julian Date Code:

Represents date of manufacture.

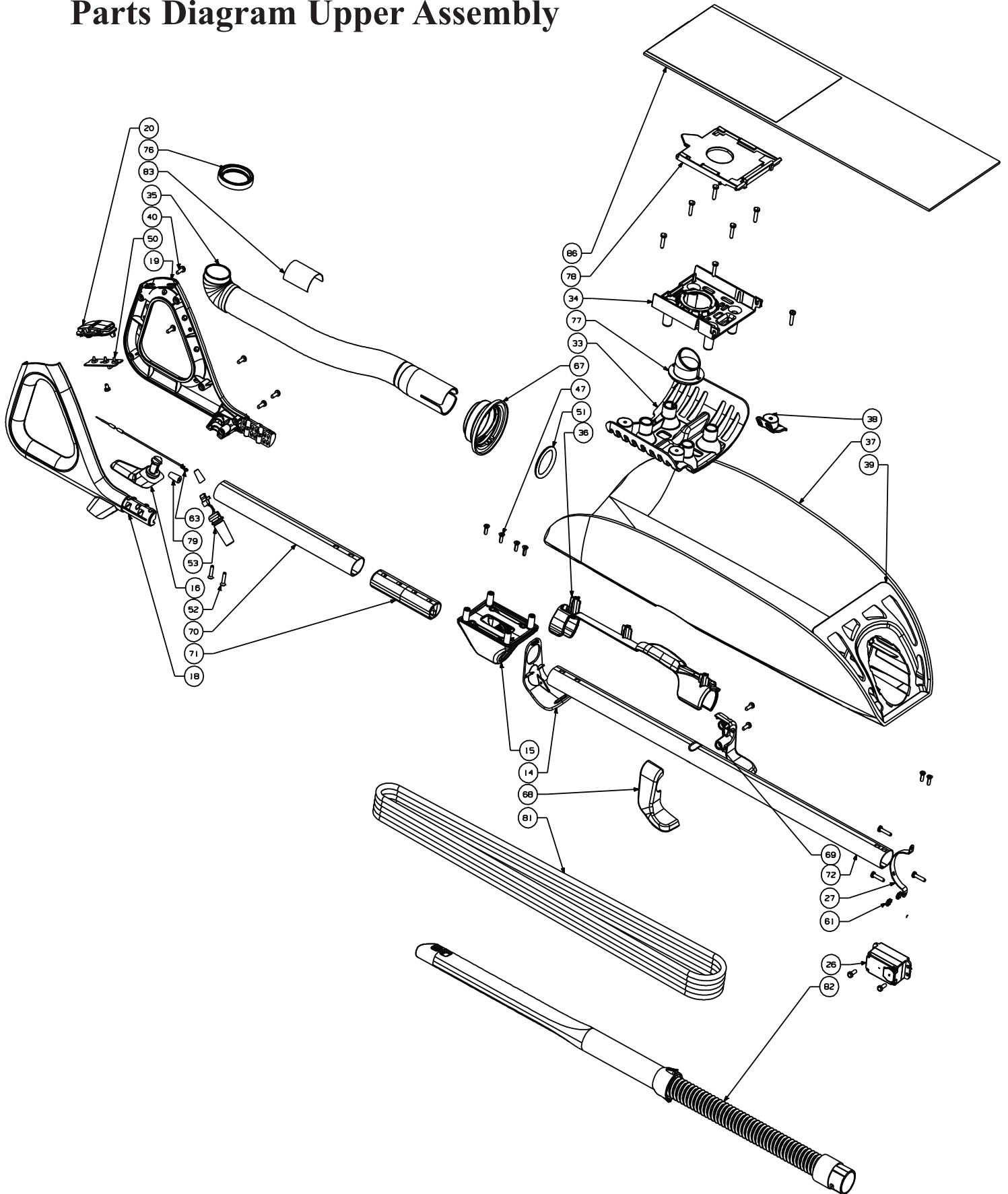
10 Represents the year.

061 Represents the day in that year.

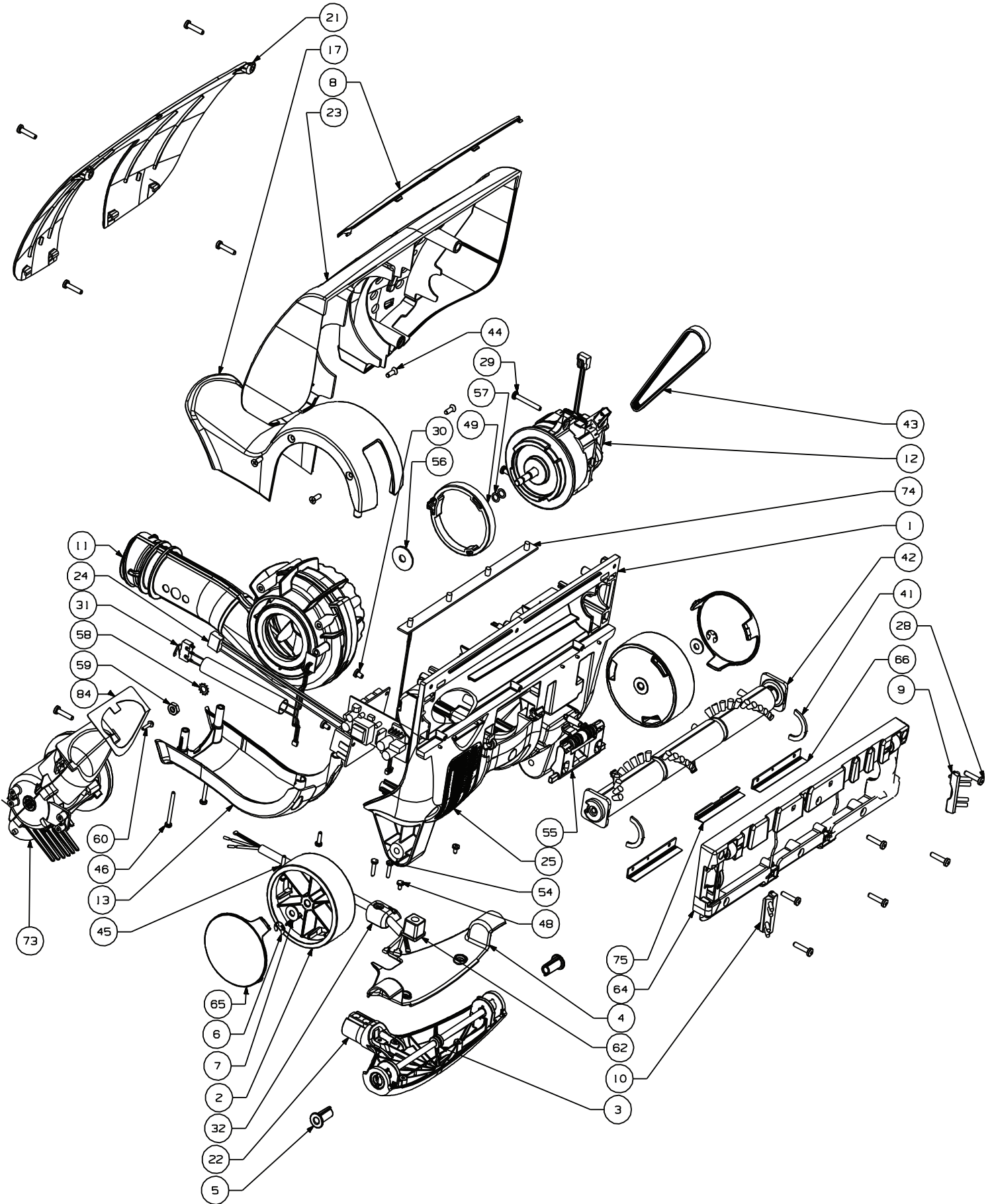
Standard Fastener Hardware Listing

#	PART FASTENER IS USED ON	FASTENER PART NO.	FASTENER DESCRIPTION	QTY REQ'D	TORQUE RANGE (in/lb)	QTY PER PKG.			
6	Baseplate Axles - Rear	03-00671-01	E Ring .250 Shaft	2					
28	Soleplate Valve body to Baseplate Top Cover Fascia Wand Holder Bag Dock	03-00677-01M	Black #8 -10 x 3/4"	6 4 4 7		100			
29	Motor	03751M	#8-10 X 1.25 PLT 30	2	13 - 16	100			
30	Main/Power/LED Board Switch Assy/All PCB's	03-00664-01M	#8-16 X 1/4" Plast Pan HD	2 1		25			
40	Lower Cord Wrap Assy Handle Valve Body Assy	03-00674-01M	Black #8-10 X 1/2 PLT30	2 6 2		25			
44	Fan Housing Scroll Cover	03-00669-01M	#8-16X1/2"PLST82DEG CSUNK	4		25			
45	Rear Scroll Cover Bottom	03-00665-01M	#6-19 X 1/2" Plast Pan	2		25			
46	Rear Scroll Cover Top	03-00672-01M	#6-19 X 1-1/2" Plast Pan	2		25			
47	Handle Tube Connection	03-00658-01M	#8-32 X 1/2" Trim Head	2 2	13 - 16	25			
48	Yoke Cover	03-00667-01M	#6-32X1/4" Pan Head Mach	2		25			
52	Handle to Tube Connector	03-00675-01M	#8-16X3/4"PLST82DEG CSUNK	2		25			
54	Wire Harness Overmold	03-00668-01M	#6-32 X 5/8" Pan Head Mac	2		25			
57	Motor	03-00479-01M	Thrust Fan Washer	2		100			
58	Motor Detent Scroll Assy	03-00480-01M	Lock Tooth Washer	1		100			
59	Fan Housing Assembly	03-00448-01M	1/4" - 32 (Left Hand)	1	18 - 20	100			
60	Valve To Motor	03-00676-01M	#4-40 X 9/16" SEMS	1		25			
61	Micro Switch	03-00663-01M	Palnut, .188 PIN/3/8" HEX	2		25			
79	Handle Wiring	03-00633-01M	Wire Nut, 72B 14-22 AWG	1		100			

Parts Diagram Upper Assembly



Parts Diagram Lower Assembly



EDGE SERIES UPRIGHTS
Part Numbers Listing: U8000

#	Item	Order #	Qty.	Pk.			
1	Baseplate	74046-01-0327	1	1			
2	Rear Wheel Assembly	74048-01-0327	2	1			
3	Axle Rear, .250 x 3.500	74028-01	2	1			
4	Yoke Cover	74081-01-0327	1	1			
5	Bushing Flanged .250 Shaft	74059-01-0327	2	1			
7	Washer, Nylon .260ID x .625OD	74086-01	2	1			
8	Lens	74005-01-0329	1	1			
9	Edge Brush Left	74101-01	1	1			
10	Edge Brush Right	74102-01	1	1			
11	Fan Housing Assembly	09-74201-01	1	1			
12	Motor Kit <i>(Includes Motor, Felt Seal and Black Detent Ring)</i>	09-74019-51	1	1			
13	Rear Scroll Cover	74006-01-0327	1	1			
14	Lower Cord Wrap Top Side	74096-01-474	1	1			
15	Slider Assembly	09-74203-01	1	1			
16	Cord Dump	74056-01-474	1	1			
17	Front Scroll Cover	74218-01-488	1	1			
18	Right Grip Assembly	09-74053-01	1	1			
19	Left Grip Assembly	09-74055-01	1	1			
20	Button Assembly	09-74206-01	1	1			
21	Fascia	74208-01-488	1	1			
22	Yoke	74031-01	1	1			
23	Top Cover With Overmold	09-74044-01	1	1			
24	Main Circuit Board	74069-01	1	1			
25	Power Supply Board	74032-01	1	1			
26	Servo Motor (see item #73)						
27	Valve Body Retainer	74011-01	1	1			
31	Hall-Effect Sensor Board	74108-01	1	1			
32	Wire Harness	74075-01	1	1			
33	Upper Bag Stiffener	74065-01-0327	1	1			
34	Rear Dock	74077-01-0327	1	1			
35	Inner Dirt Tube	74063-01-0327	1	1			
36	Wand Holder	74049-01-0327	1	1			
37	Outer Bag	74064-01	1	1			
38	Wand Holder Clip	74095-01-0327	1	1			
39	Lower Bag Stiffener	74061-01-0327	1	1			
41	Gasket, Brushroll Base Plate	74100-01	4	1			
42	Brushroll	74119-01	1	1			
43	Belt, Serpentine	74070-02	1	1			
49	Detent Ring	74090-01-0327	1	1			
50	Handle Switch Circuit Board	74088-01	1	1			

EDGE SERIES UPRIGHTS
Part Numbers Listing: U8000

#	Item	Order #	Qty.	Pk.			
51	O-Ring	74085-01	1	1			
55	Lifter Wheel Assembly	09-74204-01	1	1			
56	Felt Motor Seal (<i>See item #12</i>)						
62	Heyco	03-00600-01	1	1			
63	Handle Ground Wire	74217-01	1	1			
64	Sole Plate Assembly	09-74205-01	1	1			
65	Cap, Rear Wheel Hub	74091-01-0327	2	1			
66	Squeegee	74106-01	2	1			
67	Collar, Black	74062-01-0327	1	1			
68	Lower Cord Wrap, Right	74051-01-0327	1	1			
69	Lower Cord Wrap, Left	74050-01-0327	1	1			
70	Upper Handle Tube	74042-01	1	1			
71	Outer Tube Connector	74030-01	1	1			
72	Lower Handle Tube	74029-01	1	1			
73	Valve Body Assembly (<i>Includes Servo Motor and Gaskets</i>)	09-74200-51	1	1			
74	LED Board with Harness	74092-01	1	1			
75	Squeegee Center	74121-01	1	1			
76	Inner Dirt Tube Flange	74083-01-0327	1	1			
77	Rubber Lead	87601+008+4280	1	1			
78	Front Bag Dock	87601+008+5370	1	1			
81	Power Cord 30'	74073-01-327	1	1			
82	Hose Assembly	74015-01	1	1			

