

ORECK[®] XI_{III}[®]

S I M P L Y A M A Z I N G[®]

Service Parts List



REV AQ., Please disregard all earlier versions.

ORBITER
ORB300
ORB400
ORB480E
ORB480UK
ORB480AZ
ORB550MC
ORB550MD
ORB550BD
ORB550MW
ORB600MW
ORB600B
ORB600BONUS
ORB555MC
ORB556MC
ORB557MC
ORB700MB
ORB700BONUS

Troubleshooting

Notice: Make sure the unit is unplugged before removing any part off the unit.

1. **Problem Being Checked:**
 a. Solution

1. **Unit Does Not Come On:**
 - a. Check motor for failure. If bad, replace motor. *Induction motor failure is unlikely.
 - b. Check cord for failure. If bad, replace cord.
 - c. Check switch for failure. If bad, replace switch.
 - d. Check relay for failure. If bad, replace relay.
2. **Unit Does Not Turn Off:**
 - a. Replace relay.
3. **Pan Does Not Spin:**
 - a. Hold the flywheel in place with fingers. If the pan **does not** spin, replace the ball bearing assembly. If the pan spins, replace the relay.
4. **Unit Makes a Squeaking/Rattling Noise:**
 - a. Place white petroleum jelly on handle pins and on the spring (only on the side towards the top of the unit) or add nylon spring (item #58) under metal spring (item #40).

NOTE: To remove flywheel, place a flat head screwdriver on motor shaft. While holding screwdriver in place, turn the flywheel counterclockwise.

An Oreck Authorized Service Center should do all technical servicing.

Orbiter Accessories: ORB300, ORB400, ORB480, ORB550, ORB600 & ORB700

Item	Order #	Qty.	Pk.			
DRIVE PAD HOLDER	53178-51-0327	1	1			
DRIVE PAD BRUSH	237147	1	1	NLA	NLA	NLA
POLISH PAD - WHITE	437051	1	1			
SCRUB PAD - BROWN	437049	1	1			
STRIP PAD - BLACK	437071	1	1			
MARBLE POLISHING PAD - BEIGE	437058	1	1			
SHAMPOO BRUSH - BLACK BRISTLE	237049	1	1			
POLISHING BRUSH - UNION MIX - TAN BRISTLES	237048	1	1			
SCRUB BRUSH - ORANGE BRISTLES	237047	1	1			
GRIT BRUSH - GRAY BRISTLES	237056	1	1			
LAMB WOOL BONNET	437054	1	1			
CARPET SHAMPOO BONNET	437053	1	1			
SAND SCREENS - USED FOR SANDING						
60 GRIT	SS12060	1	1			
80 GRIT	SS12080	1	1			
100 GRIT	SS12100	1	1			
120 GRIT	SS12120	1	1	NLA	NLA	NLA
ORBITER SHAMPOO TANK	237050	1	1			
ORECK DRY SHAMPOO	OC8	1	1	NLA	NLA	NLA
ORECK DRY SHAMPOO KIT	303088	1	1			
SOIL RELEASE PRE-SPRAY, QUART	32777	1	1			
SOIL RELEASE PRE-SPRAY, GALLON	35777	1	1			
SOFT CARPET BRUSH	237046	1	1			
QUICK SAND DISKS ARE NO LONGER AVAILABLE						

Standard Fastener and Hardware Listing: ORB300, ORB400 & ORB480

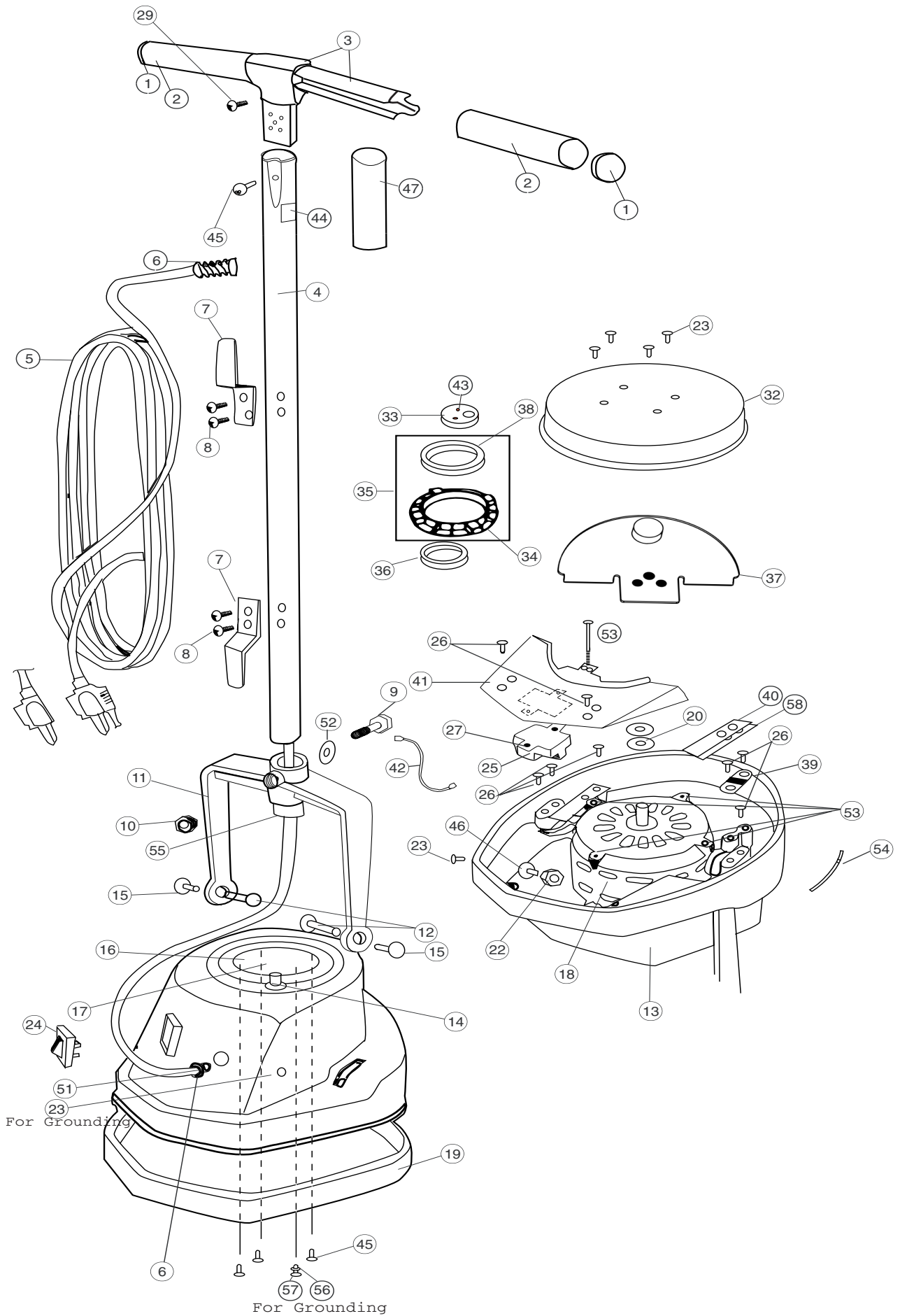
#	Item	Order #	Pk.	Qty Req'd		
8	SCREW- HANDLE (400/480 SERIES) 10 X 1/2 SM SLT PAN	03-00450-01M	100	4		
9	BOLT - HANDLE 1/4 X 20 X 1 7/8	03-00585-01M	100	1		
10	NUT - HANDLE 1/4 X 20 LOCK	03-00526-01M	100	1		
20	WASHER - MOTOR SPACER, FLAT 3/8" ID	03-00532-01M	100	2		
22	NUT, #8, SECURES GROUND WIRE	03-00533-01M	100	1		
23	SCREW, #8 X 32 X 1/2 FILLISTER	03-00534-01M	100	5		
26	SCREW, #10 X 24 X 7/16 W/PATCH	03-00535-01M	100	8		
27	PLASTIC RIVET NYLON	03-00536-01M	100	2		
43	FLAT HEAD CAP SCREW - ALLEN SOCKET 3/4 X 20 X 3/4	03-00537-01M	100	2		
45	SCREW, #6X32X5/16"	03-00531-01M	100	5		
46	NUT WITH EXTERNAL TOOTH WASHER, #8	03-00539-01M	100	1		
52	WASHER, 1/4" FLAT	03-00548-01M	100	1		
53	BOLT, MOTOR	03-00596-01	1	4		
56	WASHER, GROUNDING	03-00447-01M	100	1		
57	SCREW, #6-32 x 3/8", GROUNDING	03-00620-01M	100	1		

Standard Fastener and Hardware Listing: ORB550 Series, ORB555MC, ORB557MC, ORB600 Series & ORB700 Series

#	Item	Order #	Pk.	Qty Req'd		
3	SCREW- COVER SWITCH, #6 X 3/4 BLACK	03-00528-01M	100	4		
8	SCREW- CORD WRAPS 10 X 1/2 SM SLT PAN	03-00450-01M	100	4		
9	BOLT - HANDLE 1/4 X 20 X 1 7/8	03-00585-01M	100	1		
10	NUT - HANDLE, 1/4 X 20 LOCK 1/4 X 20 LOCK	03-00526-01M	100	1		
20	WASHER - MOTOR SPACER, FLAT 3/8" ID	03-00532-01M	100	2		
22	NUTS (SECURE GROUND WIRE), #8	03-00533-01M	100	1		
23	SCREW #8 X 32 X 1/2 FILLISTER	03-00534-01M	100	5/4*		
26	SCREW #10 X 24 X 7/16, PATCH	03-00535-01M	100	12		
27	PLASTIC RIVET NYLON	03-00536-01M	100	2		
28	ORB550 / ORB600 SERIES / ORB700 SERIES: WIRE NUT	03-00633-01M	100	3		
28a	ORB555MC / ORB557MC: WIRE BUTT	03-00432-02M	100	3		
29	GROUND SCREW, #8 X 1/4 X 32	03-00527-01M	100	1		
30	BRASS INSERT	03-00540-01M	100	1		
43	FLAT HEAD CAP SCREW - ALLEN SOCKET 3/4 X 20 X 3/4	03-00537-01M	100	2		
46	NUT WITH EXTERNAL TOOTH WASHER (GROUND WIRE)	03-00539-01M	100	1		
48	SCREW - 6X32X5/16" GRILL	03-00531-01M	100	5/4*		
52	WASHER, 1/4" FLAT	03-00548-01M	100	1		
53	ORB550 SERIES: BOLT, MOTOR, #10 x 24 HEX 4.86" W/EXT WASH	03-00596-01	1	4		
	ORB600 SERIES: BOLT, MOTOR, #8 x 32 HEX 4.58" W/EXT WASH	03-00632-01	1	4		
56	WASHER, GROUNDING	03-00477-01M	100	1		
57	SCREW, #6-32 x 3/8", GROUNDING	03-00620-01M	100	1		
60	SCREW, #10-24 X 7/16 FLAT HEAD	03-00628-01M	100	4		

*quantity used on ORB600

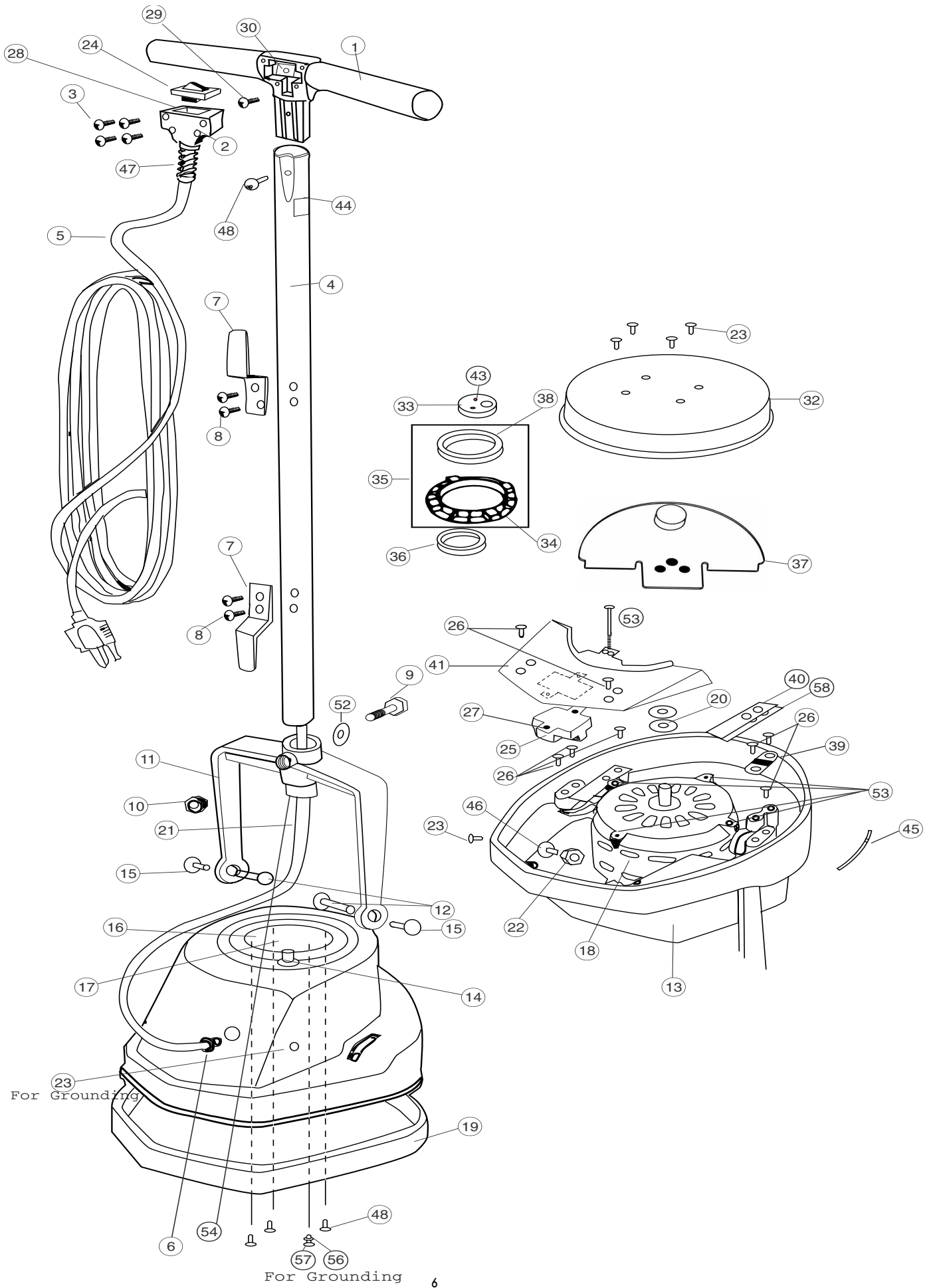
ORB300, ORB400 & ORB480



Part Numbers Listing: ORB300, ORB400 & ORB480

#	Item	Order #	Qty.	Pk.			
1	T- HANDLE END CAPS	120180	2	1			
2	T- HANDLE GRIPS	120181	2	1	NLA	NLA	NLA
3	T- HANDLE	53140-02-0327	1	1			
4	HANDLE TUBE, CHROME (400 SERIES)	53141-03	1	1			
4A	HANDLE TUBE (300 SERIES)	130156	1	1	NLA	NLA	NLA
5	CORD SET, RED (400 SERIES)	53142-01-451	1	1	NLA	NLA	NLA
5A	CORD SET, WHITE (300 SERIES)	130000	1	1			
5B	CORD SET, BLACK, EUROSTYLE (480E SERIES) ORDER 49 & 50	53143-01-327	1	1			
5C	CORD SET, BLACK, UK (480 SERIES) ORDER 49 & 50	53351-01-327	1	1			
5D	CORD SET, BLACK, (480AZ SERIES) ORDER 49 & 50	53145-01-327	1	1			
6	HEYCO STRAIN RELIEF (400 SERIES)	03-00520-01	1	1			
6A	HEYCO STRAIN RELIEF (300 SERIES)	120002	1	1			
6B	HEYCO STRAIN RELIEF AT TUBE (480 SERIES)	03-00521-01	1	1			
6C	HEYCO STRAIN RELIEF AT HOUSING (480 SERIES)	03-00455-02	1	1			
7	CORD HOOKS, CHROME	53147-02	2	1			
11	YOKE	53148-01	1	1			
12	HANDLE PIN	03-00529-01	2	1			
13	MAIN BODY HOUSING	53149-01	1	1			
14	RESET BUTTON	53150-01-451	1	1			
15	DELTRIN BUSHING	53237-01	2	1			
16	GRILL (MOTOR COVER)	53151-01	1	1			
17	LABEL, ROUND, RED	53371-01	1	1			
18	MOTOR KIT (120 VOLT) (400 & 300 SERIES)	09-53152-01	1	1			
18A	MOTOR KIT (230 VOLT) (480 SERIES)	09-53153-01	1	1			
19	BUMPER	53154-01-451	1	1			
24	SWITCH ROCKER (300/400 SERIES)	53155-01	1	1			
25	RELAY - (120 VOLT) (400 SERIES)	53157-01	1	1			
25A	RELAY - (120 VOLT) (300 SERIES)	120500	1	1			
25B	RELAY - (230 VOLT) (480 SERIES)	53158-01	1	1			
32	BRUSH HOLDER PAN	53159-01-0000	1	1			
33	PLUG BEARING	53160-01	1	1			
34	BEARING RETAINER	53162-01	1	1			
35	RETAINER BEARING & BALL BEARING ASSEMBLY	09-53266-51	1	1			
36	SPACER BEARING	53163-01	1	1			
37	FLYWHEEL	09-53335-02	1	1			
38	BEARING	53161-01	1	1			
39	PILLOW BLOCK (YOKE PIN HOLDER)	53165-01	2	1			
40	SPRING	53166-01	2	1			
41	PLATE COVER	53167-03	1	1			
42	5" LEAD WIRE WITH TERMINALS	53170-51	1	1			
44	WARNING LABEL	53172-02	1	1			
47	INSULATOR TUBE (480 SERIES)	53173-01-0327	1	1	NLA	NLA	NLA
49	CONNECTOR BUTT, BRA 2280 (480 SERIES)	53275-01	1	1			
50	SLIDE, QUICK 1/4" (480 SERIES)	53138-01	1	1			
51	STRAIN RELIEF (480 SERIES)	03-00455-02	1	1			
	STRAIN RELIEF (400 SERIES)	03-00520-01	1	1			
54	CABLE TIE	03-00404-01	1	1			
	LABEL, ORECK (NOT SHOWN)	53368-01	1	1			
55	HEYCO STRAIN RELIEF, WHITE (400 SERIES)	03-00637-01	1	1			
	HEYCO STRAIN RELIEF (480 SERIES)	03-00520-01	1	1			
58	SPRING, NYLON	53337-01	2	1			

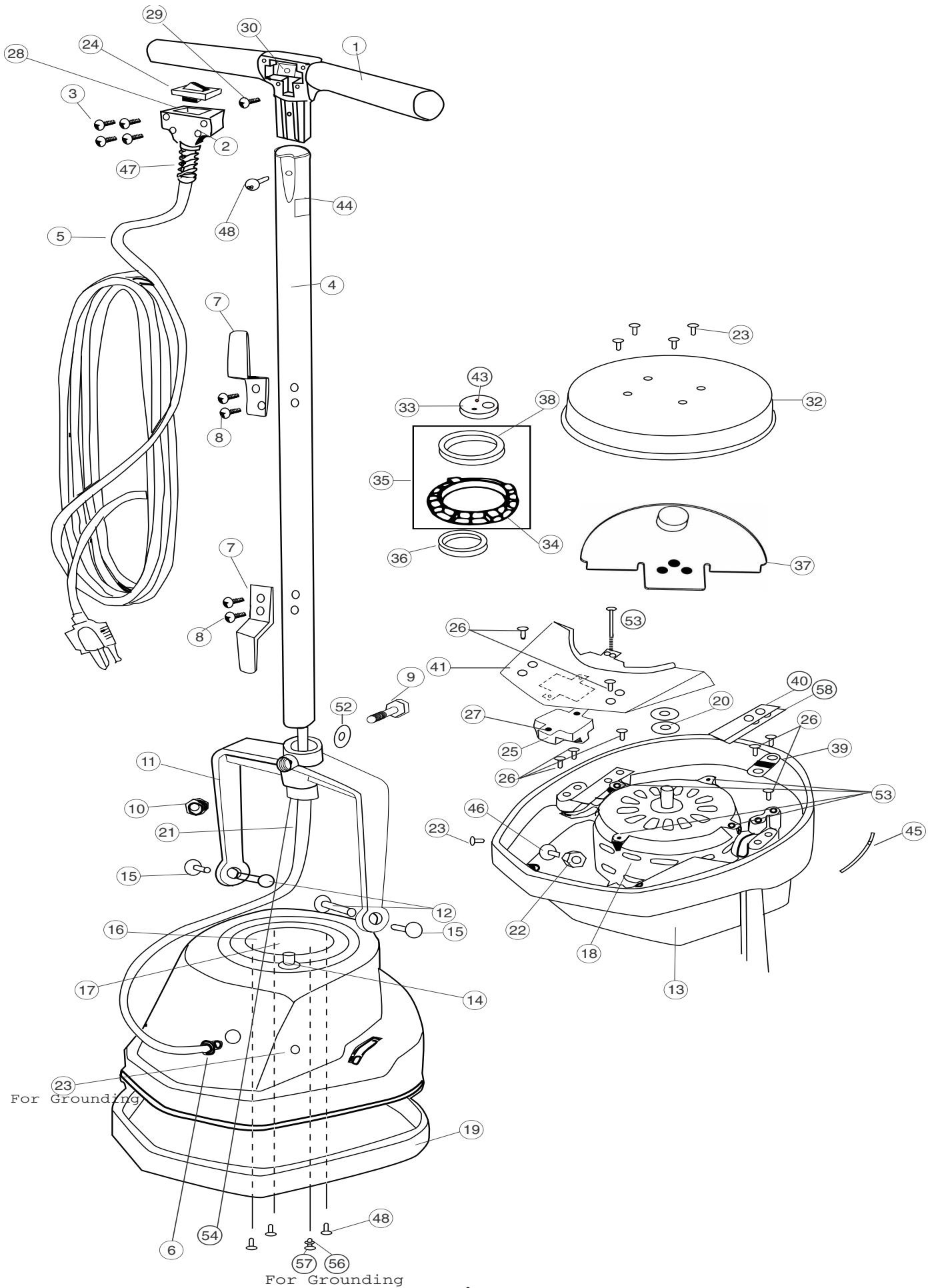
ORB550 Series



Part Numbers Listing: ORB550MC, ORB550MD, ORB550BD & ORB550MW

#	Item	Order #	Qty.	Pk.			
1	T-HANDLE, BLACK (ORB550MC)	53140-02-0327	1	1			
	T-HANDLE, BLUE (ORB550MD / ORB550BD / ORB550MW)	53140-02-438	1	1			
2	COVER SWITCH	53258-01-0327	1	1			
4	TUBE, CHROME	53141-03	1	1			
5	POWER CORD, RED 30'	53146-01-451	1	1			
6	STRAIN RELIEF	03-00520-01	1	1			
7	CORD HOOKS, CHROME	53147-02	2	1			
11	YOKE, PAINTED (ORB550MC / ORB550MD / ORB550BD)	53148-01	1	1			
	YOKE, WHITE (ORB550MW)	53148-02	1	1			
12	HANDLE PIN	03-00529-01	2	1			
13	MAIN BODY HOUSING, PAINTED (ORB550MC / MD / BD)	53416-01	1	1			
	MAIN BODY HOUSING, CHROME (ORB550MW)	53149-05	1	1			
14	RESET BUTTON, RED	53150-01-451	1	1			
15	DELTRIN BUSHING	53237-01	2	1			
16	GRILL (MOTOR COVER), CHROME	53151-05	1	1			
17	LABEL, ORBITER, RED (ORB550MC / ORB550MW)	53371-01	1	1			
	LABEL, ORBITER, BLUE (ORB550MD / ORB550BD)	53371-02	1	1			
18	MOTOR KIT	09-53152-01	1	1			
19	BUMPER, BLUE (ORB550MD / ORB550BD / ORB550MW)	53154-01-438	1	1			
	BUMPER, RED (ORB550MC)	53154-01-451	1	1			
21	PIGTAIL	53169-01	1	1			
24	SWITCH ROCKER	53156-01	1	1			
25	RELAY	53157-01	1	1			
32	BOTTOM PAN	53159-01-0000	1	1			
33	PLUG BEARING	53160-01	1	1			
34	BEARING RETAINER	53162-01	1	1			
35	RETAINER BEARING & BALL BEARING ASSEMBLY	09-53266-51	1	1			
36	SPACER	53163-01	1	1			
37	FLYWHEEL W/ COUNTERWEIGHT	09-53335-02	1	1			
38	BEARING	53161-01	1	1			
39	PILLOW BLOCK (YOKE PIN HOLDER)	53165-01	2	1			
40	SPRING	53166-01	2	1			
41	PLATE COVER	53167-03	1	1			
44	WARNING LABEL	53172-02	1	1			
45	CABLE TIE	03-00404-01	1	1			
47	STRAIN RELIEF	03-00522-01	1	1			
54	STRAIN RELIEF	03-00637-01	1	1			
58	SPRING, NYLON	53337-01	2	1			
	LABEL, XLPRO, RED (NOT SHOWN) (ORB550MC / MW)	53368-01	1	1			
	LABEL, XLPRO, BLUE (NOT SHOWN) (ORB550MD / BD)	53368-02	1	1			
	MANUAL, OWNER'S	53367-01	1	1			

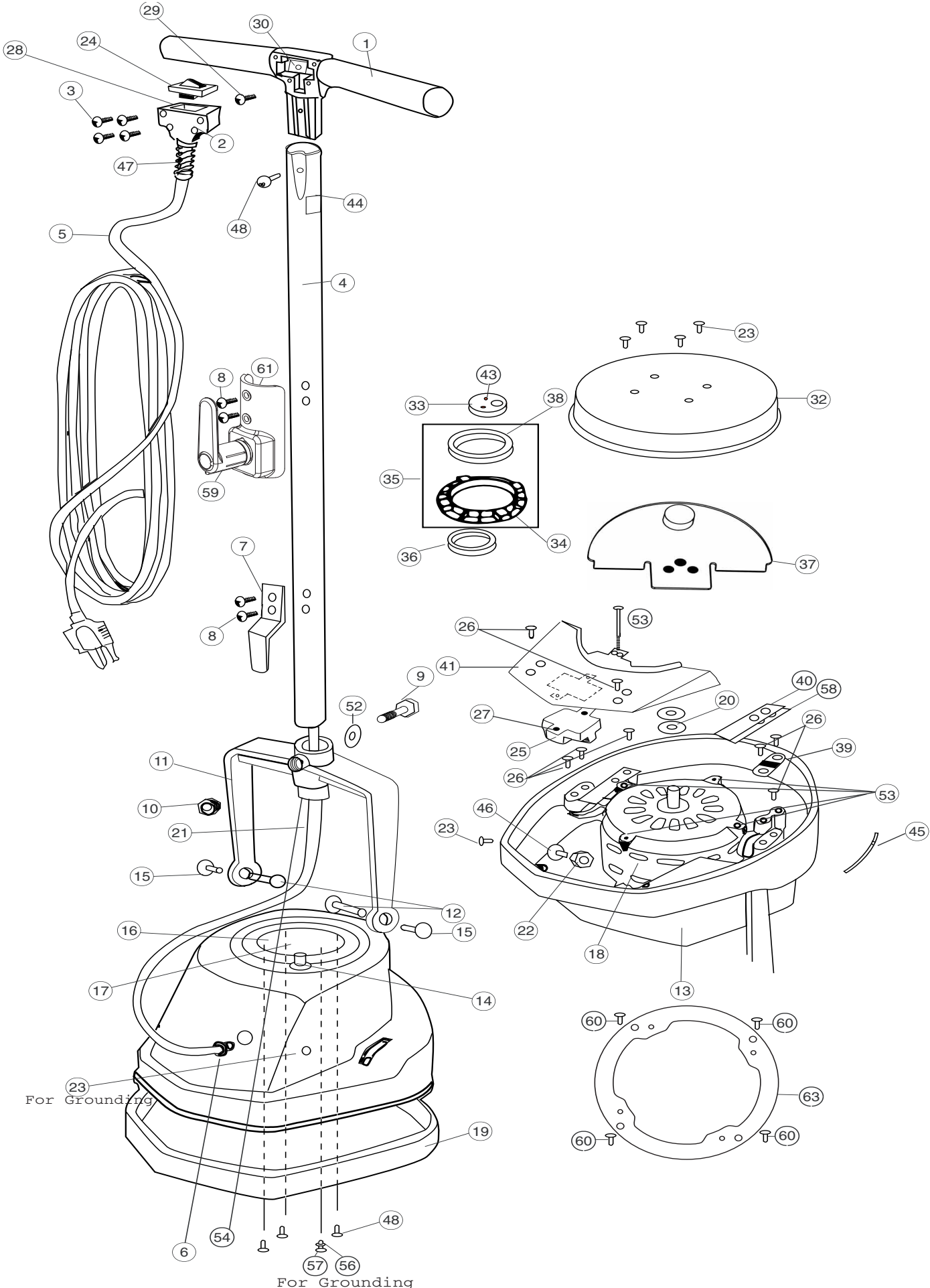
ORB555MC, ORB556MC & ORB557MC



Part Numbers Listing: ORB555MC, ORB556MC & ORB557MC

#	Item	Order #	Qty.	Pk.			
1	T-HANDLE, BLACK	53140-02-0327	1	1			
2	COVER SWITCH	53258-03-0327	1	1			
4	TUBE, CHROME	53141-03	1	1			
5	POWER CORD, BLACK (ORB555MC)	53351-01-327	1	1			
	POWER CORD, BLACK (ORB556MC)	53406-01-327	1	1			
	POWER CORD, BLACK (ORB557MC)	53350-01-327	1	1			
6	STRAIN RELIEF	03-00455-02	1	1			
7	CORD HOOKS, CHROME	53147-02	2	1			
11	YOKE, PAINTED	53148-01	1	1			
12	HANDLE PIN	03-00529-01	2	1			
13	MAIN BODY HOUSING, PAINTED	53416-01	1	1			
14	RESET BUTTON, RED	53150-01-451	1	1			
15	DELTRIN BUSHING	53237-01	2	1			
16	GRILL (MOTOR COVER), PAINTED	53151-01	1	1			
17	LABEL, ORBITER, RED	53371-01	1	1			
18	MOTOR KIT	09-53153-01	1	1			
19	BUMPER, RED	53154-01-451	1	1			
21	HARNESS	53349-01-327	1	1			
24	SWITCH ROCKER	53156-01	1	1			
25	RELAY	53158-01	1	1			
32	BOTTOM PAN	53159-01-0000	1	1			
33	PLUG BEARING	53160-01	1	1			
34	BEARING RETAINER	53162-01	1	1			
35	RETAINER BEARING & BALL BEARING ASSEMBLY	09-53266-51	1	1			
36	SPACER	53163-01	1	1			
37	FLYWHEEL W/ COUNTERWEIGHT	09-53335-02	1	1			
38	BEARING	53161-01	1	1			
39	PILLOW BLOCK (YOKE PIN HOLDER)	53165-01	2	1			
40	SPRING	53166-01	2	1			
41	PLATE COVER	53167-03	1	1			
44	WARNING LABEL	53172-02	1	1			
45	CABLE TIE	03-00404-01	1	1			
47	STRAIN RELIEF	03-00521-01	1	1			
54	STRAIN RELIEF	03-00455-02	1	1			
58	SPRING, NYLON	53337-01	2	1			
	LABEL, XLPRO, RED (NOT SHOWN)	53368-01	1	1			
	MANUAL, OWNER'S (ORB555MC / ORB557MC)	53347-05	1	1			
	MANUAL, OWNER'S (ORB556MC)	53407-01	1	1			

ORB600 Series & ORB700 Series



Part Numbers Listing: ORB600MW, ORB600B, ORB600BONUS, ORB700MB, ORB700BONUS

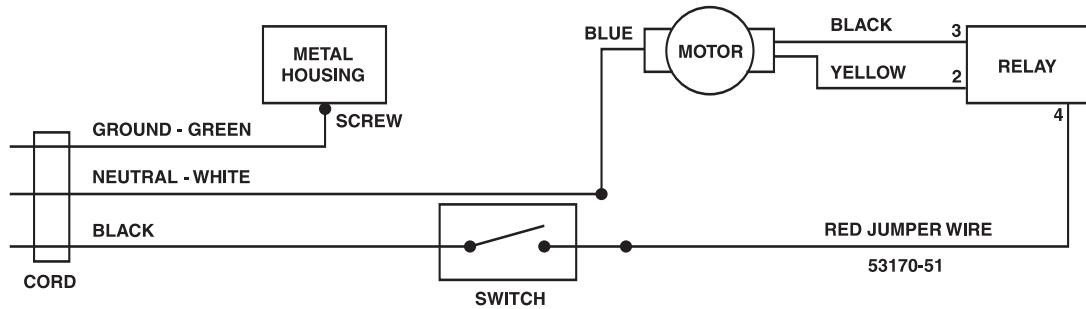
#	Item	Order #	Qty.	Pk.			
1	T-HANDLE, CLEAR BLUE (ORB600 SERIES)	53140-02-455	1	1			
	T-HANDLE, BLACK (ORB700 SERIES)	53140-02-0327	1	1			
2	COVER, SWITCH, WHITE (ORB600 SERIES)	53258-02-453	1	1			
	COVER, SWITCH, BLACK (ORB700 SERIES)	53258-02-0327	1	1			
4	TUBE, CHROME	53141-03	1	1			
5	POWER CORD, BLACK 30'	53336-01-327	1	1			
6	STRAIN RELIEF	03-00520-01	1	1			
7	CORD HOOKS, CHROME	53147-02	1	1			
11	YOKE, WHITE (ORB600 SERIES)	53148-02	1	1			
	YOKE, BLACK (ORB700 SERIES)	53148-03	1	1			
12	HANDLE PIN	03-00529-01	2	1			
13	MAIN BODY HOUSING, WHITE (ORB600 SERIES)	53149-04*	1	1			
	MAIN BODY HOUSING, BLACK (ORB700 SERIES)	53416-02	1	1			
14	RESET BUTTON, RED (ORB700 SERIES)	53150-01-451	1	1			
15	DELRIN BUSHING	53237-01	2	1			
16	GRILL (MOTOR COVER), CHROME	53151-05	1	1			
17	LABEL, ROUND, ORECK, BLUE/WHITE (ORB600 SERIES)	53341-02	1	1			
	LABEL, ROUND, ORECK, ALUMINUM / BLACK (ORB700 SERIES)	53341-03	1	1			
18	MOTOR KIT (ORB600 SERIES)	09-53340-01	1	1			
	MOTOR KIT (ORB700 SERIES)	09-53411-01	1	1			
19	BUMPER, CLEAR BLUE (ORB600 SERIES)	53154-01-455	1	1			
	BUMPER, SMOKE (ORB700 SERIES)	53154-01-460	1	1			
21	PIGTAIL	53169-01	1	1			
24	SWITCH ROCKER	53156-01	1	1			
25	RELAY	53157-01	1	1			
32	BOTTOM PAN	53159-01-0000	1	1			
33	PLUG BEARING	53160-01	1	1			
34	BEARING RETAINER	53162-01	1	1			
35	RETAINER BEARING & BALL BEARING ASSEMBLY	09-53266-51	1	1			
36	SPACER	53163-01	1	1			
37	FLYWHEEL W/ COUNTERWEIGHT	09-53335-02	1	1			
38	BEARING	53161-01	1	1			
39	PILLOW BLOCK (YOKE PIN HOLDER)	53165-01	2	1			
40	SPRING	53166-01	2	1			
41	PLATE COVER	53167-03	1	1			
44	WARNING LABEL	53172-02	1	1			
45	CABLE TIE	03-00404-01	1	1			
47	STRAIN RELIEF	03-00621-01	1	1			
54	STRAIN RELIEF	03-00637-01	1	1			
58	SPRING, NYLON	53337-01	2	1			
59	ASSY, CORD WRAP & POST, GRAY	09-75185-06	1	1			
61	BRACKET, CORD DUMP, GRAY	53412-01-436	1	1			
62	MOTOR PLATE (ORB600 SERIES)	53333-01	1	1			
	LABEL, CURVED, ORBITER, ALUMINUM / BLACK (ORB600 SERIES)	53342-02	1	1			
	LABEL, CURVED, ORBITER, ALUMINUM / BLACK (ORB700 SERIES)	53342-03	1	1			
	MANUAL, OWNER'S	53367-01	1	1			

***DOES NOT NEED MOTOR PLATE. IF ORDERING THIS PART, ORDER # 41 ALSO.**

WIRING DIAGRAM FOR ORBITER 400 & 480 SERIES

IMPORTANT SAFETY NOTES:

- UNPLUG UNIT BEFORE SERVICING.
- REPLACEMENT OF MOTORS SHOULD ONLY BE DONE BY AN EXPERIENCED ELECTRICIAN OR AN AUTHORIZED ORECK SERVICE CENTER.



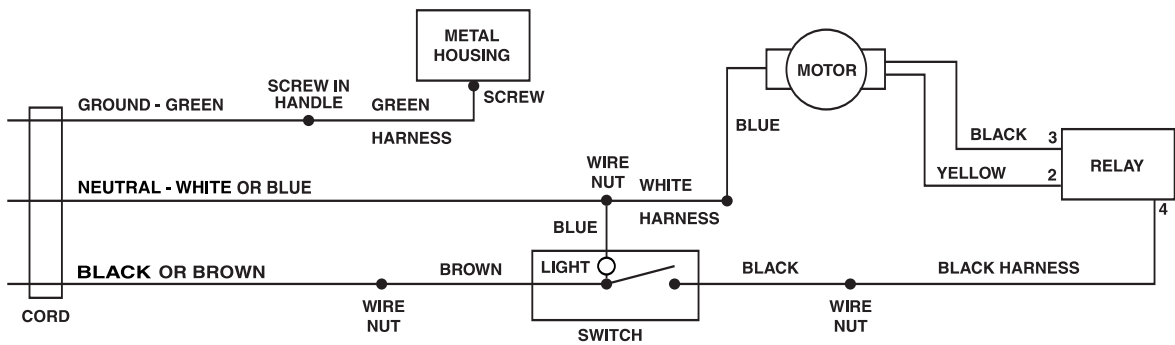
WIRING DIAGRAM ORBITER

53276-01

WIRING DIAGRAM FOR ORBITER 550, 600 & 700 SERIES

IMPORTANT SAFETY NOTES:

- UNPLUG UNIT BEFORE SERVICING.
- REPLACEMENT OF MOTORS SHOULD ONLY BE DONE BY AN EXPERIENCED ELECTRICIAN OR AN AUTHORIZED ORECK SERVICE CENTER.



WIRING DIAGRAM ORBITER

53277-01